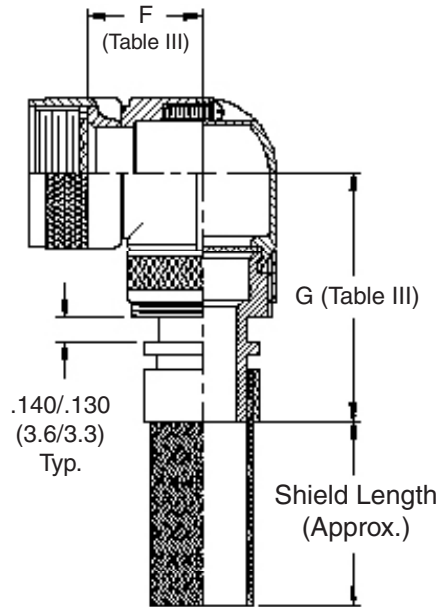
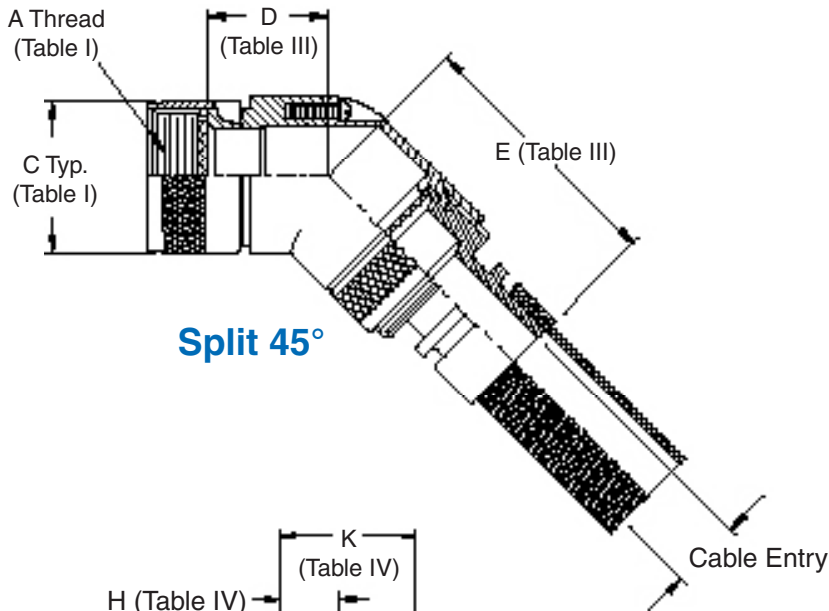
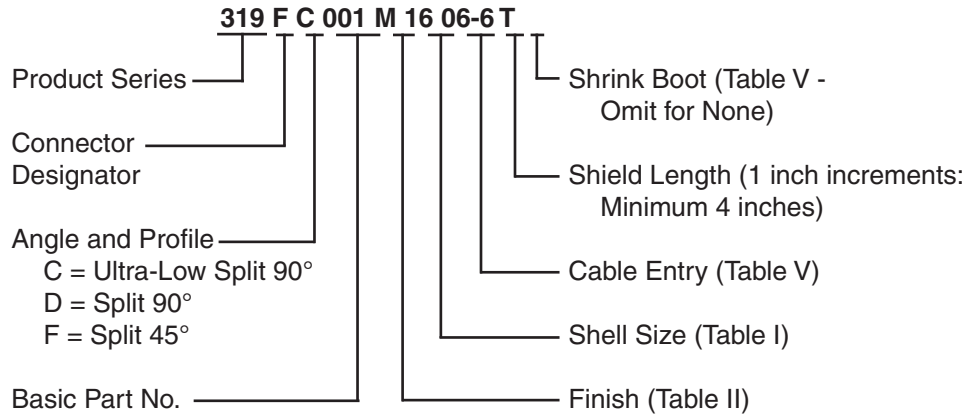
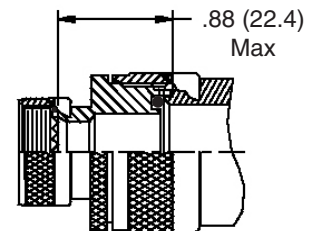
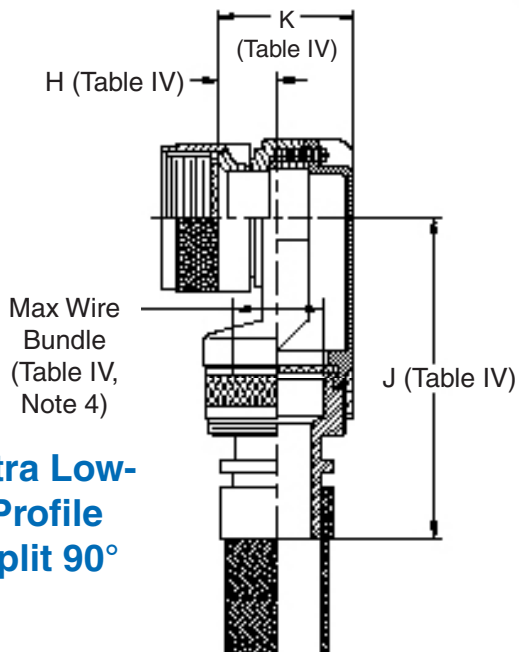


**CONNECTOR  
 DESIGNATORS**  
**A-F-H-L-S**  
**ROTATABLE  
 COUPLING**



**Split 90°**



**STYLE 2  
 (See Note 4)**

**319-001**  
**EMI/RFI Shield Sock Shrink Boot Adapter**  
 with Optional Shrink Boot  
 Split Shell - Rotatable Coupling



See inside back cover fold-out or pages 13 and 14 for unabridged Tables I and II.

**TABLE III: SPLIT 90° and SPLIT 45°**

SHELL SIZE		D	E	F	G
A-F-L-S	H	Max	Max	Max	Max
08	09	.440 (11.2)	1.500 (38.1)	.680 (17.3)	1.440 (36.6)
10	11	.500 (12.7)	1.560 (39.6)	.750 (19.1)	1.500 (38.1)
12	13	.560 (14.2)	1.630 (41.4)	.810 (20.6)	1.570 (39.9)
14	15	.620 (15.7)	1.660 (42.2)	.870 (22.1)	1.600 (40.6)
16	17	.680 (17.3)	1.760 (44.7)	.930 (23.6)	1.700 (43.2)
18	19	.750 (19.1)	1.820 (46.2)	1.000 (25.4)	1.760 (44.7)
20	21	.820 (20.8)	1.880 (47.8)	1.060 (26.9)	1.820 (46.2)
22	23	.880 (22.4)	1.940 (49.3)	1.120 (28.4)	1.880 (47.8)
24	25	.940 (23.9)	2.000 (50.8)	1.180 (30.3)	1.940 (49.3)

**TABLE IV: ULTRA LOW-PROFILE SPLIT 90°**

SHELL SIZE		H	J	K	Max Wire Bundle
A-F-L-S	H	Ref.	Max	Max	
08	09	.340 (8.6)	1.780 (45.2)	.681 (17.3)	.250 (6.4)
10	11	.270 (6.9)	1.940 (49.3)	.731 (18.6)	.375 (9.5)
12	13	.270 (6.9)	1.940 (49.3)	.731 (18.6)	.375 (9.5)
14	15	.280 (7.1)	2.010 (51.1)	.831 (21.1)	.500 (12.7)
16	17	.420 (10.7)	2.060 (52.3)	.981 (24.9)	.625 (15.9)
18	19	.640 (16.3)	2.090 (53.1)	1.181 (30.0)	.625 (15.9)
20	21	.640 (16.3)	2.090 (53.1)	1.181 (30.0)	.625 (15.9)
22	23	.540 (13.7)	2.240 (56.9)	1.181 (30.0)	.750 (19.1)
24	25	.540 (13.7)	2.240 (56.9)	1.181 (30.0)	.750 (19.1)

1. Cable Entry is defined as the accommodation range for the wire bundle or cable. Dimensions shown are not intended for inspection criteria.
2. See Shrink Boot Reference Information Sheet (page 40).
3. Metric dimensions (mm) are indicated in parentheses.
4. When maximum entry (page 21) is exceeded, Style 2 will be supplied (not available for Function C). Dimensions D, E, F, & G will not apply. Please consult factory.
5. Angular function "C", low-profile split elbow, not available with "S" connector designator.

**TABLE II: STANDARD FINISHES**

GLENAIR SYMBOL	FINISH
B	Cadmium Plate, Olive Drab
M	Electroless Nickel
NF	Cadmium Plate, Olive Drab Over Electroless Nickel

See Back Cover for Complete Finish Information and Additional Finish Options

**TABLE V: CABLE ENTRY/BOOT**

Dash No.	Cable Entry	Shrink Boot *
01	.188 (4.8)	N/A
02	.250 (6.4)	N/A
03	.312 (7.9)	770-0015103
04	.375 (9.5)	770-0015103
05	.438 (11.1)	770-0015103
06	.500 (12.7)	770-0015104
07	.562 (14.3)	770-0015104
08	.625 (15.9)	770-0015104
09	.688 (17.5)	770-0015105
10	.750 (19.1)	770-0015105
11	.812 (20.6)	770-0015105
12	.875 (22.2)	770-0015106
13	.938 (23.8)	770-0015106
14	1.000 (25.4)	770-0015106

\* Raychem Shrink Boot Supplied with "T" Option (see Part Number Development)

## X-ON Electronics

Largest Supplier of Electrical and Electronic Components

*Click to view similar products for [Circular MIL Spec Strain Reliefs & Adapters](#) category:*

*Click to view products by [Glenair](#) manufacturer:*

Other Similar products are found below :

[896227-000](#) [899170S004](#) [0113-023-000](#) [6000-063-0022](#) [CS6624-000](#) [620AB038Z136](#) [620AS001Z108](#) [620AS038Z112](#) [620AS038Z120](#)  
[620AS038Z132](#) [620FB038NF08](#) [620HA038NF09](#) [620HA038NF11](#) [620HA038NF13](#) [620HA038NF25](#) [620HB049NF17](#) [620HS038NF11](#)  
[620HS038Z121](#) [620HS042XM19](#) [620HS042XM25](#) [620HS048B17](#) [620MS064NF12](#) [620MS065Z107](#) [620MS065ZNU06](#) [627-123NF21-11](#)  
[627-125NF23-6](#) [630J041M06H](#) [630J041M20H](#) [637S010NF0212H](#) [637S010NF0416A](#) [640830-000](#) [659943-000](#) [66241-10A](#) [CW0597-000](#)  
[CW0598-000](#) [CW0948-000](#) [CY0122-000](#) [M85049/41-6A W/B](#) [M85049/42-12DS](#) [M85049/47N8](#) [M85049/51-1-14S](#) [M85049/51S16S](#)  
[M85049/60-1N16](#) [M85049/60-2G12W](#) [M85049/69-11N](#) [CZ3661-000](#) [D02922-000](#) [70.360.1628.0](#) [703797-000](#) [705825-000](#)