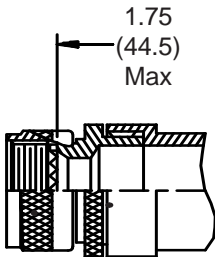
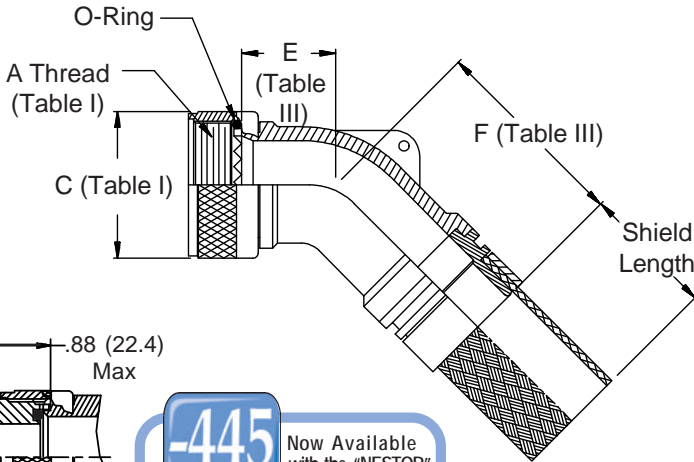
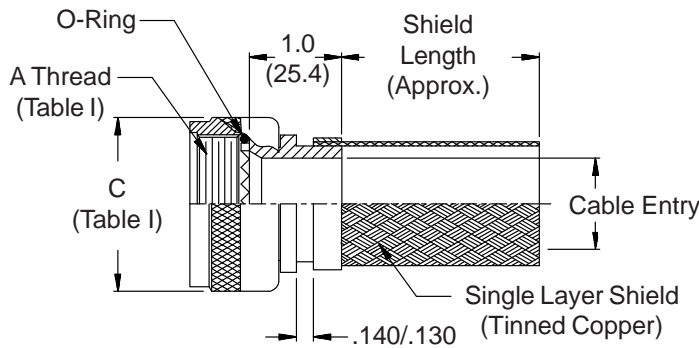


**CONNECTOR
 DESIGNATORS
 A-F-H-L-S
 ROTATABLE
 COUPLING**

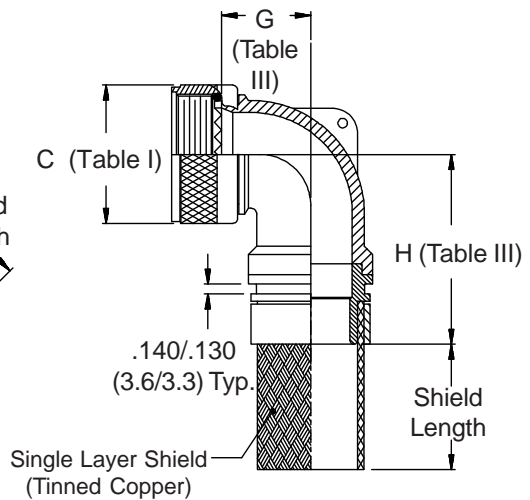


**STYLE 2
 (STRAIGHT
 See Note 5)**



**STYLE 2
 (45° & 90°
 See Note 5)**

-445 Now Available with the "NESTOR"
Glenair's Non-Detent, Spring-Loaded, Self-Locking Coupling.
 Add "-445" to Specify This AS85049 Style "N" Coupling Interface.



319-001
EMI/RFI Shield Sock Shrink Boot Adapter
 with Optional Shrink Boot
 Low Profile - Rotatable Coupling



See inside back cover fold-out or pages 13 and 14 for unabridged Tables I and II.

TABLE III: DIMENSIONS

Shell Size		E		F		G		H	
Conn. Desig.		Max		Max		Max		Max	
A-F-L-S	H								
08	09	.457	(11.6)	1.710	(43.4)	.500	(12.7)	1.730	(43.9)
10	11	.520	(13.2)	1.770	(45.0)	.595	(15.1)	1.850	(47.0)
12	13	.582	(14.8)	1.830	(46.5)	.610	(15.5)	1.870	(47.5)
14	15	.645	(16.4)	1.920	(48.8)	.700	(17.8)	1.940	(49.3)
16	17	.738	(18.7)	2.030	(51.6)	.885	(22.5)	2.030	(51.6)
18	19	.926	(23.5)	2.220	(56.4)	.975	(24.8)	2.200	(55.9)
20	21	.926	(23.5)	2.220	(56.4)	.975	(24.8)	2.200	(55.9)
22	23	1.020	(25.9)	2.370	(60.2)	1.125	(28.6)	2.310	(58.7)
24	25	1.020	(25.9)	2.370	(60.2)	1.125	(28.6)	2.310	(58.7)
28		1.145	(29.1)	2.420	(61.5)	1.225	(31.1)	2.480	(63.0)
32		1.207	(30.7)	2.520	(64.0)	1.575	(40.0)	2.730	(69.3)
36		1.238	(31.4)	2.610	(66.3)	1.775	(45.1)	2.730	(69.3)

TABLE IV: CABLE ENTRY/SHRINK BOOT

Dash No.	Cable Entry	Shrink Boot *
01	.188 (4.8)	n/a
02	.250 (6.4)	n/a
03	.312 (7.9)	770-001S103
04	.375 (9.5)	770-001S103
05	.438 (11.1)	770-001S103
06	.500 (12.7)	770-001S104
07	.562 (14.3)	770-001S104
08	.625 (15.9)	770-001S104
09	.688 (17.5)	770-001S105
10	.750 (19.1)	770-001S105
11	.812 (20.6)	770-001S105
12	.875 (22.2)	770-001S106
13	.938 (23.8)	770-001S106
14	1.000 (25.4)	770-001S106
15	1.250 (31.8)	770-001S107
16	1.500 (38.1)	770-001S108
17	1.750 (44.5)	n/a
18	2.000 (50.8)	n/a
19	1.125 (28.6)	n/a
20	1.375 (34.9)	n/a
21	1.625 (41.3)	n/a
22	1.062 (27.0)	n/a
23	1.188 (30.2)	n/a
24	1.875 (47.6)	n/a

1. Cable Entry or range is defined as the accommodation range for the wire bundle or cable. Dimensions shown are not intended for inspection criteria.
2. See Shrink Boot Reference Information (page 40).
3. Metric dimensions (mm) are indicated in parentheses.
4. O-Ring not supplied with Connector Designator A.
5. When maximum entry (page 21) is exceeded, Style 2 will be supplied. Dimensions E, F, G, & H will not apply. Please consult factory.

TABLE II - STANDARD FINISHES

GLENAIR	
SYMBOL	FINISH
B	Cadmium Plate, Olive Drab
M	Electroless Nickel
NF	Cadmium Plate, Olive Drab Over Electroless Nickel

See Back Cover for Complete Finish Information and Additional Finish Options

X-ON Electronics

Largest Supplier of Electrical and Electronic Components

Click to view similar products for [Circular MIL Spec Strain Reliefs & Adapters](#) category:

Click to view products by [Glenair](#) manufacturer:

Other Similar products are found below :

[896227-000](#) [899170S004](#) [0113-023-000](#) [6000-063-0022](#) [CS6624-000](#) [620AB038Z136](#) [620AS001Z108](#) [620AS038Z112](#) [620AS038Z120](#)
[620AS038Z132](#) [620FB038NF08](#) [620HA038NF09](#) [620HA038NF11](#) [620HA038NF13](#) [620HA038NF25](#) [620HB049NF17](#) [620HS038NF11](#)
[620HS038Z121](#) [620HS042XM19](#) [620HS042XM25](#) [620HS048B17](#) [620MS064NF12](#) [620MS065Z107](#) [620MS065ZNU06](#) [627-123NF21-11](#)
[627-125NF23-6](#) [630J041M06H](#) [630J041M20H](#) [637S010NF0212H](#) [637S010NF0416A](#) [640830-000](#) [659943-000](#) [66241-10A](#) [CW0597-000](#)
[CW0598-000](#) [CW0948-000](#) [CY0122-000](#) [M85049/41-6A W/B](#) [M85049/42-12DS](#) [M85049/47N8](#) [M85049/51-1-14S](#) [M85049/51S16S](#)
[M85049/60-1N16](#) [M85049/60-2G12W](#) [M85049/69-11N](#) [CZ3661-000](#) [D02922-000](#) [70.360.1628.0](#) [703797-000](#) [705825-000](#)