

**CONNECTOR  
DESIGNATORS  
A-D-F-H-L-S  
ROTATABLE  
COUPLING**

**TABLE II : STANDARD FINISHES**

GLENAIR	
SYMBOL	FINISH
B	Cadmium Plate, Olive Drab
C	Anodize, Black
G	Hard Coat, Anodic
M	Electroless Nickel
NF	Cadmium Plate, Olive Drab Over Electroless Nickel

See Back Cover for Complete Finish Information and Additional Finish Options

**-445**

 Now Available  
 with the "NESTOR"

Add "-445" to Specify  
 Glenair's Non-Detent,  
 Spring-Loaded, Self-  
 Locking Coupling.

**TABLE III: DIMENSIONS**

Shell Size		G Max	F Max	E Max	H Max
Conn. Desig. A-F-L-S	H				
08	09	.940 (23.9)	.890 (22.6)	.830 (21.1)	1.000 (25.4)
10	11	1.010 (25.7)	.920 (23.4)	.860 (21.8)	1.070 (27.2)
12	13	1.070 (27.2)	.942 (23.9)	.882 (22.4)	1.130 (28.7)
14	15	1.130 (28.7)	.970 (24.6)	.900 (22.9)	1.190 (30.2)
16	17	1.190 (30.2)	.990 (25.1)	.930 (23.6)	1.250 (31.8)
18	19	1.240 (31.5)	1.010 (25.7)	.950 (24.1)	1.300 (33.0)
20	21	1.310 (33.3)	1.040 (26.4)	.980 (24.9)	1.370 (34.8)
22	23	1.360 (34.5)	1.060 (26.9)	1.000 (25.4)	1.420 (36.1)
24	25	1.540 (39.1)	1.090 (27.7)	1.030 (26.2)	1.490 (37.8)

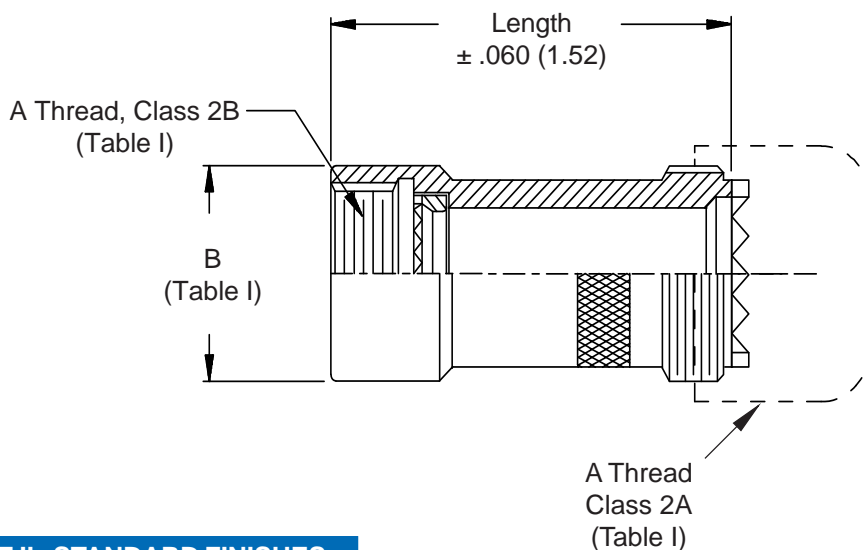
See inside back  
 cover fold-out or  
 pages 13 and 14  
 for unabridged  
 Tables I and II.

Metric dimensions  
 (mm) are indicated in  
 parentheses.

**320-002**  
**Extender Backshell**  
 Standard Profile - Direct Coupling - Straight Only



**CONNECTOR  
 DESIGNATORS**  
**A-B\*-C-D-E-F**  
**G-H-J-K-L-S**  
 \* Conn. Desig. B See Note 2  
**DIRECT  
 COUPLING**



**TABLE II : STANDARD FINISHES**

GLENAIR	
SYMBOL	FINISH
B	Cadmium Plate, Olive Drab
C	Anodize, Black
G	Hard Coat, Anodic
M	Electroless Nickel
NF	Cadmium Plate, Olive Drab Over Electroless Nickel

See Back Cover for Complete Finish Information and Additional Finish Options

See inside back cover fold-out or pages 13 and 14 for unabridged Tables I and II.

1. Metric dimensions (mm) are indicated in parentheses.
2. When using Connector Designator B refer to pages 18 and 19 for part number development.

## X-ON Electronics

Largest Supplier of Electrical and Electronic Components

*Click to view similar products for [Circular MIL Spec Backshells](#) category:*

*Click to view products by [Glenair](#) manufacturer:*

Other Similar products are found below :

[60-036152-022](#) [610HS012M15](#) [M28840/504WA](#) [M28840/805WB](#) [M28840/809WA](#) [M28840/815WA](#) [M28840/816WA](#) [627AS017M14](#)  
[627MA124M14S](#) [655HS002NF11](#) [CW3899-000](#) [M85049/10-134S](#) [M85049/10-17S](#) [M85049/10-33S](#) [M85049/10-94W](#) [M85049/11-28N](#)  
[M85049/11-37N](#) [M85049/11-53N](#) [M85049/11-63N](#) [M85049/124-23W](#) [M85049/1720N04B](#) [M85049/1821W05C](#) [M85049/1825W06C](#)  
[M85049/1919N05](#) [M85049/23-74W](#) [M85049/24-71N](#) [M85049/25-47N](#) [M85049/25-94W](#) [M85049/27S12N](#) [M85049/39-11S](#) [M85049/39-17S](#)  
[M85049/39-9S](#) [M85049/6-10B](#) [M85049/6-19N](#) [M85049/6-20B](#) [M85049/77-20W04](#) [M85049/78-11N03](#) [M85049/78-15W02](#) [M85049/78-](#)  
[17N04](#) [M85049/78-19N05](#) [M85049/79-19N07](#) [M85049/79-25N04](#) [M85049/82-18N02](#) [M85049/82-22P02](#) [M85049/83-10W03](#) [M85049/84-](#)  
[20N03](#) [M85049/8-48N](#) [M85049/85-24N01](#) [M85049/85-24P01](#) [M85049/86-16P03](#)