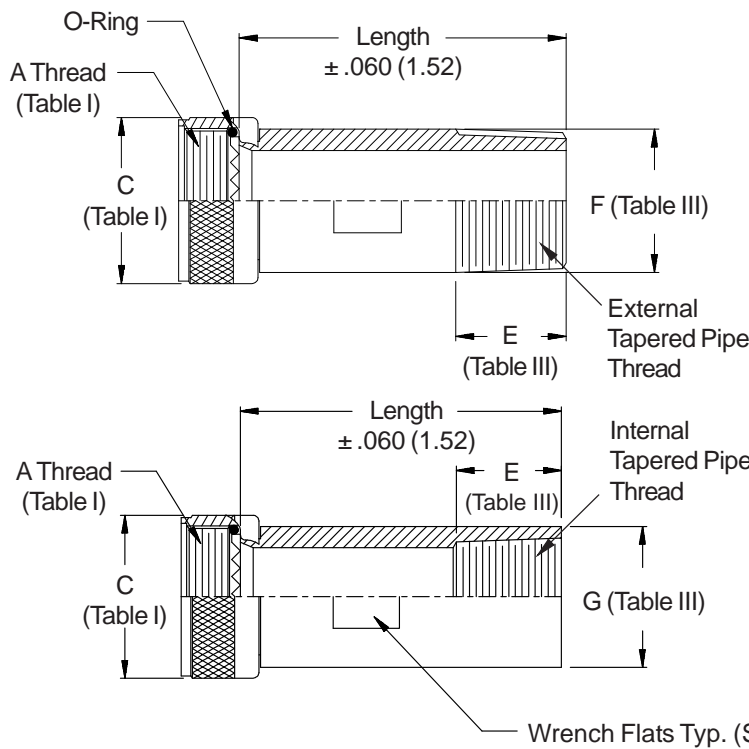
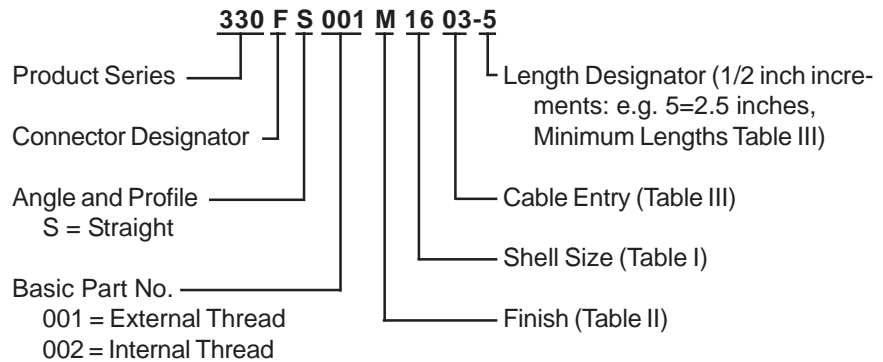


CONNECTOR DESIGNATORS A-F-H-L-S ROTATABLE COUPLING



GLENAIR SYMBOL	FINISH
B	Cadmium Plate, Olive Drab
C	Anodize, Black
G	Hard Coat, Anodic
M	Electroless Nickel
NF	Cadmium Plate, Olive Drab Over Electroless Nickel

See Back Cover for Complete Finish Information and Additional Finish Options

See inside back cover fold-out or pages 13 and 14 for unabridged Tables I and II.

TABLE III: CABLE ENTRY

Dash No.	Pipe Thread	E	F Dia	G Dia	Length	
					Min	Desig.
01	1/8	.391 (9.9)	.405 (10.3)	.500 (12.7)	1.5 (38.1)	3
02	1/4	.593 (15.1)	.540 (13.7)	.625 (15.9)	1.5 (38.1)	3
03	3/8	.593 (15.1)	.675 (17.1)	.875 (22.2)	1.5 (38.1)	3
04	1/2	.781 (19.8)	.840 (21.3)	1.000 (25.4)	2.0 (50.8)	4
05	3/4	.812 (20.6)	1.050 (26.7)	1.250 (31.8)	2.0 (50.8)	4
06	1	1.000 (25.4)	1.315 (33.4)	1.500 (38.1)	2.0 (50.8)	4
07	1 1/4	1.031 (26.2)	1.660 (42.2)	1.750 (44.5)	2.5 (63.5)	5
08	1 1/2	1.031 (26.2)	1.900 (48.3)	2.125 (54.0)	2.5 (63.5)	5
09	2	1.062 (27.0)	2.375 (60.3)	2.500 (63.5)	2.5 (63.5)	5
10	2 1/2	1.453 (36.9)	2.875 (73.0)	3.250 (82.6)	2.5 (63.5)	5

1. Pipe threads per American standard taper pipe thread.
2. Metric dimensions (mm) are indicated in parentheses.
3. O-Ring not supplied with Connector Designator A.

X-ON Electronics

Largest Supplier of Electrical and Electronic Components

Click to view similar products for [Circular MIL Spec Strain Reliefs & Adapters](#) category:

Click to view products by [Glenair](#) manufacturer:

Other Similar products are found below :

[896227-000](#) [899170S004](#) [0113-023-000](#) [6000-063-0022](#) [CS6624-000](#) [620AB038Z136](#) [620AS001Z108](#) [620AS038Z112](#) [620AS038Z120](#)
[620AS038Z132](#) [620FB038NF08](#) [620HA038NF09](#) [620HA038NF11](#) [620HA038NF13](#) [620HA038NF25](#) [620HB049NF17](#) [620HS038NF11](#)
[620HS038Z121](#) [620HS042XM19](#) [620HS042XM25](#) [620HS048B17](#) [620MS064NF12](#) [620MS065Z107](#) [620MS065ZNU06](#) [627-123NF21-11](#)
[627-125NF23-6](#) [630J041M06H](#) [630J041M20H](#) [637S010NF0212H](#) [637S010NF0416A](#) [640830-000](#) [659943-000](#) [66241-10A](#) [CW0597-000](#)
[CW0598-000](#) [CW0948-000](#) [CY0122-000](#) [M85049/41-6A W/B](#) [M85049/42-12DS](#) [M85049/47N8](#) [M85049/51-1-14S](#) [M85049/51S16S](#)
[M85049/60-1N16](#) [M85049/60-2G12W](#) [M85049/69-11N](#) [CZ3661-000](#) [D02922-000](#) [70.360.1628.0](#) [703797-000](#) [705825-000](#)