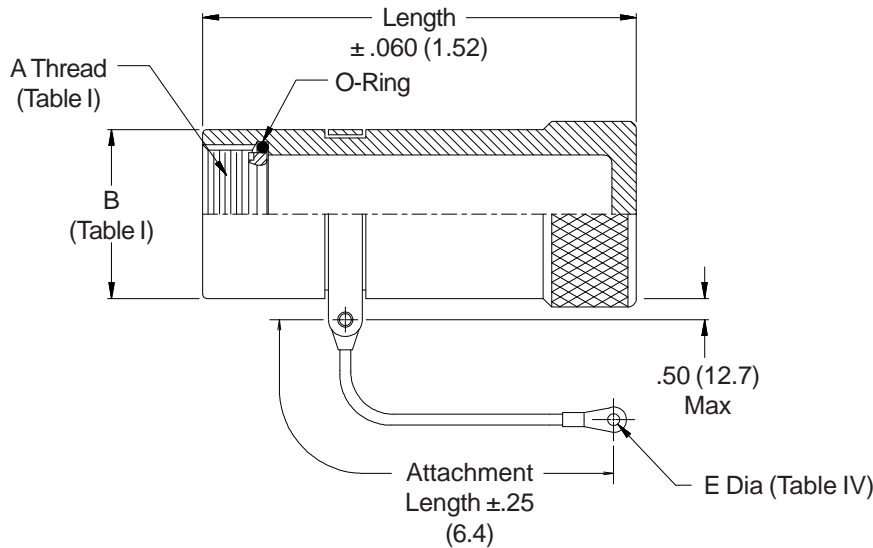
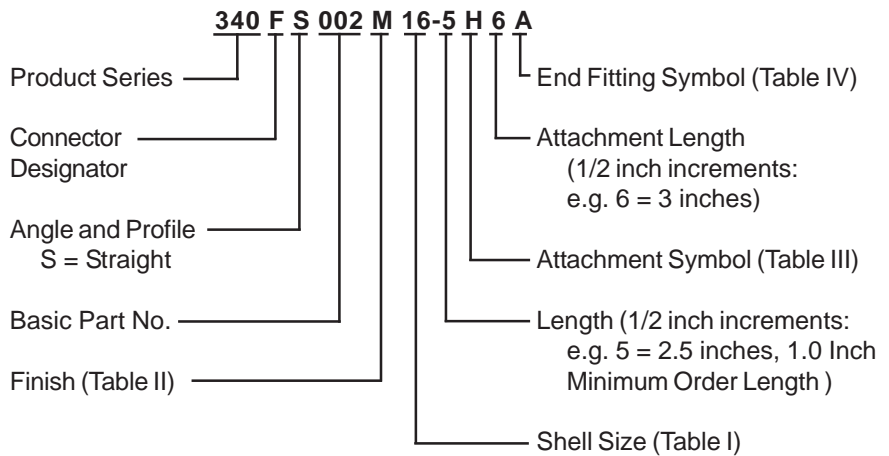


# 340-002 O-Ring Sealed Shorting Cap Backshell Direct Coupling



## CONNECTOR DESIGNATORS **A-B\*-C-D-E-F** **G-H-J-K-L-S** \* Conn. Desig. B See Note 3 **DIRECT COUPLING**



**See inside back cover  
fold-out or pages 13 and  
14 for unabridged  
Tables I and II.**

| Symbol | E Dia.     |
|--------|------------|
| A      | .140 (3.6) |
| B      | .167 (4.2) |
| C      | .182 (4.6) |
| D      | .191 (4.9) |
| E      | .125 (3.2) |
| F      | .218 (5.5) |

| Symbol | Attachment                                     |
|--------|--|
| C      | No attachment, body strap only                 |
| D      | Bead chain, cres, passivate, with terminal     |
| E      | Link chain, cres, passivate, with reverse link |
| F      | Wire rope, nylon jacket, with terminal         |
| G      | Nylon rope, with terminal                      |
| H      | Wire rope, teflon jacket, with terminal        |
| N      | Attachment omitted                             |
| R      | Wire rope, PVC jacket, with terminal           |
| S      | #8 Sash chain, cres, passivate                 |
| U      | Wire rope, polyurethane jacket, with terminal  |

| GLENAIR SYMBOL | FINISH  |
|----------------|---|
| B              | Cadmium Plate, Olive Drab                         |
| C              | Anodize, Black                                    |
| G              | Hard Coat, Anodic                                 |
| M              | Electroless Nickel                                |
| NF             | Cadmium Plate, Olive Drab Over Electroless Nickel |

**See Back Cover for Complete Finish Information and Additional Finish Options**

1. Metric dimensions (mm) are indicated in parentheses.
2. Custom engraving available, consult factory.
3. When using Connector Designator B refer to pages 18 and 19 for part number development.

## X-ON Electronics

Largest Supplier of Electrical and Electronic Components

*Click to view similar products for [Circular MIL Spec Backshells](#) category:*

*Click to view products by [Glenair](#) manufacturer:*

Other Similar products are found below :

[60-036152-022](#) [610HS012M15](#) [M28840/504WA](#) [M28840/805WB](#) [M28840/809WA](#) [M28840/815WA](#) [M28840/816WA](#) [627AS017M14](#)  
[627MA124M14S](#) [655HS002NF11](#) [CW3899-000](#) [M85049/10-134S](#) [M85049/10-17S](#) [M85049/10-33S](#) [M85049/10-94W](#) [M85049/11-28N](#)  
[M85049/11-37N](#) [M85049/11-53N](#) [M85049/11-63N](#) [M85049/124-23W](#) [M85049/1720N04B](#) [M85049/1821W05C](#) [M85049/1825W06C](#)  
[M85049/1919N05](#) [M85049/23-74W](#) [M85049/24-71N](#) [M85049/25-47N](#) [M85049/25-94W](#) [M85049/27S12N](#) [M85049/39-11S](#) [M85049/39-17S](#)  
[M85049/39-9S](#) [M85049/6-10B](#) [M85049/6-19N](#) [M85049/6-20B](#) [M85049/77-20W04](#) [M85049/78-11N03](#) [M85049/78-15W02](#) [M85049/78-](#)  
[17N04](#) [M85049/78-19N05](#) [M85049/79-19N07](#) [M85049/79-25N04](#) [M85049/82-18N02](#) [M85049/82-22P02](#) [M85049/83-10W03](#) [M85049/84-](#)  
[20N03](#) [M85049/8-48N](#) [M85049/85-24N01](#) [M85049/85-24P01](#) [M85049/86-16P03](#)