



RJ45 AND USB 2.0 Contacts, Tools, and Accessories

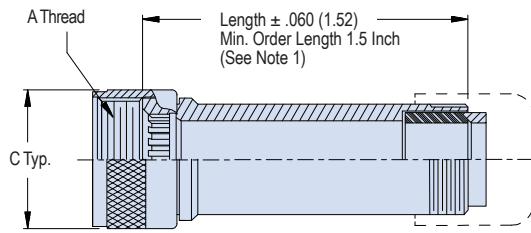


370-007 Cable Sealing Backshell with Rotatable Coupling for 28840 Type Connectors

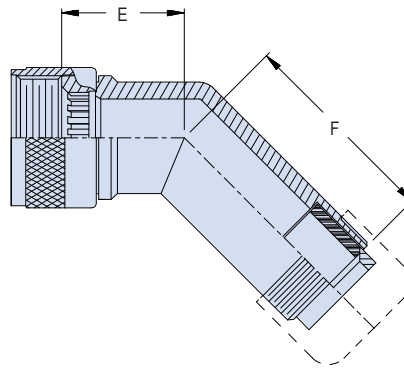
How To Order									
Sample Part Number	370	G	S	007	M	17	03	D	1.5
Series/Basic Part No.	370 - low Profile								
Connector Designator	G = 28840								
Angular Function	J = 90° H = 45° S = Straight								
Basic Part No.	007								
Finish	See Material and Finish Table								
Shell Size	15, 17, 19								
Dash No.	See Dash Number Table								
Strain Relief Style	D = Nut								
Length	1/2 inch increments (e.g. 6 = 3 inches); Straight only								

MIL-DTL-28840 Type

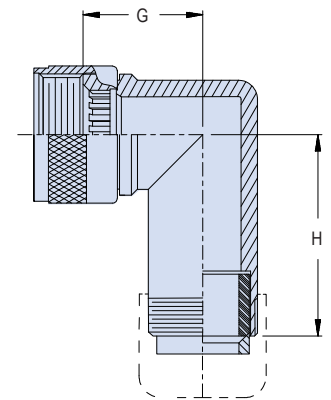
Straight (S)



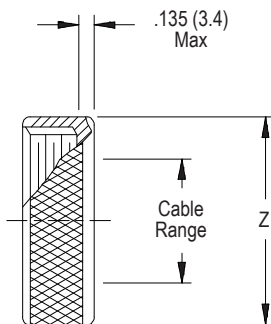
45° (H)



90° (J)



STRAIN RELIEF STYLE D



Dimensions						
Shell Size	A Thread	C Typ.	E Max	F Max	G Max	H Max
15	M22 X 1 -- 6H	1.07 (27.2)	.645 (16.4)	2.359 (59.9)	.700 (17.8)	2.369 (60.2)
17	M25 X 1 -- 6H	1.21 (30.7)	.738 (18.7)	2.469 (62.7)	.885 (22.5)	2.459 (62.5)
19	M28 X 1 -- 6H	1.36 (34.5)	.926 (23.5)	2.659 (67.5)	.975 (24.8)	2.629 (66.8)

Materials and Finishes	
NF	Aluminum/ Cadmium, olive drab
M	Aluminum/ Electroless nickel
MT	Aluminum/ Nickel PTFE
ZR	Aluminum/ Zinc-nickel black
ZI	Stainless Steel/ Passivate

Dash Number			
Dash No.	Z Max	Cable Range	
		Min.	Max.
03	.630 (16.0)	.250 (6.4)	.250 (6.4)
04	.755 (19.2)	.312 (7.9)	.312 (7.9)
06	.942 (23.9)	.438 (11.1)	.438 (11.1)

M

X-ON Electronics

Largest Supplier of Electrical and Electronic Components

Click to view similar products for [Circular MIL Spec Backshells](#) category:

Click to view products by [Glenair](#) manufacturer:

Other Similar products are found below :

[60-036152-022](#) [610HS012M15](#) [M28840/504WA](#) [M28840/805WB](#) [M28840/809WA](#) [M28840/815WA](#) [M28840/816WA](#) [627AS017M14](#)
[627MA124M14S](#) [655HS002NF11](#) [CW3899-000](#) [M85049/10-134S](#) [M85049/10-17S](#) [M85049/10-33S](#) [M85049/10-94W](#) [M85049/11-28N](#)
[M85049/11-37N](#) [M85049/11-53N](#) [M85049/11-63N](#) [M85049/124-23W](#) [M85049/1720N04B](#) [M85049/1821W05C](#) [M85049/1825W06C](#)
[M85049/1919N05](#) [M85049/23-74W](#) [M85049/24-71N](#) [M85049/25-47N](#) [M85049/25-94W](#) [M85049/27S12N](#) [M85049/39-11S](#) [M85049/39-17S](#)
[M85049/39-9S](#) [M85049/6-10B](#) [M85049/6-19N](#) [M85049/6-20B](#) [M85049/77-20W04](#) [M85049/78-11N03](#) [M85049/78-15W02](#) [M85049/78-](#)
[17N04](#) [M85049/78-19N05](#) [M85049/79-19N07](#) [M85049/79-25N04](#) [M85049/82-18N02](#) [M85049/82-22P02](#) [M85049/83-10W03](#) [M85049/84-](#)
[20N03](#) [M85049/8-48N](#) [M85049/85-24N01](#) [M85049/85-24P01](#) [M85049/86-16P03](#)