

Series 80 Mighty Mouse

Direct or Rotatable Coupling Environmental Backshell

370MS037 and 370M*038 Straight, 45° and 90° Ordering Information



Environmental backshells feature silicone o-rings for a watertight seal.

Straight Entry backshells are available with direct coupling or rotatable coupling.

45° and 90° adapters feature rotatable coupling nuts.

Table II: Cover Style	
Omit Screw Clamp with Saddle Bars	N Compression Nut

How To Order						
Sample Part Number	370MS037	C	10	05-	6	N
Series (See Table III)	370MS037 = Straight Entry 370MS038 = Straight Entry 370MB038 = 45° Entry 370MA038 = 90° Entry					
Shell Material and Finish	M = Aluminum / Electroless Nickel NF = Aluminum / Cadmium with Olive Drab ZN = Aluminum / Zinc-Nickel with Olive Drab Chromate ZNU = Aluminum / Zinc-Nickel with Black Chromate MT = Aluminum / Nickel-PTFE Z1 = Stainless Steel / Passivated					
Size Code (See Table I)	05, 06, 11, 07, 08, 09, 10, 12, 13, 14, 16, 17					
Cable Entry Code (See Table II)	01-, 02-, 03-, 04-, 05-, 06-, 07-, 08-, 09-, 10-, 11-, 12-, 13-					
Length (See Table III)	Straight length only. Specify length in 1/8 inch increments (e.g. 6 = .75 inches). See Table II for standard lengths.					
Clamp Style (Table II)	Omit = screw clamp with saddle bars N = Compression Nut, Low Profile					

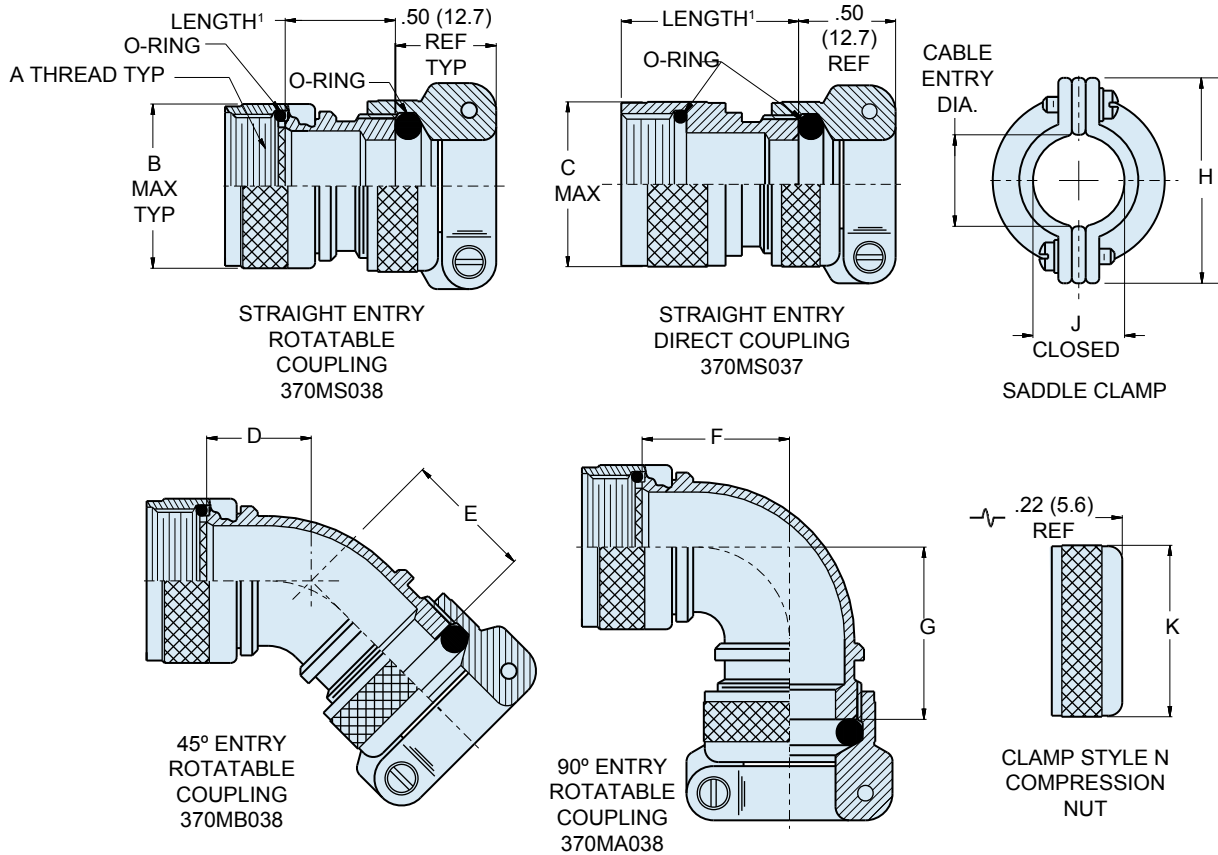
Table I: Straight Coupling Dimensions											
Size Code	Shell Size Ref		A Thread UNEF Class -2B	370MS038				370MS037			
	800/801 803/804	805		B Max.		Std Length		C Max.		Std Length	
				In.	mm.	In.	mm.	In.	mm.	In.	mm.
05	5	N/A	1/4 - 32	.470	11.94	.75	19.05	.350	8.89	.63	16.00
06	6	N/A	5/16 - 32	.530	13.46	.75	19.05	.415	10.54	.63	16.00
11	N/A	8	3/8 - 32	.570	14.48	.75	19.05	.465	11.68	.63	16.00
07	7	9	7/16 - 28	.637	16.18	.75	19.05	.530	13.46	.75	19.05
08	8	10	1/2 - 28	.700	17.78	.75	19.05	.595	15.11	.75	19.05
09	9	11	9/16 - 24	.758	19.25	.75	19.05	.650	16.51	.75	19.05
10	10	12	5/8 - 24	.819	20.80	.75	19.05	.715	18.16	.75	19.05
12	11 thru 13	13	11/16 - 24	.896	22.76	.88	22.35	.785	19.94	.88	22.35
13	N/A	15	3/4 - 20	.930	23.62	.88	22.35	.830	21.08	.88	22.35
14	14 thru 17	18/19	15/16 - 20	1.137	28.88	1.00	25.40	1.020	25.91	1.00	25.40
16	19	21	11/16 - 18	1.230	31.24	1.00	25.40	1.155	29.34	1.00	25.40
17	21	23	13/16 - 18	1.280	32.51	1.13	28.70	1.287	35.23	1.13	28.70

Table III: Backshell Profile	
370MS037 Straight Entry, Direct Coupling	370MS038 Straight Entry, Rotatable Coupling
370MB038 45° Entry Rotatable Coupling	370MA038 90° Entry Rotatable Coupling

Dimensions in Inches (millimeters) are subject to change without notice.



Series 80 Mighty Mouse Direct or Rotatable Coupling Environmental Backshell 370MS037, 370MS038, 370MB038 and 370MA038 Dimensions



X

Table II: 370M*038 45° and 90° Dimensions

Cable Entry Code	Cable Entry Dia.		D Max.		E Max.		F Max.		G Max.		H		J Closed		Ø K	
	Max.	Min.	In.	mm.	In.	mm.	In.	mm.	In.	mm.	in. ± .015	mm ± 0.38	In.	mm.	in. ± .015	mm ± 0.38
01	.109	.031	.603	15.32	.581	14.76	.724	18.39	.702	17.83	.496	12.60	.11	2.79	.398	10.11
02	.172	.078	.603	15.32	.581	14.76	.724	18.39	.702	17.83	.582	14.78	.17	4.32	.460	11.68
03	.234	.140	.603	15.32	.581	14.76	.724	18.39	.702	17.83	.656	16.66	.23	5.84	.523	13.28
04	.297	.203	.629	15.98	.607	15.42	.786	19.96	.764	19.41	.726	18.44	.30	7.62	.585	14.86
05	.359	.265	.629	15.98	.607	15.42	.786	19.96	.764	19.41	.885	22.48	.36	9.14	.647	16.43
06	.422	.328	.655	16.64	.633	16.00	.848	21.54	.826	20.98	.952	24.18	.42	10.67	.710	18.03
07	.484	.390	.655	16.64	.633	16.00	.848	21.54	.826	20.98	1.018	25.86	.48	12.19	.773	19.63
08	.547	.453	.707	17.96	.685	17.40	.911	23.14	.889	22.58	1.084	27.53	.55	13.97	.835	21.21
09	.609	.515	.707	17.96	.685	17.40	.911	23.14	.889	22.58	1.148	29.16	.61	15.49	.897	22.78
10	.672	.578	.733	18.62	.711	18.06	.973	24.71	.951	24.16	1.211	30.76	.67	17.02	.959	24.36
11	.734	.640	.733	18.62	.711	18.06	.973	24.71	.951	24.16	1.273	32.33	.73	18.54	1.021	25.93
12	.859	.765	.785	19.94	.763	19.38	1.036	26.31	1.014	25.76	1.400	35.56	.86	21.84	1.083	27.51
13	1.00	.906	.811	20.60	.789	20.04	1.098	27.89	1.076	27.30	1.539	39.09	.99	25.15	1.145	29.08

NOTES

1. Minimum length is .63 Inches. Applies to "S" straight entry only.
2. Use shrink Sleeve or bushing to build cable to dia shown under saddle bars.

Materials

- Adapter, Clamp, Nut and Saddles: Aluminum Alloy 6061-T6 or 300 Series Stainless Steel
- O-Rings: Silicone Rubber
- Hardware: 300 Series Stainless Steel

Dimensions in Inches (millimeters) are subject to change without notice.

X-ON Electronics

Largest Supplier of Electrical and Electronic Components

Click to view similar products for [Circular MIL Spec Backshells](#) category:

Click to view products by [Glenair](#) manufacturer:

Other Similar products are found below :

[60-036152-022](#) [610HS012M15](#) [M28840/504WA](#) [M28840/805WB](#) [M28840/809WA](#) [M28840/815WA](#) [M28840/816WA](#) [627AS017M14](#)
[627MA124M14S](#) [655HS002NF11](#) [CW3899-000](#) [M85049/10-134S](#) [M85049/10-17S](#) [M85049/10-33S](#) [M85049/10-94W](#) [M85049/11-28N](#)
[M85049/11-37N](#) [M85049/11-53N](#) [M85049/11-63N](#) [M85049/124-23W](#) [M85049/1720N04B](#) [M85049/1821W05C](#) [M85049/1825W06C](#)
[M85049/1919N05](#) [M85049/23-74W](#) [M85049/24-71N](#) [M85049/25-47N](#) [M85049/25-94W](#) [M85049/27S12N](#) [M85049/39-11S](#) [M85049/39-17S](#)
[M85049/39-9S](#) [M85049/6-10B](#) [M85049/6-19N](#) [M85049/6-20B](#) [M85049/77-20W04](#) [M85049/78-11N03](#) [M85049/78-15W02](#) [M85049/78-](#)
[17N04](#) [M85049/78-19N05](#) [M85049/79-19N07](#) [M85049/79-25N04](#) [M85049/82-18N02](#) [M85049/82-22P02](#) [M85049/83-10W03](#) [M85049/84-](#)
[20N03](#) [M85049/8-48N](#) [M85049/85-24N01](#) [M85049/85-24P01](#) [M85049/86-16P03](#)