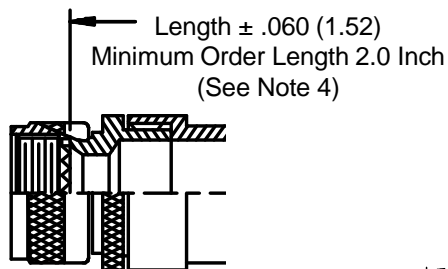
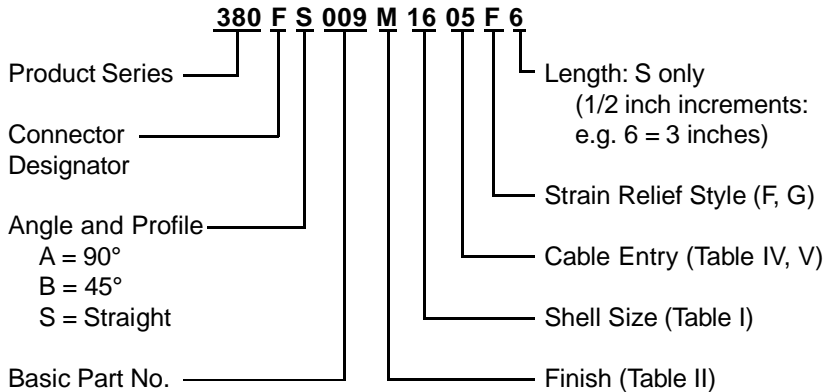
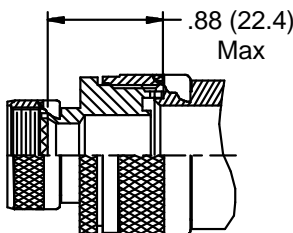


**CONNECTOR  
 DESIGNATORS  
 A-F-H-L-S  
 ROTATABLE  
 COUPLING**

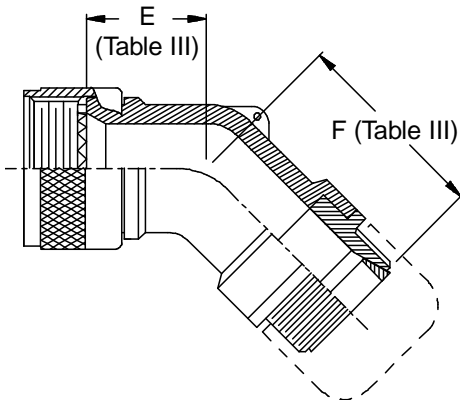
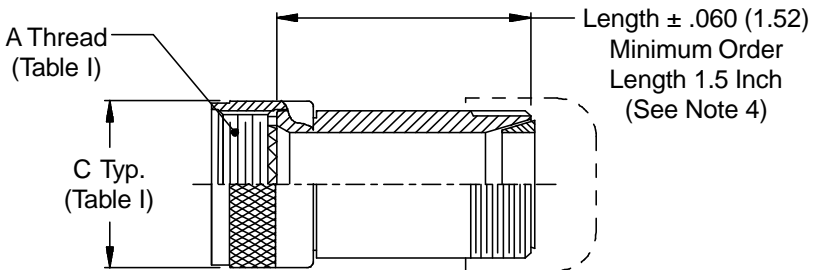
**TYPE D INDIVIDUAL  
 OR OVERALL  
 SHIELD TERMINATION**



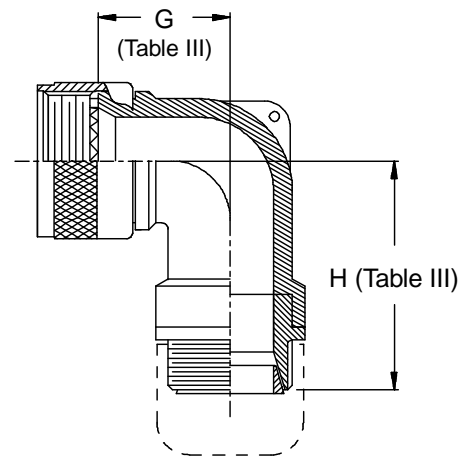
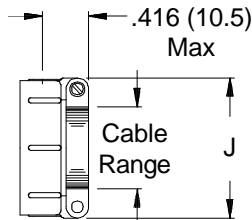
**STYLE 2  
 (STRAIGHT  
 See Note 1)**



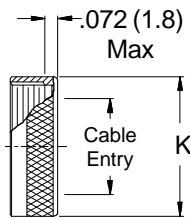
**STYLE 2  
 (45° & 90°  
 See Note 1)**



**STYLE F  
 Light Duty  
 (Table IV)**



**STYLE G  
 Light Duty  
 (Table V)**



-445

Now Available with the "NESTOR"

**Glenair's Non-Detent, Spring-Loaded, Self-Locking Coupling.**  
 Add "-445" to Specify This AS85049 Style "N" Coupling Interface.

**380-009**  
**EMI/RFI Non-Environmental Backshell**  
 with Strain Relief  
 Type D - Rotatable Coupling - Low Profile



See inside back cover fold-out or pages 13 and 14 for unabridged Tables I and II.

| TABLE III: ELBOW DIMENSIONS |    |              |              |              |              |              |  |
|-----------------------------|----|--------------|--------------|--------------|--------------|--------------|--|
| Shell Size                  |    | E<br>Max     | F<br>Max     | G<br>Max     | H<br>Max     | Conn. Desig. |  |
| A-F-L-S                     | H  |              |              |              |              |              |  |
| 08                          | 09 | .457 (11.6)  | 1.500 (38.1) | .500 (12.7)  | 1.445 (36.7) |              |  |
| 10                          | 11 | .520 (13.2)  | 1.510 (38.4) | .595 (15.1)  | 1.565 (39.8) |              |  |
| 12                          | 13 | .582 (14.8)  | 1.580 (40.1) | .610 (15.5)  | 1.585 (40.3) |              |  |
| 14                          | 15 | .645 (16.4)  | 1.660 (42.2) | .700 (17.8)  | 1.655 (42.0) |              |  |
| 16                          | 17 | .738 (18.7)  | 1.770 (45.0) | .885 (22.5)  | 1.725 (43.8) |              |  |
| 18                          | 19 | .926 (23.5)  | 1.960 (49.8) | .975 (24.8)  | 1.915 (48.6) |              |  |
| 20                          | 21 | .926 (23.5)  | 1.960 (49.8) | .975 (24.8)  | 1.915 (48.6) |              |  |
| 22                          | 23 | 1.020 (25.9) | 2.110 (53.6) | 1.125 (28.6) | 2.025 (51.4) |              |  |
| 24                          | 25 | 1.020 (25.9) | 2.110 (53.6) | 1.125 (28.6) | 2.025 (51.4) |              |  |
| 28                          |    | 1.145 (29.1) | 2.160 (54.9) | 1.225 (31.1) | 2.195 (55.8) |              |  |
| 32                          |    | 1.207 (30.7) | 2.260 (57.4) | 1.575 (40.0) | 2.445 (62.1) |              |  |
| 36                          |    | 1.238 (31.4) | 2.360 (59.9) | 1.775 (45.1) | 2.445 (62.1) |              |  |

| TABLE II: STANDARD FINISHES                            |  |
|--|--|
| GLENAIR  |  |
| SYMBOL   | FINISH   |
| B  | Cadmium Plate, Olive Drab                            |
| M  | Electroless Nickel                                   |
| NF   | Cadmium Plate, Olive Drab<br>Over Electroless Nickel |
| See Inside Back Cover<br>for Additional Finish Options |  |

| TABLE IV: CABLE ENTRY |              |              |              |              |
|-----------------------|--------------|--------------|--------------|--------------|
| Dash No.              | J<br>Max     | Cable Range  |              |              |
|                       |              | Min          | Max          |              |
| 02                    | .968 (24.6)  | .125 (3.2)   | .250 (6.4)   | .500 (12.7)  |
| 03                    | 1.046 (26.6) | .250 (6.4)   | .375 (9.5)   | .750 (19.1)  |
| 04                    | 1.156 (29.4) | .312 (7.9)   | .500 (12.7)  | .875 (22.2)  |
| 05                    | 1.218 (30.9) | .437 (11.1)  | .625 (15.9)  | 1.000 (25.4) |
| 06                    | 1.343 (34.1) | .562 (14.3)  | .750 (19.1)  | 1.125 (28.6) |
| 07                    | 1.468 (37.3) | .687 (17.4)  | .875 (22.2)  | 1.250 (31.8) |
| 08                    | 1.593 (40.5) | .812 (20.6)  | 1.000 (25.4) | 1.375 (35.0) |
| 10                    | 1.843 (46.8) | 1.062 (27.0) | 1.250 (31.8) | 1.500 (38.1) |

| TABLE V: CABLE ENTRY |              |              |              |
|----------------------|--------------|--------------|--------------|
| Dash No.             | K<br>Max     | Cable Entry  |              |
|                      |              | Min          | Max          |
| 01                   | .656 (16.7)  | .125 (3.2)   | .250 (6.4)   |
| 02                   | .781 (19.8)  | .250 (6.4)   | .375 (9.5)   |
| 03                   | .906 (23.0)  | .375 (9.5)   | .500 (12.7)  |
| 04                   | 1.031 (26.2) | .500 (12.7)  | .625 (15.9)  |
| 05                   | 1.156 (29.4) | .625 (15.9)  | .750 (19.1)  |
| 06                   | 1.281 (32.5) | .750 (19.1)  | .875 (22.2)  |
| 07                   | 1.406 (35.7) | .875 (22.2)  | 1.000 (25.4) |
| 08                   | 1.531 (38.9) | 1.000 (25.4) | 1.125 (28.6) |
| 09                   | 1.656 (42.1) | 1.125 (28.6) | 1.250 (31.8) |
| 10                   | 1.781 (45.2) | 1.250 (31.8) | 1.375 (35.0) |

1. When maximum cable entry (page 21) is exceeded, Style 2 will be supplied. Dimensions E, F, G and H will not apply. Please consult factory.
2. Metric dimensions (mm) are indicated in parentheses.
3. Cable range is defined as the accommodations range for the wire bundle or cable. Dimensions shown are not intended for inspection criteria.
4. Consult factory for shorter lengths on straight backshells.

## X-ON Electronics

Largest Supplier of Electrical and Electronic Components

*Click to view similar products for [Circular MIL Spec Backshells](#) category:*

*Click to view products by [Glenair](#) manufacturer:*

Other Similar products are found below :

[60-036152-022](#) [610HS012M15](#) [M28840/504WA](#) [M28840/805WB](#) [M28840/809WA](#) [M28840/815WA](#) [M28840/816WA](#) [627AS017M14](#)  
[627MA124M14S](#) [655HS002NF11](#) [CW3899-000](#) [M85049/10-134S](#) [M85049/10-17S](#) [M85049/10-33S](#) [M85049/10-94W](#) [M85049/11-28N](#)  
[M85049/11-37N](#) [M85049/11-53N](#) [M85049/11-63N](#) [M85049/124-23W](#) [M85049/1720N04B](#) [M85049/1821W05C](#) [M85049/1825W06C](#)  
[M85049/1919N05](#) [M85049/23-74W](#) [M85049/24-71N](#) [M85049/25-47N](#) [M85049/25-94W](#) [M85049/27S12N](#) [M85049/39-11S](#) [M85049/39-17S](#)  
[M85049/39-9S](#) [M85049/6-10B](#) [M85049/6-19N](#) [M85049/6-20B](#) [M85049/77-20W04](#) [M85049/78-11N03](#) [M85049/78-15W02](#) [M85049/78-](#)  
[17N04](#) [M85049/78-19N05](#) [M85049/79-19N07](#) [M85049/79-25N04](#) [M85049/82-18N02](#) [M85049/82-22P02](#) [M85049/83-10W03](#) [M85049/84-](#)  
[20N03](#) [M85049/8-48N](#) [M85049/85-24N01](#) [M85049/85-24P01](#) [M85049/86-16P03](#)