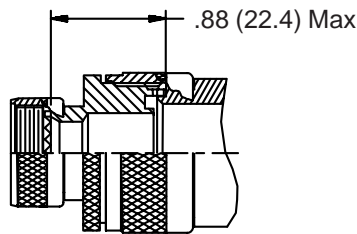
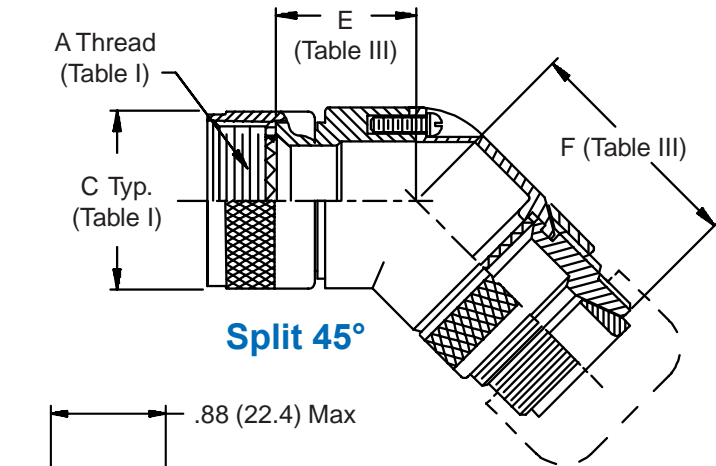
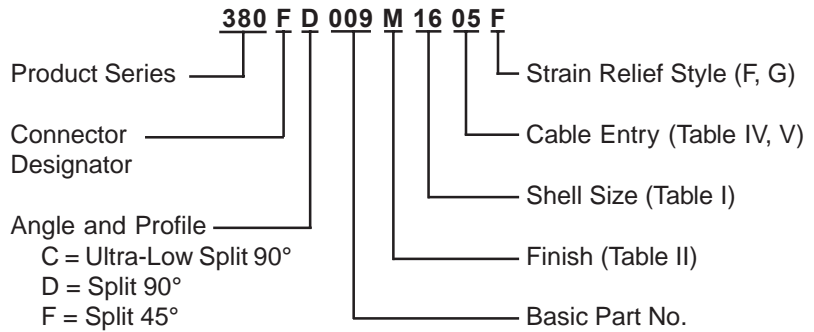


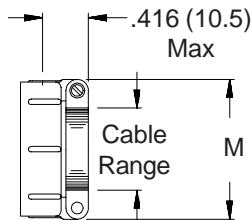
**CONNECTOR
DESIGNATORS
A-F-H-L-S
ROTATABLE
COUPLING**

**TYPE D INDIVIDUAL
OR OVERALL
SHIELD TERMINATION**

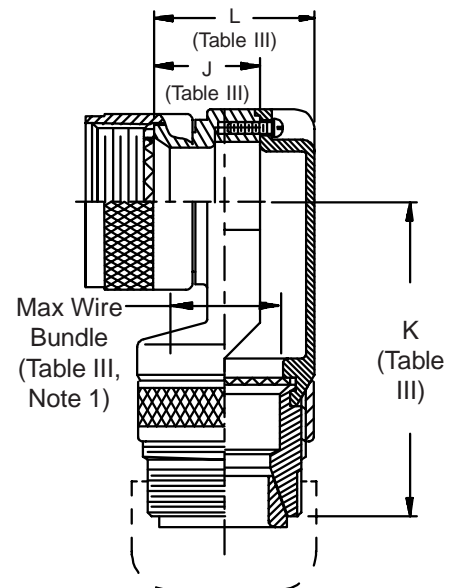
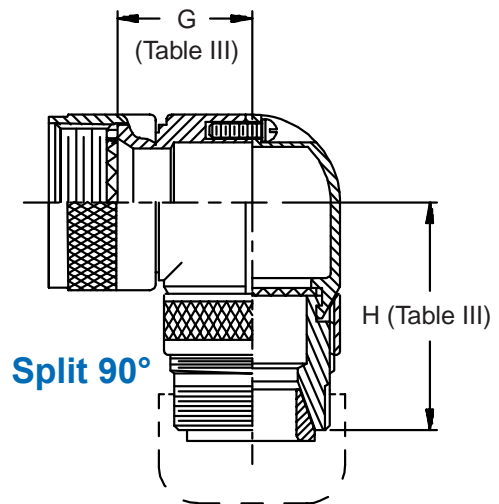
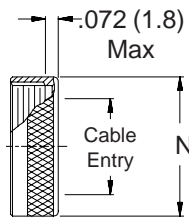


STYLE 2
(See Note 1)

STYLE F
Light Duty
(Table IV)



STYLE G
Light Duty
(Table V)



**Ultra Low-Profile
Split 90°**

380-009
EMI/RFI Non-Environmental Backshell
 with Strain Relief
 Type D - Rotatable Coupling - Split Shell



See inside back cover fold-out or pages 13 and 14 for Tables I and II.

TABLE II: STANDARD FINISHES

| GLENAIR | |
|--|--|
| SYMBOL | FINISH |
| B | Cadmium Plate, Olive Drab |
| M | Electroless Nickel |
| NF | Cadmium Plate, Olive Drab Over Electroless Nickel |
| See Inside Back Cover for Additional Finish Options | |

TABLE III: DIMENSIONS

| Shell Size | E Max | F Max | G Max | H Max | J Max | K Max | L Max | Function C Max Wire Bundle |
|------------|-------------|--------------|--------------|--------------|-------------|--------------|--------------|----------------------------|
| 08/09 | .440 (11.2) | 1.730 (43.9) | .680 (17.3) | 1.670 (42.4) | .340 (8.6) | 1.920 (48.8) | .681 (17.3) | .250 (6.4) |
| 10/11 | .500 (12.7) | 1.785 (45.3) | .750 (19.1) | 1.725 (43.8) | .270 (6.9) | 2.080 (52.8) | .731 (18.6) | .375 (9.5) |
| 12/13 | .560 (14.2) | 1.855 (47.1) | .810 (20.6) | 1.795 (45.6) | .270 (6.9) | 2.080 (52.8) | .731 (18.6) | .375 (9.5) |
| 14/15 | .620 (15.7) | 1.887 (47.9) | .870 (22.1) | 1.827 (46.4) | .280 (7.1) | 2.150 (54.6) | .831 (21.1) | .500 (12.7) |
| 16/17 | .680 (17.3) | 1.987 (50.5) | .930 (23.6) | 1.927 (48.9) | .420 (10.7) | 2.200 (55.9) | .981 (24.9) | .625 (15.9) |
| 18/19 | .750 (19.1) | 2.045 (51.9) | 1.000 (25.4) | 1.985 (50.4) | .640 (16.3) | 2.230 (56.6) | 1.181 (30.0) | .625 (15.9) |
| 20/21 | .820 (20.8) | 2.106 (53.5) | 1.060 (26.9) | 2.046 (52.0) | .640 (16.3) | 2.230 (56.6) | 1.181 (30.0) | .625 (15.9) |
| 22/23 | .880 (22.4) | 2.167 (55.0) | 1.120 (28.4) | 2.107 (53.5) | .540 (13.7) | 2.380 (60.5) | 1.181 (30.0) | .750 (19.1) |
| 24/25 | .940 (23.9) | 2.225 (56.5) | 1.180 (30.0) | 2.165 (55.0) | .540 (13.7) | 2.380 (60.5) | 1.181 (30.0) | .750 (19.1) |

TABLE IV: CABLE ENTRY

| Dash No. | M Max | Cable Range | |
|----------|--------------|--------------|--------------|
| | | Min | Max |
| 02 | .968 (24.6) | .125 (3.2) | .250 (6.4) |
| 03 | 1.046 (26.6) | .250 (6.4) | .375 (9.5) |
| 04 | 1.156 (29.4) | .312 (7.9) | .500 (12.7) |
| 05 | 1.218 (30.9) | .437 (11.1) | .625 (15.9) |
| 06 | 1.343 (34.1) | .562 (14.3) | .750 (19.1) |
| 07 | 1.468 (37.3) | .687 (17.4) | .875 (22.2) |
| 08 | 1.593 (40.5) | .812 (20.6) | 1.000 (25.4) |
| 10 | 1.843 (46.8) | 1.062 (27.0) | 1.250 (31.8) |

TABLE V: CABLE ENTRY

| Dash No. | N Max | Cable Entry Max |
|----------|--------------|-----------------|
| | | |
| 02 | .781 (19.8) | .250 (6.4) |
| 03 | .906 (23.0) | .375 (9.5) |
| 04 | 1.031 (26.2) | .500 (12.7) |
| 05 | 1.156 (29.4) | .625 (15.9) |
| 06 | 1.281 (32.5) | .750 (19.1) |
| 07 | 1.406 (35.7) | .875 (22.2) |
| 08 | 1.531 (38.9) | 1.000 (25.4) |
| 09 | 1.656 (42.1) | 1.125 (28.6) |
| 10 | 1.781 (45.2) | 1.250 (31.8) |

1. When maximum cable entry (page 21) is exceeded (not available in Symbol C), Style 2 will be supplied. Dimensions E, F, G and H will not apply. Please consult factory.
2. Metric dimensions (mm) are indicated in parentheses.
3. Cable range is defined as the accommodations range for the wire bundle or cable. Dimensions shown are not intended for inspection criteria.
4. Angular function "C", low-profile split elbow, not available with "S" connector designator.

X-ON Electronics

Largest Supplier of Electrical and Electronic Components

Click to view similar products for [Circular MIL Spec Backshells](#) category:

Click to view products by [Glenair](#) manufacturer:

Other Similar products are found below :

[5M2919-3DW](#) [5M2920-3CW](#) [5M2953-1HW](#) [60-036152-022](#) [610HS012M15](#) [M28840/504WA](#) [M28840/805WB](#) [M28840/809WA](#)
[M28840/815WA](#) [M28840/816WA](#) [627AS017M14](#) [62GB5851608S](#) [655HS002NF11](#) [CW3703-000](#) [CW3899-000](#) [M85049/10-134S](#)
[M85049/10-17S](#) [M85049/10-33S](#) [M85049/10-94W](#) [M85049/11-09W](#) [M85049/11-28N](#) [M85049/11-37N](#) [M85049/11-53N](#) [M85049/11-63N](#)
[M85049/118-20W](#) [M85049/124-23W](#) [M85049/124S09W](#) [M85049/126S23W](#) [M850491712W02](#) [M85049/1720N04B](#) [M85049/1817N06](#)
[M850491819W03](#) [M85049/1821W05C](#) [M85049/1825W06C](#) [M85049/1919N05](#) [M85049/1919W04](#) [M850491919W07](#) [M85049/23-59W](#)
[M85049/23-74W](#) [M8504924-5W](#) [M85049/24-71N](#) [M85049/25-47N](#) [M85049/25-94W](#) [M85049/27S12N](#) [M8504938-13S](#) [M85049/38-19S](#)
[M85049/39-11S](#) [M85049/39-17S](#) [M85049/39-9S](#) [M85049/3W4A2](#)