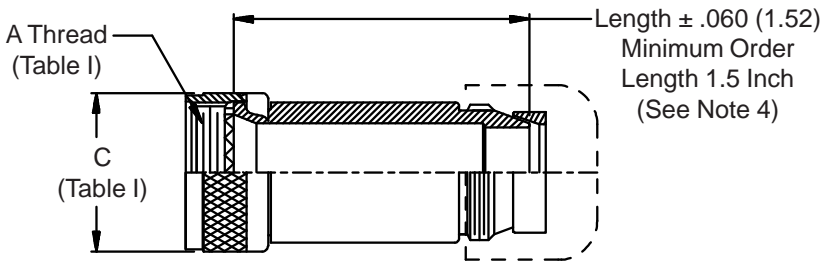
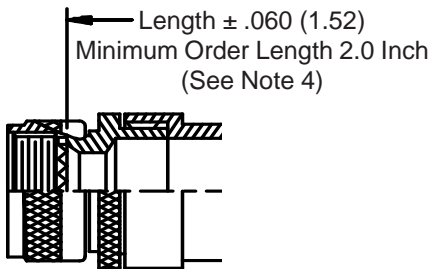
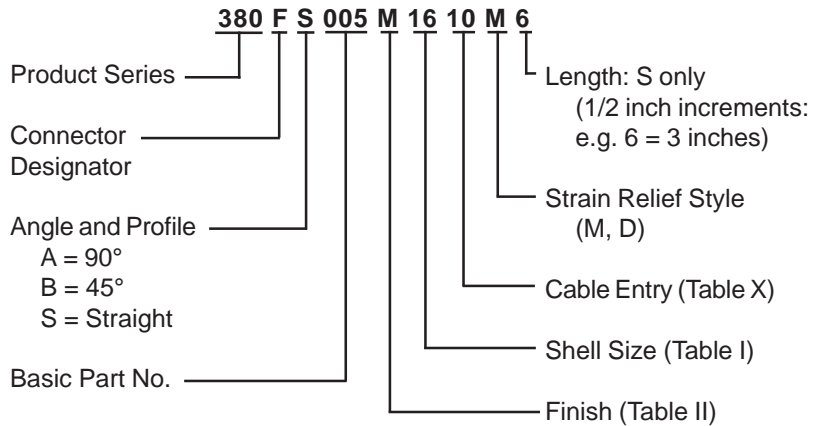
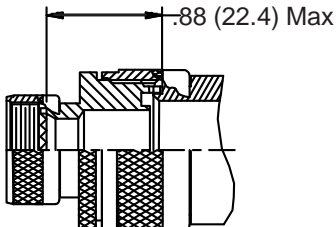


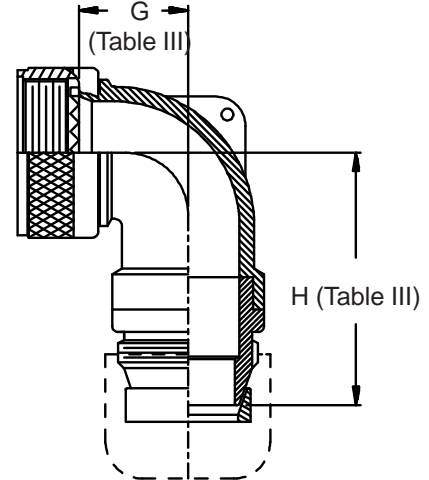
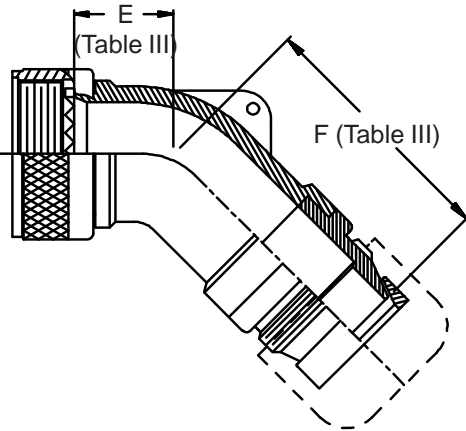
**CONNECTOR  
 DESIGNATORS**  
**A-F-H-L-S**  
**ROTATABLE  
 COUPLING**  
**TYPE C OVERALL  
 SHIELD TERMINATION**



**STYLE 2  
 (STRAIGHT  
 See Note 1)**



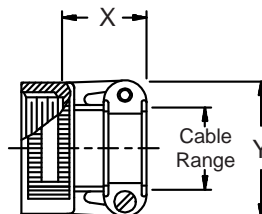
**STYLE 2  
 (45° & 90°  
 See Note 1)**



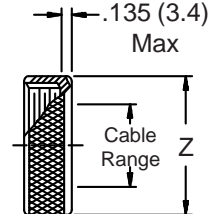
**STYLE M  
 Medium Duty - Dash No. 01-04  
 (Table X)**



**STYLE M  
 Medium Duty - Dash No. 10-28  
 (Table X)**



**STYLE D  
 Medium Duty  
 (Table X)**



**380-005**  
**EMI/RFI Non-Environmental Backshell**  
**Heavy-Duty with Strain Relief**  
**Type C - Rotatable Coupling - Low Profile**



See inside back cover fold-out or pages 13 and 14 for Unabridged Tables I and II.

**TABLE III: ELBOW DIMENSIONS**

Shell Size		E		F		G		H	
Conn. Desig.	H	Max	(mm)	Max	(mm)	Max	(mm)	Max	(mm)
A-F-L-S									
08	09	.457	(11.6)	1.848	(46.9)	.500	(12.7)	1.858	(47.2)
10	11	.520	(13.2)	1.908	(48.5)	.595	(15.1)	1.978	(50.2)
12	13	.582	(14.8)	1.968	(50.0)	.610	(15.5)	1.998	(50.7)
14	15	.645	(16.4)	2.347	(59.6)	.700	(17.8)	2.357	(59.9)
16	17	.738	(18.7)	2.457	(62.4)	.885	(22.5)	2.447	(62.2)
18	19	.926	(23.5)	2.647	(67.2)	.975	(24.8)	2.617	(66.5)
20	21	.926	(23.5)	2.647	(67.2)	.975	(24.8)	2.617	(66.5)
22	23	1.020	(25.9)	2.922	(74.2)	1.125	(28.6)	2.852	(72.4)
24	25	1.020	(25.9)	2.922	(74.2)	1.125	(28.6)	2.852	(72.4)
28		1.145	(29.1)	2.972	(75.5)	1.225	(31.1)	3.022	(76.8)
32		1.207	(30.7)	3.072	(78.0)	1.575	(40.0)	3.272	(83.1)
36		1.238	(31.4)	3.162	(80.3)	1.775	(45.1)	3.272	(83.1)

**TABLE X: CABLE ENTRY**

Dash No.	X Max	Y Max	Z Max	Cable Range	
				Min	Max
01	.850 (21.6)	.781 (19.8)	.593 (15.1)	.062 (1.6)	.125 (3.2)
02	.850 (21.6)	.968 (24.6)	.718 (18.2)	.125 (3.2)	.250 (6.4)
03	.850 (21.6)	1.046 (26.6)	.843 (21.4)	.250 (6.4)	.375 (9.5)
04	.850 (21.6)	1.156 (29.4)	.968 (24.6)	.375 (9.5)	.500 (12.7)
10	.760 (19.3)	1.281 (32.5)	1.192 (30.3)	.375 (9.5)	.625 (15.9)
12	.760 (19.3)	1.500 (38.1)	1.380 (35.1)	.438 (11.1)	.750 (19.1)
16	1.073 (27.3)	1.719 (43.7)	1.535 (39.0)	.562 (14.3)	.938 (23.8)
20	1.323 (33.6)	2.062 (52.4)	1.848 (46.9)	.750 (19.1)	1.250 (31.8)
24	1.323 (33.6)	2.312 (58.7)	2.255 (57.3)	.875 (22.2)	1.375 (34.9)
28	1.572 (39.9)	2.719 (69.1)	2.505 (63.6)	1.125 (28.6)	1.625 (41.3)

- When maximum cable entry (page 21) is exceeded, Style 2 will be supplied.  
 Dimensions E, F, G and H will not apply. Please consult factory.
- Metric dimensions (mm) are indicated in parentheses.
- Cable range is defined as the accommodations range for the wire bundle or cable.  
 Dimensions shown are not intended for inspection criteria.
- Consult factory for shorter lengths on straight backshells.

**TABLE II: STANDARD FINISHES**

GLENAIR SYMBOL	FINISH
B	Cadmium Plate, Olive Drab
M	Electroless Nickel
NF	Cadmium Plate, Olive Drab Over Electroless Nickel

**See Inside Back Cover for Additional Finish Options**

## X-ON Electronics

Largest Supplier of Electrical and Electronic Components

*Click to view similar products for* [Circular MIL Spec Tools, Hardware & Accessories](#) *category:*

*Click to view products by* [Glenair](#) *manufacturer:*

Other Similar products are found below :

[809-199-3](#) [001104](#) [300 04](#) [600-006-16](#) [600-079-06](#) [M10-101982-143](#) [M10-101982-163](#) [M10-101983-183](#) [M10-150912-083](#) [M10-454396-008](#) [602GB18808](#) [M225201-06](#) [M24758-20E21](#) [M2887610-BC](#) [M2887615-CD](#) [M38999/9-19B](#) [62GB-812-10](#) [630A007NF083A](#) [630B007M051A](#) [630BJ003NF032H](#) [637-149NF04B](#) [M39029/29-215](#) [650FS002NF16](#) [M81969-14-02](#) [660-008NF14S7-01](#) [660-009M22H8-03](#) [660-013NF19U6-210](#) [660-015M10S6-17](#) [660-015NF10S5-01](#) [660-015NF14R3.5-01](#) [660-023NF19H6-19](#) [660-024N09S5-104](#) [660-024NF11S12-01](#) [660-024NF11S3-01](#) [660-050XM17F4-01](#) [660-068NF25R6-30G](#) [660-070M23S8-04](#) [660-073MTCH9-20](#) [M83723/60-116RC](#) [M83723/61-18W](#) [M83723/61-218R](#) [M83723/61-224W](#) [667-224NF16](#) [M85049/118S22A](#) [M85049/126S11N](#) [M85049130-07M](#) [M85049140-09BC](#) [M85049/41-16A W/B](#) [687-697NF-1](#) [M85049/75-14-1](#) [M8504980-8](#)