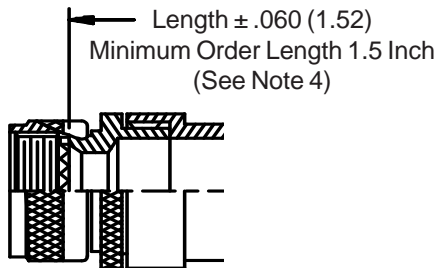
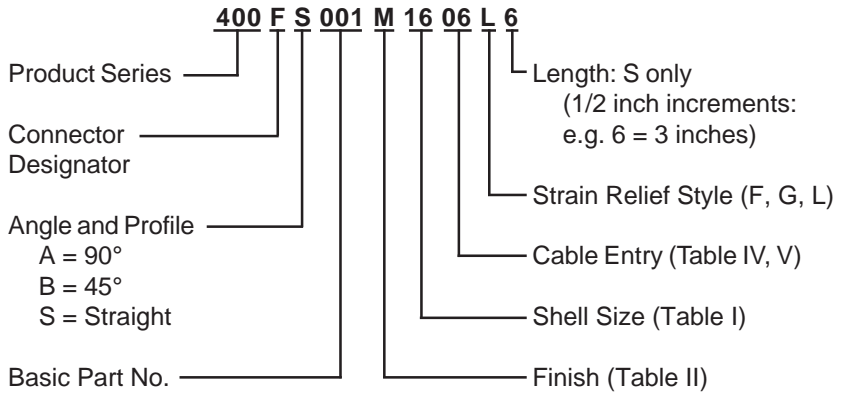
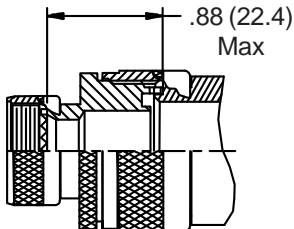
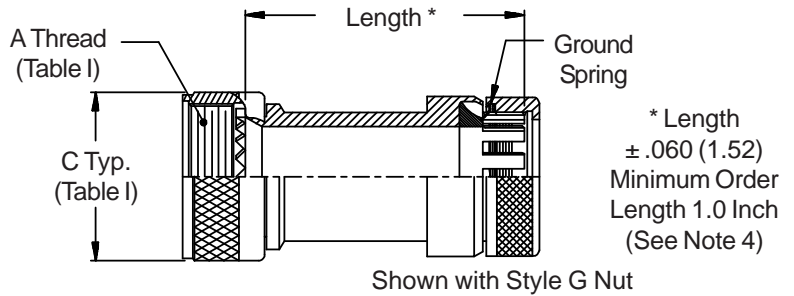


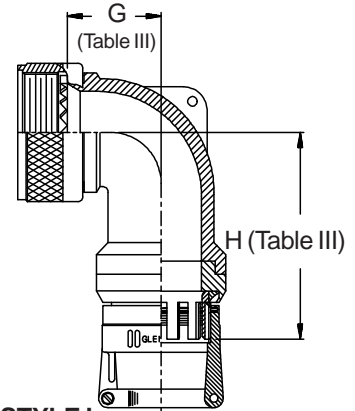
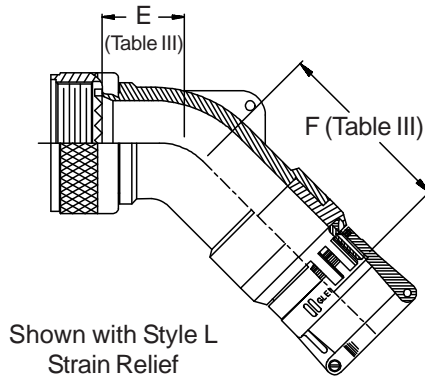
**CONNECTOR
 DESIGNATORS**
A-F-H-L-S
**ROTATABLE
 COUPLING**



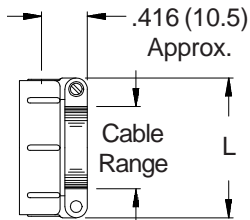
STYLE 2
(STRAIGHT)
 See Note 1)



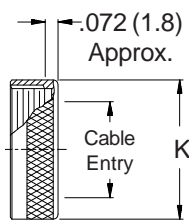
STYLE 2
(45° & 90°)
 See Note 1)



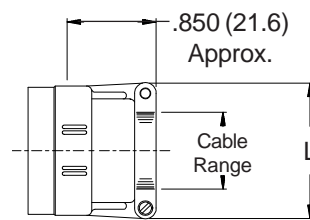
STYLE F
 Light Duty
 (Table V)



STYLE G
 Light Duty
 (Table IV)



STYLE L
 Light Duty
 (Table V)



400-001
TAG® Ring Backshell
 with Strain Relief
 Rotatable Coupling - Low Profile



See inside back cover
 fold-out or pages 13 and
 14 for Tables I and II.

TABLE III: ELBOW DIMENSIONS									
Shell Size		E		F		G		H	
Conn. Desig.	H	Max	(mm)	Max	(mm)	Max	(mm)	Max	(mm)
A-F-L-S									
08	09	.457	(11.6)	1.660	(42.2)	.500	(12.7)	1.670	(42.4)
10	11	.520	(13.2)	1.720	(43.7)	.595	(15.1)	1.790	(45.5)
12	13	.582	(14.8)	1.780	(45.2)	.610	(15.5)	1.810	(46.0)
14	15	.645	(16.4)	1.870	(47.5)	.700	(17.8)	1.880	(47.8)
16	17	.738	(18.7)	1.980	(50.3)	.885	(22.5)	1.970	(50.0)
18	19	.926	(23.5)	2.170	(55.1)	.975	(24.8)	2.140	(54.4)
20	21	.926	(23.5)	2.170	(55.1)	.975	(24.8)	2.140	(54.4)
22	23	1.020	(25.9)	2.320	(58.9)	1.125	(28.6)	2.250	(57.2)
24	25	1.020	(25.9)	2.320	(58.9)	1.125	(28.6)	2.250	(57.2)
28		1.145	(29.1)	2.370	(60.2)	1.225	(31.1)	2.420	(61.5)
32		1.207	(30.7)	2.470	(62.7)	1.575	(40.0)	2.670	(67.8)
36		1.238	(31.4)	2.560	(65.0)	1.775	(45.1)	2.670	(67.8)

TABLE IV: CABLE ENTRY			
Dash No.	K Max	Cable Entry Max	
02	.545 (13.8)	.250	(6.4)
03	.670 (17.0)	.375	(9.5)
04	.795 (20.2)	.500	(12.7)
05	.920 (23.4)	.625	(15.9)
06	1.045 (26.5)	.750	(19.1)
07	1.170 (29.7)	.875	(22.2)
08	1.295 (32.9)	1.000	(25.4)
09	1.420 (36.1)	1.125	(28.6)
10	1.670 (42.4)	1.250	(31.8)

TABLE V: CABLE ENTRY					
Dash No.	L Max	Cable Range			
		Min	Max		
02	.968 (24.6)	.125 (3.2)	.250	(6.4)	
03	1.046 (26.6)	.250 (6.4)	.375	(9.5)	
04	1.156 (29.4)	.250 (6.4)	.500	(12.7)	
05	1.218 (30.9)	.375 (9.5)	.625	(15.9)	
06	1.343 (34.1)	.500 (12.7)	.750	(19.1)	
07	1.468 (37.3)	.625 (15.9)	.875	(22.2)	
08	1.593 (40.5)	.625 (15.9)	1.000	(25.4)	
09	1.718 (43.6)	.750 (19.1)	1.125	(28.6)	
10	1.843 (46.8)	.875 (22.2)	1.250	(31.8)	

1. When maximum cable entry (page 21) is exceeded, Style 2 will be supplied. Dimensions E, F, G and H will not apply. Please consult factory.
2. Metric dimensions (mm) are indicated in parentheses.
3. Cable range is defined as the accommodations range for the wire bundle or cable. Dimensions shown are not intended for inspection criteria.
4. Consult factory for shorter lengths on straight backshells.

X-ON Electronics

Largest Supplier of Electrical and Electronic Components

Click to view similar products for [Circular MIL Spec Backshells](#) category:

Click to view products by [Glenair](#) manufacturer:

Other Similar products are found below :

[60-036152-022](#) [610HS012M15](#) [M28840/504WA](#) [M28840/805WB](#) [M28840/809WA](#) [M28840/815WA](#) [M28840/816WA](#) [627AS017M14](#)
[627MA124M14S](#) [655HS002NF11](#) [CW3899-000](#) [M85049/10-134S](#) [M85049/10-17S](#) [M85049/10-33S](#) [M85049/10-94W](#) [M85049/11-28N](#)
[M85049/11-37N](#) [M85049/11-53N](#) [M85049/11-63N](#) [M85049/124-23W](#) [M85049/1720N04B](#) [M85049/1821W05C](#) [M85049/1825W06C](#)
[M85049/1919N05](#) [M85049/23-74W](#) [M85049/24-71N](#) [M85049/25-47N](#) [M85049/25-94W](#) [M85049/27S12N](#) [M85049/39-11S](#) [M85049/39-17S](#)
[M85049/39-9S](#) [M85049/6-10B](#) [M85049/6-19N](#) [M85049/6-20B](#) [M85049/77-20W04](#) [M85049/78-11N03](#) [M85049/78-15W02](#) [M85049/78-](#)
[17N04](#) [M85049/78-19N05](#) [M85049/79-19N07](#) [M85049/79-25N04](#) [M85049/82-18N02](#) [M85049/82-22P02](#) [M85049/83-10W03](#) [M85049/84-](#)
[20N03](#) [M85049/8-48N](#) [M85049/85-24N01](#) [M85049/85-24P01](#) [M85049/86-16P03](#)