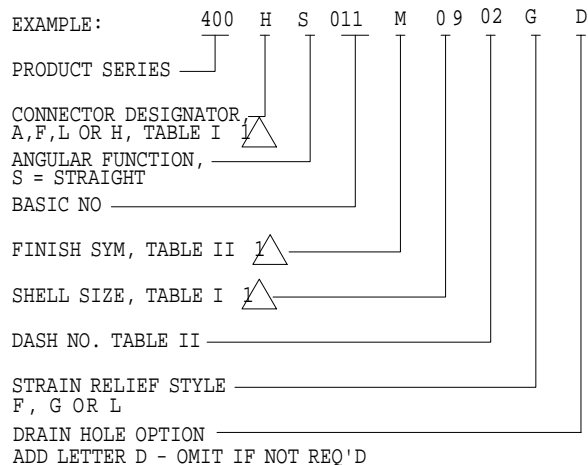


| SHELL SIZE | | | MAX |
|------------|-----|----|---------|
| A | F,L | H | DASH NO |
| 03 | | | 02 |
| 08 | 08 | 09 | 02 |
| 10 | 10 | 11 | 03 |
| 12 | 12 | 13 | 04 |
| 14 | 14 | 15 | 05 |
| 16 | 16 | 17 | 06 |
| 18 | 18 | 19 | 07 |
| 20 | 20 | 21 | 08 |
| 22 | 22 | 23 | 09 |
| 24 | 24 | 25 | 10 |
| 61 | | | 10 |

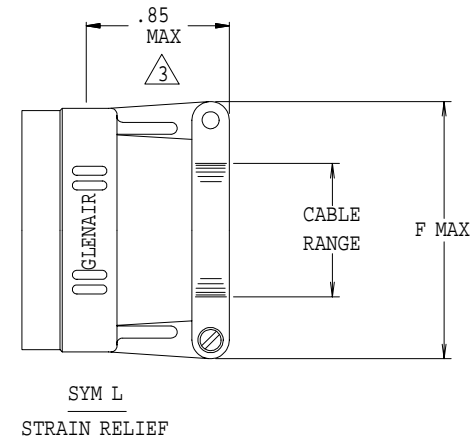
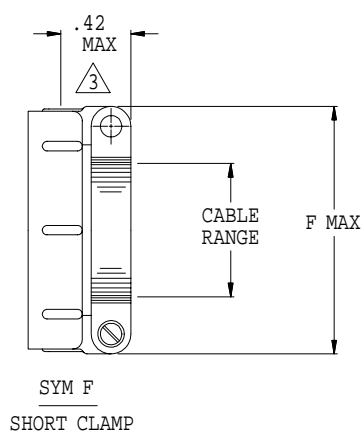
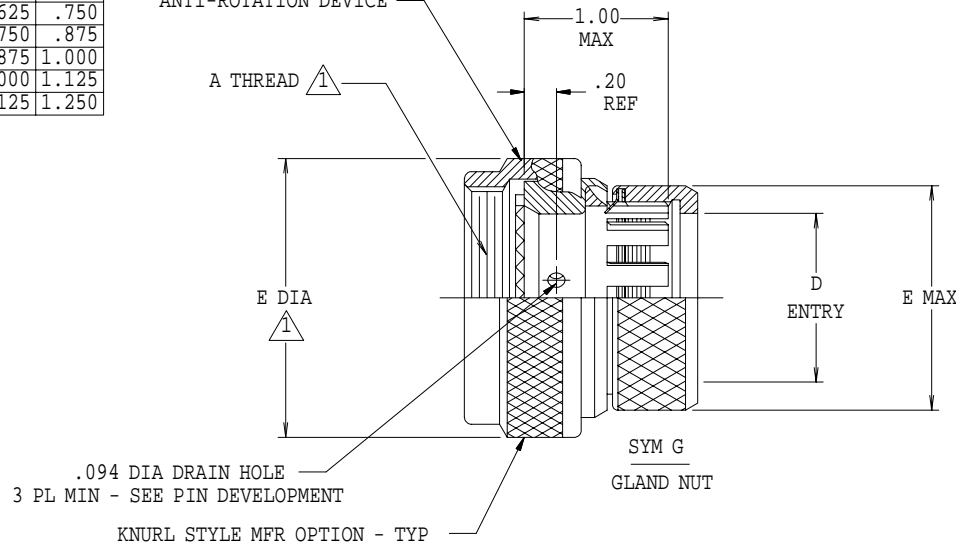
| DASH NO | SYM | D ENTRY | E MAX | F MAX | CABLE RANGE | |
|---------|-----|---------|-------|-------|-------------|-------|
| | | | | | MIN | MAX |
| 02 | AA | .250 | .545 | .969 | .125 | .250 |
| 03 | A | .375 | .670 | 1.046 | .250 | .375 |
| 04 | B | .500 | .795 | 1.156 | .375 | .500 |
| 05 | C | .625 | .920 | 1.218 | .500 | .625 |
| 06 | D | .750 | 1.045 | 1.344 | .625 | .750 |
| 07 | E | .875 | 1.170 | 1.469 | .750 | .875 |
| 08 | F | 1.000 | 1.295 | 1.594 | .875 | 1.000 |
| 09 | G | 1.125 | 1.420 | 1.718 | 1.000 | 1.125 |
| 10 | H | 1.250 | 1.670 | 1.844 | 1.125 | 1.250 |

| SYM. | DESCRIPTION | DATE | APPROVED |
|------|-----------------------|----------|----------|
| A | RELEASED | 02/21/92 | T.L. |
| B | REVISED PER DCN 12404 | 03/29/96 | T.L. |
| C | REVISED PER DCN 13256 | 07/08/97 | T.L. |
| D | REVISED PER DCN 13521 | 12/17/97 | LUU |

PART NUMBER DEVELOPMENT



ANTI-ROTATION DEVICE



NOTES:

- $\triangle 1$ SEE SHEET 2 (COMMON ACCESSORY INTERFACE DATA).
- GLENAIR 600 SERIES BACKSHELL ASSEMBLY TOOLS ARE RECOMMENDED FOR ASSEMBLY AND INSTALLATION.
- $\triangle 3$ THIS DIMENSION IS MEASURED FROM THE END OF TAG RING ADAPTER TO END OF STRAIN RELIEF.
- MATERIAL/FINISH:**
 ADAPTER, COUPLING - NUT, CLAMP, TAG RING BODY - AL ALLOY/SEE TABLE II
 TAG RING NUT - AL ALLOY/GOLD IRIDITE
 TAG RING SPRING - BERYLLIUM COPPER/GOLD PLATE
 CLAMP HARDWARE - CRES/PASSIVATE
 ANTI-ROTATION DEVICE - CORROSION RESISTANT MATERIAL/N.A.

| | | |
|--|-------------------------------|---|
| UNLESS OTHERWISE SPECIFIED DIMENSIONS ARE IN INCHES TOLERANCES: FRACTIONS $\pm 1/16$ DECIMALS .XX $\pm .03$.XXX $\pm .015$ ANGLES $\pm 2^\circ$ | DRAWN T. LE 02/21/92 | GLENAIR, INC. CAD 1992 © 1211 AIR WAY - GLENDALE - CALIFORNIA 91201 |
| | CHECK G. BURGE 02/21/92 | |
| | ENGR P. OAKES 02/21/92 | |
| DO NOT SCALE THIS DRAWING | RELEASE DATE 02/21/92 | BACKSHELL TAG RING SELF-LOCKING |
| B/F 8830 P/C 400 | NON REPARABLE COMMERCIAL ITEM | CODE IDENT. NO. 06324 SIZE C 400-011 REV. D |
| | SCALE N/A | WEIGHT N/A SHEET 1 OF 2 |

X-ON Electronics

Largest Supplier of Electrical and Electronic Components

Click to view similar products for [Circular MIL Spec Backshells](#) category:

Click to view products by [Glenair](#) manufacturer:

Other Similar products are found below :

[60-036152-022](#) [610HS012M15](#) [M28840/504WA](#) [M28840/805WB](#) [M28840/809WA](#) [M28840/815WA](#) [M28840/816WA](#) [627AS017M14](#)
[627MA124M14S](#) [655HS002NF11](#) [CW3899-000](#) [M85049/10-134S](#) [M85049/10-17S](#) [M85049/10-33S](#) [M85049/10-94W](#) [M85049/11-28N](#)
[M85049/11-37N](#) [M85049/11-53N](#) [M85049/11-63N](#) [M85049/124-23W](#) [M85049/1720N04B](#) [M85049/1821W05C](#) [M85049/1825W06C](#)
[M85049/1919N05](#) [M85049/23-74W](#) [M85049/24-71N](#) [M85049/25-47N](#) [M85049/25-94W](#) [M85049/27S12N](#) [M85049/39-11S](#) [M85049/39-17S](#)
[M85049/39-9S](#) [M85049/6-10B](#) [M85049/6-19N](#) [M85049/6-20B](#) [M85049/77-20W04](#) [M85049/78-11N03](#) [M85049/78-15W02](#) [M85049/78-](#)
[17N04](#) [M85049/78-19N05](#) [M85049/79-19N07](#) [M85049/79-25N04](#) [M85049/82-18N02](#) [M85049/82-22P02](#) [M85049/83-10W03](#) [M85049/84-](#)
[20N03](#) [M85049/8-48N](#) [M85049/85-24N01](#) [M85049/85-24P01](#) [M85049/86-16P03](#)