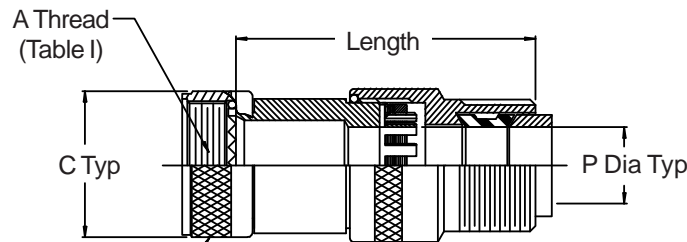
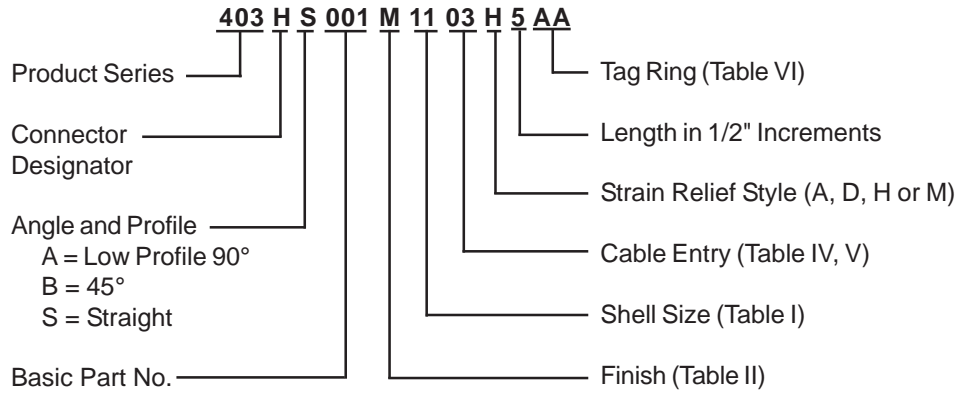
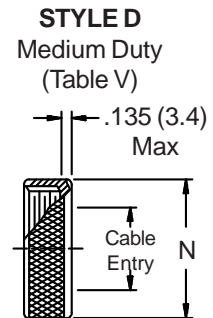
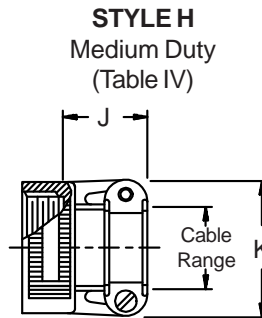
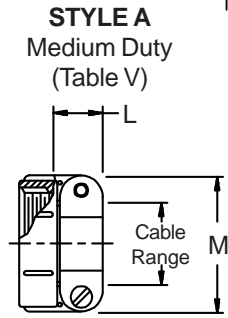
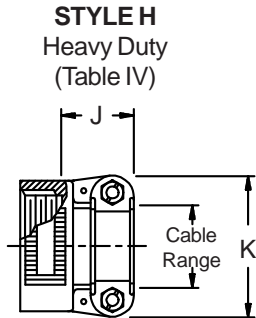
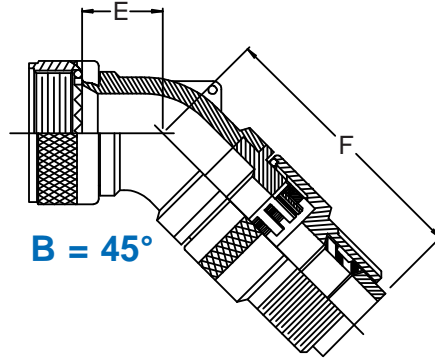
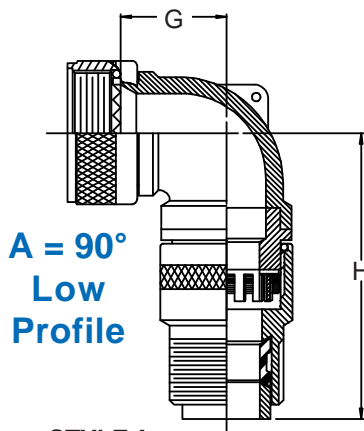
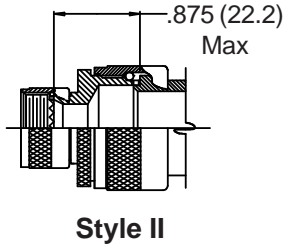


CONNECTOR DESIGNATORS
A-F-L-H

ROTATABLE COUPLING



S = Straight



403-001
TAG® Ring Backshell
 Environmental
 Rotatable Coupling - Low Profile



See inside back cover fold-out or pages 13 and 14 for Tables I and II.

Shell Size Conn. Desig.		E	F	G	H
A-F-L	H	Max	Max	Max	Max
08	09	.457 (19.1)	2.680 (68.1)	.500 (12.7)	2.680 (68.1)
10	11	.520 (20.6)	3.070 (78.0)	.595 (15.1)	2.800 (71.1)
12	13	.582 (22.1)	3.130 (79.5)	.610 (15.5)	3.160 (80.3)
14	15	.645 (23.4)	3.230 (82.0)	.700 (17.8)	3.230 (82.0)
16	17	.738 (24.9)	3.330 (84.6)	.885 (22.5)	3.230 (82.0)
18	19	.926 (25.9)	3.430 (87.1)	.975 (24.8)	3.560 (90.4)
20	21	.926 (27.4)	3.590 (91.2)	.975 (24.8)	3.560 (90.4)
22	23	1.020 (29.0)	3.720 (94.5)	1.125 (28.6)	3.650 (92.7)
24	25	1.020 (30.5)	3.720 (94.5)	1.125 (28.6)	3.650 (92.7)
28		1.145 (19.1)	3.890 (98.8)	1.225 (31.1)	3.940 (100.1)
32		1.207 (30.7)	3.990 (101.3)	1.575 (40.0)	4.190 (106.4)
36		1.238 (31.4)	4.080 (103.6)	1.775 (45.1)	4.190 (106.4)

Dash No.	J	K	Cable Range	
	Max	Max	Min	Max
04	.780 (19.8)	.957 (24.3)	.125 (3.2)	.312 (7.9)
06	.780 (19.8)	1.145 (29.1)	.250 (6.4)	.437 (11.1)
08	.780 (19.8)	1.332 (33.8)	.312 (7.9)	.562 (14.3)
10	.780 (19.8)	1.332 (33.8)	.350 (8.9)	.625 (15.9)
12	.811 (20.6)	1.551 (39.4)	.500 (12.7)	.750 (19.1)
16	.905 (23.0)	1.770 (45.0)	.625 (15.9)	.937 (23.8)
20	1.092 (27.7)	2.113 (53.7)	.875 (22.2)	1.250 (31.8)
24	1.124 (28.5)	2.363 (60.0)	1.000 (25.4)	1.375 (34.9)
28	1.399 (35.5)	2.770 (70.4)	1.250 (31.8)	1.625 (41.3)
32	1.399 (35.5)	3.020 (76.7)	1.437 (36.5)	1.875 (47.6)

Sym	Size	P Dia	Max Clamp
AA	2	.250 (6.4)	08
A	3	.357 (9.1)	10
B	4	.500 (12.7)	12
C	5	.625 (15.9)	16
D	6	.750 (19.1)	20
E	7	.875 (22.2)	20
F	8	1.000 (25.4)	24
G	9	1.125 (28.6)	28
H	10	1.250 (31.8)	32
J	11	1.375 (34.9)	40

Dash No.	L	M	N	Cable Range	
	Max	Max	Max	Min	Max
03	.760 (19.3)	.843 (21.4)	.630 (16.0)	.156 (4.0)	.250 (6.4)
04	.760 (19.3)	.906 (23.0)	.755 (19.2)	.188 (4.8)	.312 (7.9)
06	.760 (19.3)	1.093 (27.8)	.942 (23.9)	.281 (7.1)	.438 (11.1)
08	.760 (19.3)	1.187 (30.1)	1.067 (27.1)	.344 (8.7)	.562 (14.3)
10	.760 (19.3)	1.281 (32.5)	1.192 (30.3)	.375 (9.5)	.625 (15.9)
12	.760 (19.3)	1.500 (38.1)	1.380 (35.1)	.438 (11.1)	.750 (19.1)
16	1.073 (27.3)	1.719 (43.7)	1.535 (39.0)	.562 (14.3)	.938 (23.8)
20	1.323 (33.6)	2.062 (52.4)	1.848 (46.9)	.750 (19.1)	1.250 (31.8)
24	1.323 (33.6)	2.312 (58.7)	2.255 (57.3)	.781 (19.8)	1.375 (34.9)
28	1.572 (39.9)	2.719 (69.1)	2.505 (63.5)	.969 (24.6)	1.625 (41.3)
32	1.572 (39.9)	2.969 (75.4)	2.755 (70.0)	1.125 (28.6)	1.875 (47.6)
40	1.572 (39.9)	2.531 (64.3)	3.255 (82.7)	1.469 (37.3)	2.375 (60.3)

- Standard minimum length for Style I is 2.5 inches, and for Style II is 3 inches. For shorter length, consult factory. (Applies to Straight configuration only).
- Metric dimensions (mm) are indicated in parentheses.
- When maximum cable range (Table III) is exceeded, Style II will be supplied. Note: E, F, G and H do not apply to Style II.
- Cable range is defined as the accommodations range for the wire bundle or cable. Dimensions shown are not intended for inspection criteria.

X-ON Electronics

Largest Supplier of Electrical and Electronic Components

Click to view similar products for [Circular MIL Spec Backshells](#) category:

Click to view products by [Glenair](#) manufacturer:

Other Similar products are found below :

[60-036152-022](#) [610HS012M15](#) [M28840/504WA](#) [M28840/805WB](#) [M28840/809WA](#) [M28840/815WA](#) [M28840/816WA](#) [627AS017M14](#)
[627MA124M14S](#) [655HS002NF11](#) [CW3899-000](#) [M85049/10-134S](#) [M85049/10-17S](#) [M85049/10-33S](#) [M85049/10-94W](#) [M85049/11-28N](#)
[M85049/11-37N](#) [M85049/11-53N](#) [M85049/11-63N](#) [M85049/124-23W](#) [M85049/1720N04B](#) [M85049/1821W05C](#) [M85049/1825W06C](#)
[M85049/1919N05](#) [M85049/23-74W](#) [M85049/24-71N](#) [M85049/25-47N](#) [M85049/25-94W](#) [M85049/27S12N](#) [M85049/39-11S](#) [M85049/39-17S](#)
[M85049/39-9S](#) [M85049/6-10B](#) [M85049/6-19N](#) [M85049/6-20B](#) [M85049/77-20W04](#) [M85049/78-11N03](#) [M85049/78-15W02](#) [M85049/78-](#)
[17N04](#) [M85049/78-19N05](#) [M85049/79-19N07](#) [M85049/79-25N04](#) [M85049/82-18N02](#) [M85049/82-22P02](#) [M85049/83-10W03](#) [M85049/84-](#)
[20N03](#) [M85049/8-48N](#) [M85049/85-24N01](#) [M85049/85-24P01](#) [M85049/86-16P03](#)