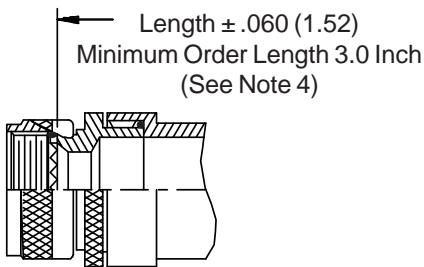
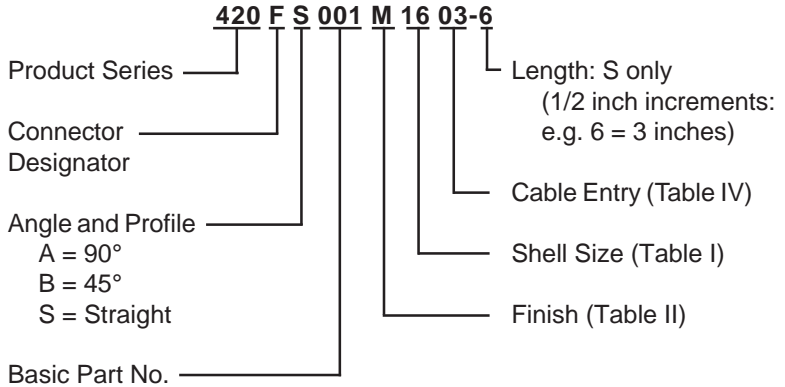


**CONNECTOR  
 DESIGNATORS  
 A-F-H-L-S  
 ROTATABLE  
 COUPLING**



**STYLE 2  
 (STRAIGHT)**

A Thread  
 (Table I)

Length \*  
 O-Ring

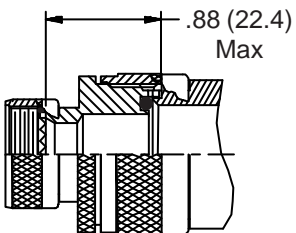
Sealtite/Liquidite  
 Conduit or Equivalent  
 (Customer Furnished)

C Typ.  
 (Table I)

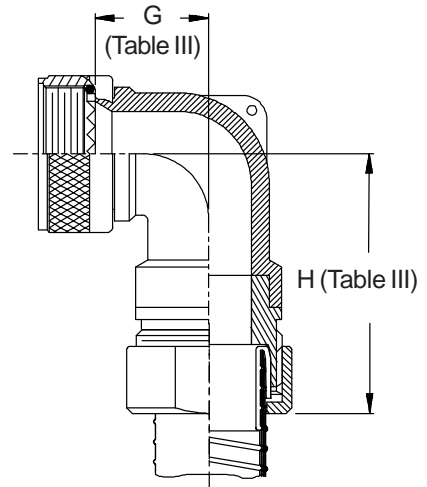
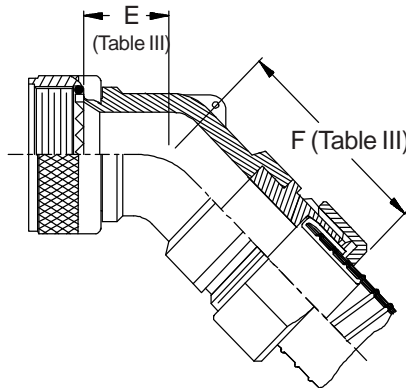
K \*\* L \*\* M \*\*

\* Length ± .060 (1.52)  
 Minimum Order Length 2.5 Inch  
 (See Note 4)

N Wrench Flat  
 (Table IV) \*\* (Table IV)



**STYLE 2  
 (45° & 90°)**



See inside back cover  
 fold-out or pages 13 and  
 14 for Tables I and II.

<b>TABLE III: ELBOW DIMENSIONS</b>												
<b>Shell Size</b>				<b>E</b>		<b>F</b>		<b>G</b>		<b>H</b>		
<b>Conn. Desig.</b>	<b>A-F-L-S</b>	<b>H</b>										
				<b>Max</b>		<b>Max</b>		<b>Max</b>		<b>Max</b>		
08	09	.457	(11.6)	1.810	(46.0)	.500	(12.7)	1.820	(46.2)			
10	11	.520	(13.2)	1.870	(47.5)	.595	(15.1)	1.940	(49.3)			
12	13	.582	(14.8)	1.930	(49.0)	.610	(15.5)	1.960	(49.8)			
14	15	.645	(16.4)	2.020	(51.3)	.700	(17.8)	2.030	(51.6)			
16	17	.738	(18.7)	2.130	(54.1)	.885	(22.5)	2.120	(53.8)			
18	19	.926	(23.5)	2.320	(58.9)	.975	(24.8)	2.290	(58.2)			
20	21	.926	(23.5)	2.320	(58.9)	.975	(24.8)	2.290	(58.2)			
22	23	1.020	(25.9)	2.470	(62.7)	1.125	(28.6)	2.400	(61.0)			
24	25	1.020	(25.9)	2.470	(62.7)	1.125	(28.6)	2.400	(61.0)			
28		1.145	(29.1)	2.520	(64.0)	1.225	(31.1)	2.570	(65.3)			
32		1.207	(30.7)	2.620	(66.5)	1.575	(40.0)	2.820	(71.6)			
36		1.238	(31.4)	2.710	(68.8)	1.775	(45.1)	2.820	(71.6)			

<b>TABLE IV: CABLE ENTRY</b>													
<b>Dash No.</b>	<b>Conduit Size (Ref.)</b>	<b>K Dimension (Ref)</b>				<b>L Dimension (Ref)</b>				<b>M Max</b>	<b>N Max Wrench Flats</b>		
		<b>Min</b>	<b>Max</b>	<b>Min</b>	<b>Max</b>	<b>Min</b>	<b>Max</b>	<b>Min</b>	<b>Max</b>				
01	3/8	.484	(12.3)	.504	(12.8)	.690	(17.5)	.710	(18.0)	1.155	(29.3)	1.000	(25.4)
02	1/2	.622	(15.8)	.642	(16.3)	.820	(20.8)	.840	(21.3)	1.282	(32.6)	1.125	(28.6)
03	3/4	.820	(20.8)	.840	(21.3)	1.030	(26.2)	1.050	(26.7)	1.531	(38.9)	1.375	(34.9)
04	1	1.041	(26.4)	1.066	(27.1)	1.290	(32.8)	1.315	(33.4)	1.781	(45.2)	1.625	(41.3)
05	1 1/4	1.380	(35.1)	1.410	(35.8)	1.630	(41.4)	1.660	(42.2)	2.218	(56.3)	2.062	(52.4)
06	1 1/2	1.575	(40.0)	1.600	(40.6)	1.875	(47.6)	1.900	(48.3)	2.468	(62.7)	2.312	(58.7)
07	2	2.020	(51.3)	2.045	(51.9)	2.350	(59.7)	2.375	(60.3)	3.031	(77.0)	2.875	(73.0)

1. When maximum cable entry (page 21) is exceeded, Style 2 will be supplied. Dimensions E, F, G and H will not apply. Please consult factory.
2. Metric dimensions (mm) are indicated in parentheses.
3. Cable range is defined as the accommodations range for the wire bundle or cable. Dimensions shown are not intended for inspection criteria.
4. Consult factory for shorter lengths on straight backshells.
5. O-Ring not supplied with Connector Designator A.
6. Sealtite is a trademark of Anaconda Corp.

## X-ON Electronics

Largest Supplier of Electrical and Electronic Components

*Click to view similar products for [Circular MIL Spec Backshells](#) category:*

*Click to view products by [Glenair](#) manufacturer:*

Other Similar products are found below :

[60-036152-022](#) [610HS012M15](#) [M28840/504WA](#) [M28840/805WB](#) [M28840/809WA](#) [M28840/815WA](#) [M28840/816WA](#) [627AS017M14](#)  
[627MA124M14S](#) [655HS002NF11](#) [CW3899-000](#) [M85049/10-134S](#) [M85049/10-17S](#) [M85049/10-33S](#) [M85049/10-94W](#) [M85049/11-28N](#)  
[M85049/11-37N](#) [M85049/11-53N](#) [M85049/11-63N](#) [M85049/124-23W](#) [M85049/1720N04B](#) [M85049/1821W05C](#) [M85049/1825W06C](#)  
[M85049/1919N05](#) [M85049/23-74W](#) [M85049/24-71N](#) [M85049/25-47N](#) [M85049/25-94W](#) [M85049/27S12N](#) [M85049/39-11S](#) [M85049/39-17S](#)  
[M85049/39-9S](#) [M85049/6-10B](#) [M85049/6-19N](#) [M85049/6-20B](#) [M85049/77-20W04](#) [M85049/78-11N03](#) [M85049/78-15W02](#) [M85049/78-](#)  
[17N04](#) [M85049/78-19N05](#) [M85049/79-19N07](#) [M85049/79-25N04](#) [M85049/82-18N02](#) [M85049/82-22P02](#) [M85049/83-10W03](#) [M85049/84-](#)  
[20N03](#) [M85049/8-48N](#) [M85049/85-24N01](#) [M85049/85-24P01](#) [M85049/86-16P03](#)