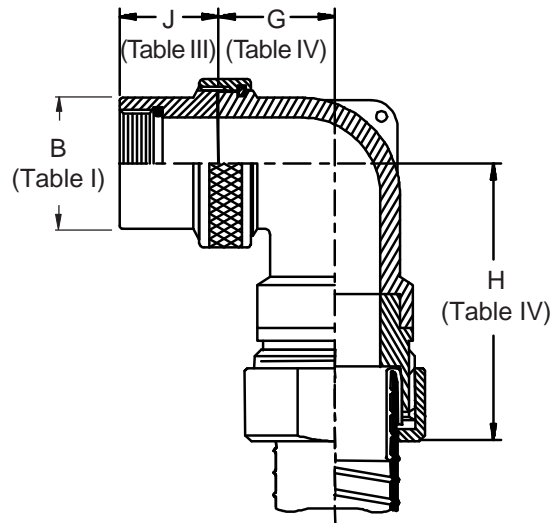
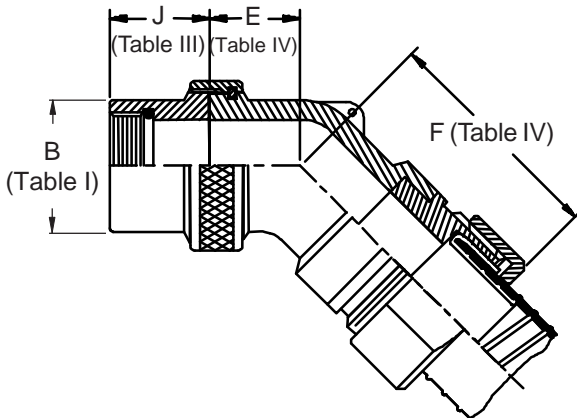
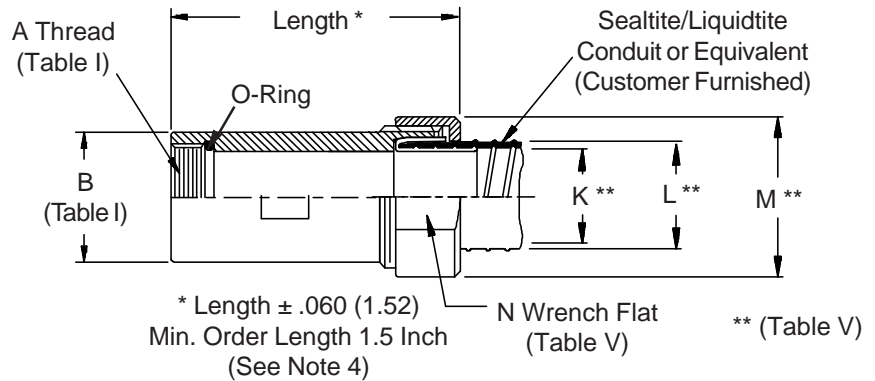
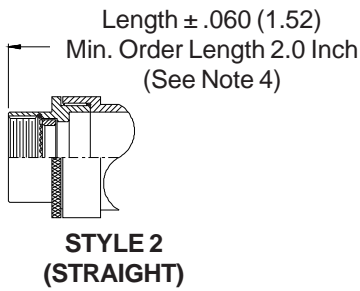
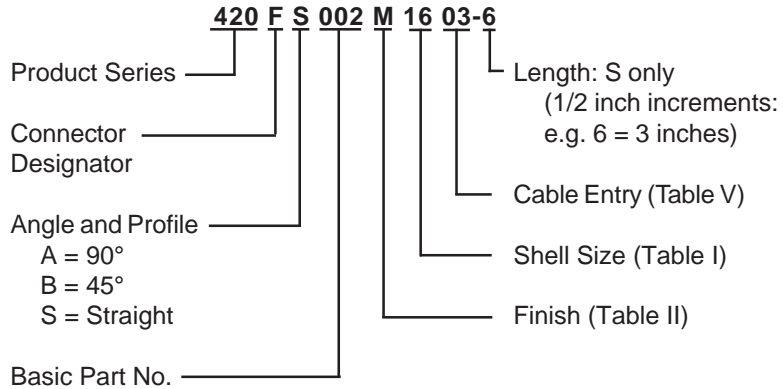


**CONNECTOR
 DESIGNATORS**
A-B*-C-D-E-F
G-H-J-K-L-S
 * Conn. Desig. B See Note 6
DIRECT COUPLING



420-002
Sealtite™/Liquidtite Conduit Backshell
Direct Coupling - Low Profile



TABLE III: FRONT ADAPTER

Shell Size	J Max - Conn. Designator		
	A-E-F		
	J-H-L-S	D-B-G-K	C
08/09	1.180 (30.0)	1.250 (31.8)	
10/11	1.180 (30.0)	1.250 (31.8)	
12/13	1.180 (30.0)	1.250 (31.8)	1.735 (44.1)
14/15	1.180 (30.0)	1.250 (31.8)	1.915 (48.6)
16/17	1.380 (35.0)	1.560 (39.6)	1.915 (48.6)
18/19	1.380 (35.0)	1.560 (39.6)	1.915 (48.6)
20/21	1.380 (35.0)	1.560 (39.6)	1.915 (48.6)
22/23	1.380 (35.0)	1.560 (39.6)	1.915 (48.6)
24/25	1.380 (35.0)	1.560 (39.6)	1.915 (48.6)
28/29	1.610 (40.9)	1.560 (39.6)	1.915 (48.6)
32/33	1.610 (40.9)	1.750 (44.5)	1.915 (48.6)
36	1.610 (40.9)	1.750 (44.5)	1.915 (48.6)
40	1.610 (40.9)	2.190 (55.6)	1.915 (48.6)

See inside back cover
 fold-out or pages 13 and
 14 for Tables I and II.

1. When maximum cable entry (page 22) is exceeded, Style 2 will be supplied. (Function S only).
2. Metric dimensions (mm) are indicated in parentheses.
3. Cable range is defined as the accommodations range for the wire bundle or cable. Dimensions shown are not intended for inspection criteria.
4. Consult factory for shorter lengths on straight backshells.
5. Sealtite is a trademark of Anaconda Corp.
6. When using Connector Designator B refer to pages 18 and 19 for part number development.

TABLE IV: ELBOW DIMENSIONS

Elbow Size	E Max	F Max	G Max	H Max
01	.630 (16.0)	1.870 (47.5)	.709 (18.0)	1.940 (49.3)
02	.692 (17.6)	1.930 (49.0)	.734 (18.6)	1.960 (49.8)
03	.848 (21.5)	2.130 (54.1)	.990 (25.1)	2.120 (53.8)
04	1.036 (26.3)	2.320 (58.9)	1.090 (27.7)	2.290 (58.2)
05	1.130 (28.7)	2.470 (62.7)	1.325 (33.7)	2.400 (61.0)
06	1.317 (33.5)	2.620 (66.5)	1.827 (46.4)	2.820 (71.6)
07	1.348 (34.2)	2.710 (68.8)	2.027 (51.5)	2.820 (71.6)

TABLE V: CABLE ENTRY

Dash No.	Conduit Size (Ref.)	K Dimension		L Dimension		M Max	N Max Wrench Flat
		Min	Max	Min	Max		
01	3/8	.484 (12.3)	.504 (12.8)	.690 (17.5)	.710 (18.0)	1.155 (29.3)	1.000 (25.4)
02	1/2	.622 (15.8)	.642 (16.3)	.820 (20.8)	.840 (21.3)	1.282 (32.6)	1.125 (28.6)
03	3/4	.820 (20.8)	.840 (21.3)	1.030 (26.2)	1.050 (26.7)	1.531 (38.9)	1.375 (34.9)
04	1	1.041 (26.4)	1.066 (27.1)	1.290 (32.8)	1.315 (33.4)	1.781 (45.2)	1.625 (41.3)
05	1 1/4	1.380 (35.1)	1.410 (35.8)	1.630 (41.4)	1.660 (42.2)	2.218 (56.3)	2.062 (52.4)
06	1 1/2	1.575 (40.0)	1.600 (40.6)	1.875 (47.6)	1.900 (48.3)	2.468 (62.7)	2.312 (58.7)
07	2	2.020 (51.3)	2.045 (51.9)	2.350 (59.7)	2.375 (60.3)	3.031 (77.0)	2.875 (73.0)

X-ON Electronics

Largest Supplier of Electrical and Electronic Components

Click to view similar products for [Circular MIL Spec Backshells](#) category:

Click to view products by [Glenair](#) manufacturer:

Other Similar products are found below :

[60-036152-022](#) [610HS012M15](#) [M28840/504WA](#) [M28840/805WB](#) [M28840/809WA](#) [M28840/815WA](#) [M28840/816WA](#) [627AS017M14](#)
[627MA124M14S](#) [655HS002NF11](#) [CW3899-000](#) [M85049/10-134S](#) [M85049/10-17S](#) [M85049/10-33S](#) [M85049/10-94W](#) [M85049/11-28N](#)
[M85049/11-37N](#) [M85049/11-53N](#) [M85049/11-63N](#) [M85049/124-23W](#) [M85049/1720N04B](#) [M85049/1821W05C](#) [M85049/1825W06C](#)
[M85049/1919N05](#) [M85049/23-74W](#) [M85049/24-71N](#) [M85049/25-47N](#) [M85049/25-94W](#) [M85049/27S12N](#) [M85049/39-11S](#) [M85049/39-17S](#)
[M85049/39-9S](#) [M85049/6-10B](#) [M85049/6-19N](#) [M85049/6-20B](#) [M85049/77-20W04](#) [M85049/78-11N03](#) [M85049/78-15W02](#) [M85049/78-](#)
[17N04](#) [M85049/78-19N05](#) [M85049/79-19N07](#) [M85049/79-25N04](#) [M85049/82-18N02](#) [M85049/82-22P02](#) [M85049/83-10W03](#) [M85049/84-](#)
[20N03](#) [M85049/8-48N](#) [M85049/85-24N01](#) [M85049/85-24P01](#) [M85049/86-16P03](#)