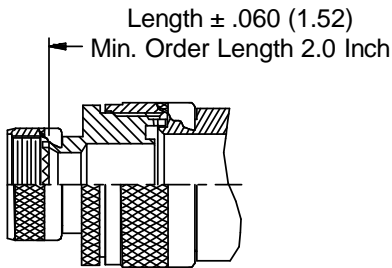
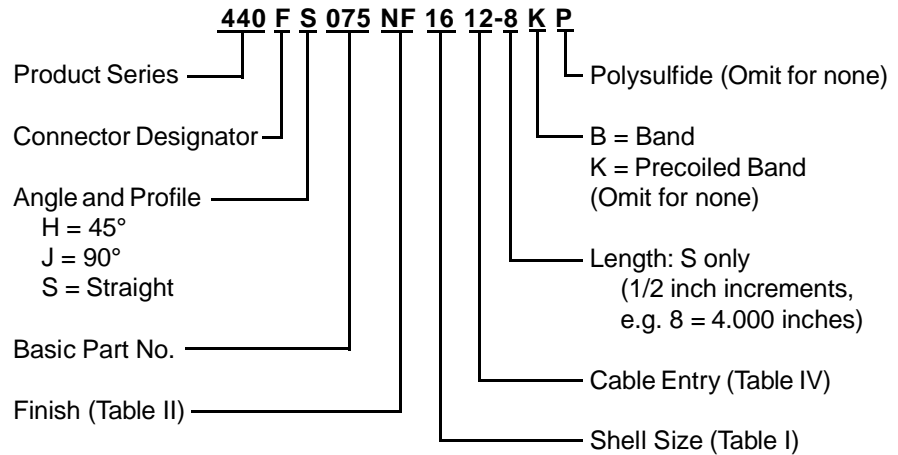
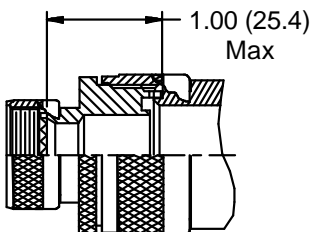
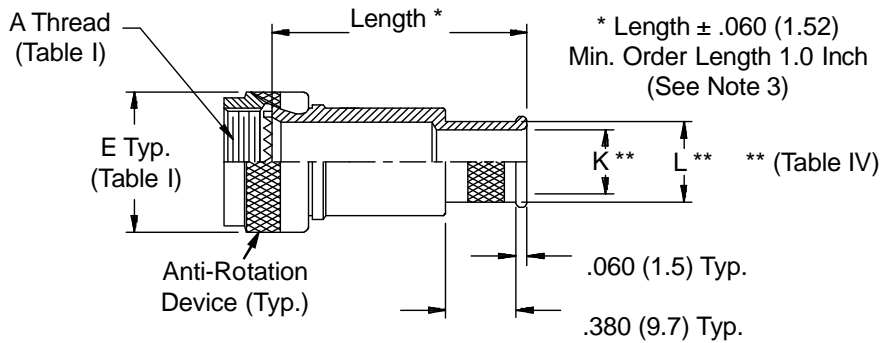


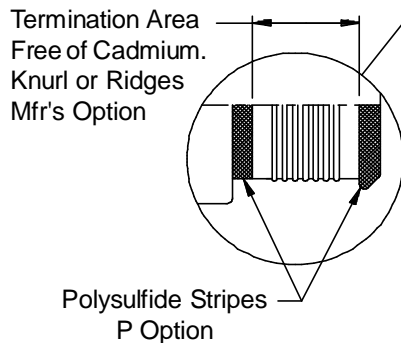
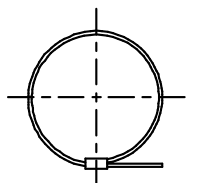
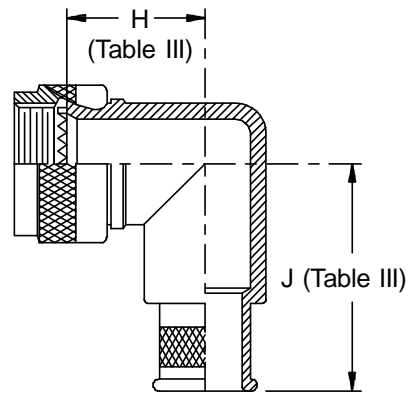
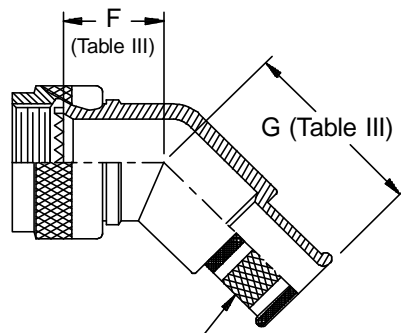
CONNECTOR DESIGNATORS
A-F-H-L-S
SELF-LOCKING
ROTATABLE
COUPLING



STYLE 2
(STRAIGHT
See Note 1)



STYLE 2
(45° & 90°
See Note 1)



See inside back cover fold-out or pages 13 and 14 for Tables I and II.

TABLE III: ELBOW DIMENSIONS						
Shell Size		F	G	H	J	
Conn. Desig.	H	Max	Max	Max	Max	
A-F-L-S						
08	09	.795 (20.2)	.890 (22.6)	.906 (23.0)	1.000 (25.4)	
10	11	.820 (20.8)	.920 (23.4)	.966 (24.5)	1.060 (26.9)	
12	13	.844 (21.4)	.940 (23.9)	1.026 (26.1)	1.120 (28.4)	
14	15	.861 (21.9)	.970 (24.6)	1.076 (27.3)	1.190 (30.2)	
16	17	.888 (22.6)	.990 (25.1)	1.136 (28.9)	1.250 (31.8)	
18	19	.904 (23.0)	1.000 (25.4)	1.176 (29.9)	1.270 (32.3)	
20	21	.929 (23.6)	1.020 (25.9)	1.236 (31.4)	1.330 (33.8)	
22	23	.956 (24.3)	1.060 (26.9)	1.296 (32.9)	1.410 (35.8)	
24	25	.979 (24.9)	1.090 (27.7)	1.356 (34.4)	1.480 (37.6)	

TABLE IV: CABLE ENTRY			
Dash No.	K Dia	L Dia	
02	.125 (3.2)	.250 (6.4)	
03	.188 (4.8)	.312 (7.9)	
04	.250 (6.4)	.375 (9.5)	
05	.312 (7.9)	.438 (11.1)	
06	.375 (9.5)	.500 (12.7)	
07	.438 (11.1)	.562 (14.3)	
08	.500 (12.7)	.625 (15.9)	
09	.562 (14.3)	.688 (17.5)	
10	.625 (15.9)	.750 (19.1)	
11	.688 (17.5)	.812 (20.6)	
12	.750 (19.1)	.875 (22.2)	
13	.812 (20.6)	.938 (23.8)	
14	.875 (22.2)	1.000 (25.4)	
15	.938 (23.8)	1.062 (27.0)	
16	1.000 (25.4)	1.125 (28.6)	
17	1.062 (27.0)	1.188 (30.2)	
18	1.125 (28.6)	1.250 (31.8)	
20	1.250 (31.8)	1.375 (34.9)	
22	1.375 (34.9)	1.500 (38.1)	
24	1.500 (38.1)	1.625 (41.3)	
26	1.625 (41.3)	1.750 (44.5)	
28	1.750 (44.5)	1.875 (47.6)	
30	1.875 (47.6)	2.000 (50.8)	
32	2.000 (50.8)	2.125 (54.0)	

1. When maximum cable entry (page 21) is exceeded, Style 2 will be supplied. Dimensions F, G, H and J will not apply. Please consult factory.
2. Metric dimensions (mm) are indicated in parentheses.
3. Consult factory for shorter lengths on straight backshells.
4. Backshells supplied with 600-052-* band, see Glenair Series 600 Tool Catalog for installation.

X-ON Electronics

Largest Supplier of Electrical and Electronic Components

Click to view similar products for [Circular MIL Spec Backshells](#) category:

Click to view products by [Glenair](#) manufacturer:

Other Similar products are found below :

[60-036152-022](#) [610HS012M15](#) [M28840/504WA](#) [M28840/805WB](#) [M28840/809WA](#) [M28840/815WA](#) [M28840/816WA](#) [627AS017M14](#)
[627MA124M14S](#) [655HS002NF11](#) [CW3899-000](#) [M85049/10-134S](#) [M85049/10-17S](#) [M85049/10-33S](#) [M85049/10-94W](#) [M85049/11-28N](#)
[M85049/11-37N](#) [M85049/11-53N](#) [M85049/11-63N](#) [M85049/124-23W](#) [M85049/1720N04B](#) [M85049/1821W05C](#) [M85049/1825W06C](#)
[M85049/1919N05](#) [M85049/23-74W](#) [M85049/24-71N](#) [M85049/25-47N](#) [M85049/25-94W](#) [M85049/27S12N](#) [M85049/39-11S](#) [M85049/39-17S](#)
[M85049/39-9S](#) [M85049/6-10B](#) [M85049/6-19N](#) [M85049/6-20B](#) [M85049/77-20W04](#) [M85049/78-11N03](#) [M85049/78-15W02](#) [M85049/78-](#)
[17N04](#) [M85049/78-19N05](#) [M85049/79-19N07](#) [M85049/79-25N04](#) [M85049/82-18N02](#) [M85049/82-22P02](#) [M85049/83-10W03](#) [M85049/84-](#)
[20N03](#) [M85049/8-48N](#) [M85049/85-24N01](#) [M85049/85-24P01](#) [M85049/86-16P03](#)