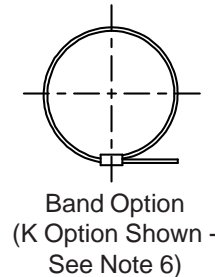
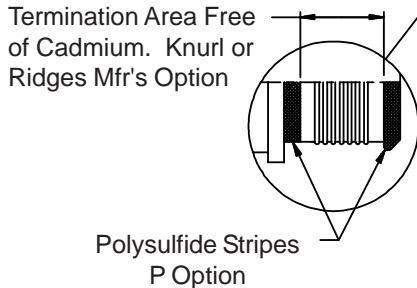
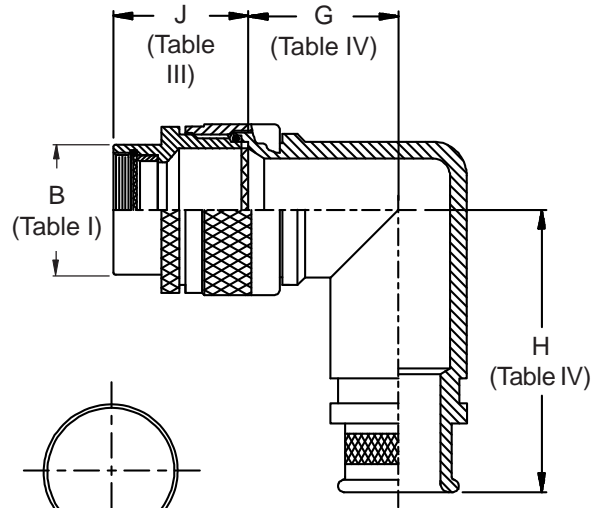
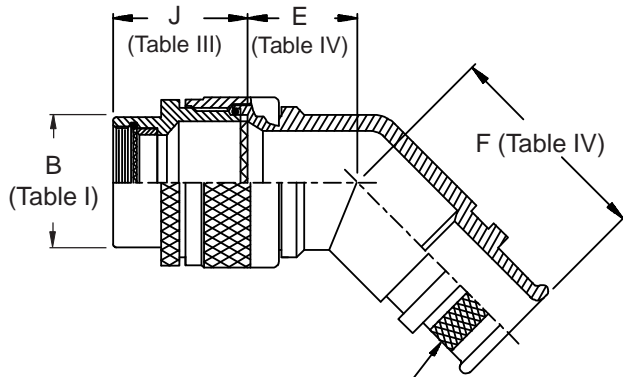
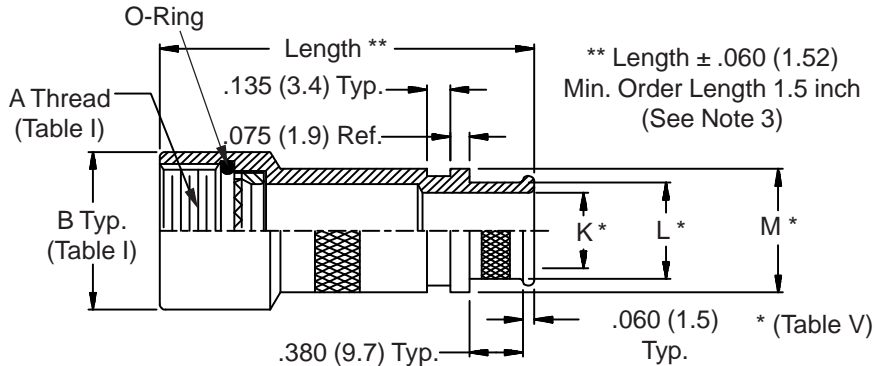
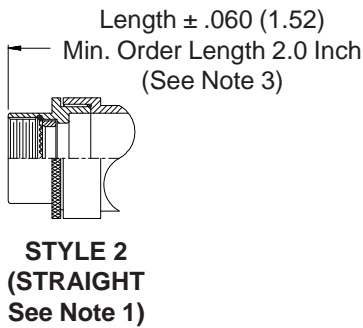
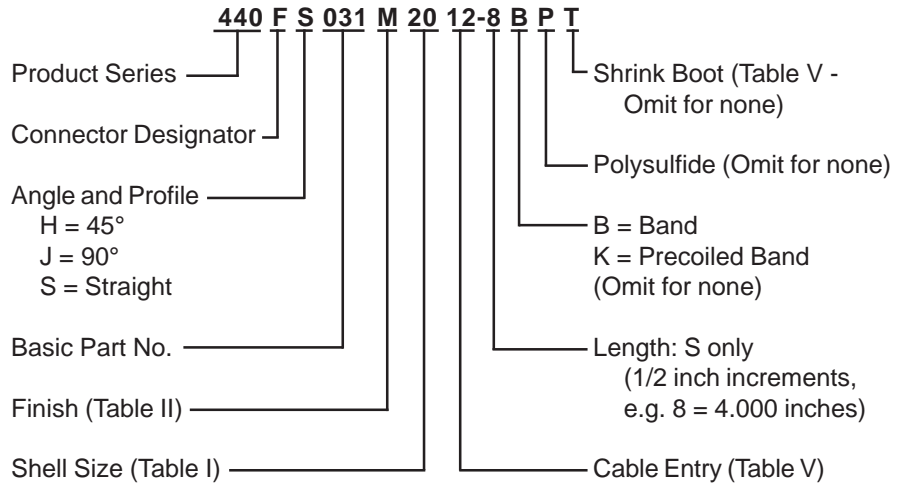


CONNECTOR DESIGNATORS
A-B*-C-D-E-F
G-H-J-K-L-S
 * Conn. Desig. B See Note 5
DIRECT COUPLING



440-031
EMI/RFI Banding and Shrink Boot Adapter
Direct Coupling - Standard Profile



See inside back cover fold-out or pages 13 and 14 for Tables I and II.

TABLE III: FRONT ADAPTER			
Shell Size	J Max - Conn. Designator		
	A-E-F J-H-L-S	D-B-G-K	C
08/09	1.180 (30.0)	1.250 (31.8)	
10/11	1.180 (30.0)	1.250 (31.8)	
12/13	1.180 (30.0)	1.250 (31.8)	1.735 (44.1)
14/15	1.180 (30.0)	1.250 (31.8)	1.915 (48.6)
16/17	1.380 (35.0)	1.560 (39.6)	1.915 (48.6)
18/19	1.380 (35.0)	1.560 (39.6)	1.915 (48.6)
20/21	1.380 (35.0)	1.560 (39.6)	1.915 (48.6)
22/23	1.380 (35.0)	1.560 (39.6)	1.915 (48.6)
24/25	1.380 (35.0)	1.560 (39.6)	1.915 (48.6)
28/29	1.610 (40.9)	1.560 (39.6)	1.915 (48.6)
32/33	1.610 (40.9)	1.750 (44.5)	1.915 (48.6)
36	1.610 (40.9)	1.750 (44.5)	1.915 (48.6)
40	1.610 (40.9)	2.190 (55.6)	1.915 (48.6)

TABLE IV: ELBOW DIMENSIONS									
Dash No.(s)	E Max	F Max	G Max	H Max					
01	.625 (15.9)	.940 (23.9)	.732 (18.6)	1.078 (27.4)					
02 & 31	.625 (15.9)	.940 (23.9)	.732 (18.6)	1.078 (27.4)					
03 & 32	.688 (17.5)	1.000 (25.4)	.757 (19.2)	1.108 (28.1)					
04 & 33	.711 (18.1)	1.050 (26.7)	.781 (19.8)	1.128 (28.7)					
05 & 34	.781 (19.8)	1.150 (29.2)	.825 (21.0)	1.178 (29.9)					
06 & 35	.841 (21.4)	1.188 (30.2)	.896 (22.8)	1.190 (30.2)					
07 & 36	.866 (22.0)	1.208 (30.7)	1.093 (27.8)	1.250 (31.8)					
08 & 37	.893 (22.7)	1.248 (31.7)	1.250 (31.8)	1.320 (33.5)					
09 & 38	.916 (23.3)	1.278 (32.5)	1.312 (33.3)	1.380 (35.1)					
10	1.134 (28.8)	1.448 (36.8)	1.375 (34.9)	1.500 (38.1)					
11	1.134 (28.8)	1.448 (36.8)	1.375 (34.9)	1.500 (38.1)					
12	1.185 (30.1)	1.488 (37.8)	1.687 (42.8)	1.620 (41.1)					
13	1.185 (30.1)	1.488 (37.8)	1.687 (42.8)	1.620 (41.1)					
14	1.225 (31.1)	1.538 (39.1)	1.812 (46.0)	1.750 (44.5)					
15	1.225 (31.1)	1.538 (39.1)	1.812 (46.0)	1.750 (44.5)					

TABLE V: CABLE ENTRY						
Dash No.	K	L	M	Shrink Boot		
01	.125 (3.2)	.250 (6.4)	.312 (7.9)	770-003S111		
31	.188 (4.8)	.312 (7.9)	.374 (9.5)	770-003S111		
02	.250 (6.4)	.375 (9.5)	.437 (11.1)	770-003S112		
32	.312 (7.9)	.438 (11.1)	.500 (12.7)	770-003S112		
03	.375 (9.5)	.500 (12.7)	.562 (14.3)	770-001S103		
33	.438 (11.1)	.562 (14.3)	.624 (15.8)	770-001S104		
04	.500 (12.7)	.625 (15.9)	.687 (17.4)	770-001S104		
34	.562 (14.3)	.688 (17.5)	.750 (19.1)	770-001S104		
05	.625 (15.9)	.750 (19.1)	.812 (20.6)	770-001S104		
35	.688 (17.5)	.812 (20.6)	.874 (22.2)	770-001S104		
06	.750 (19.1)	.875 (22.2)	.937 (23.8)	770-001S105		
36	.812 (20.6)	.938 (23.8)	1.000 (25.4)	770-001S105		
07	.875 (22.2)	1.000 (25.4)	1.062 (27.0)	770-001S105		
37	.938 (23.8)	1.062 (27.0)	1.124 (28.5)	770-001S105		
08	1.000 (25.4)	1.125 (28.6)	1.187 (30.1)	770-001S106		
38	1.062 (27.0)	1.188 (30.2)	1.250 (31.8)	770-001S106		
09	1.125 (28.6)	1.250 (31.8)	1.312 (33.3)	770-001S107		
10	1.250 (31.8)	1.375 (34.9)	1.437 (36.5)	770-001S107		
11	1.375 (34.9)	1.500 (38.1)	1.562 (39.7)	770-001S107		
12	1.500 (38.1)	1.625 (41.3)	1.687 (42.8)	770-001S107		
13	1.625 (41.3)	1.750 (44.5)	1.812 (46.0)	770-001S108		
14	1.750 (44.5)	1.875 (47.6)	1.937 (49.2)	770-001S108		
15	1.875 (47.6)	2.000 (50.8)	2.062 (52.4)	770-001S109		
16	2.000 (50.8)	2.125 (54.0)	2.187 (55.5)	770-001S109		

1. When maximum cable entry (page 22) is exceeded, Style 2 will be supplied. (Function S only).
2. Metric dimensions (mm) are indicated in parentheses.
3. Consult factory for shorter lengths on straight backshells.
4. See page 40 for Shrink Boot Reference Information.
5. When using Connector Designator B refer to pages 18 and 19 for part number development.
6. Backshells supplied with 600-052-* band, see Glenair Series 600 Tool Catalog for installation.

X-ON Electronics

Largest Supplier of Electrical and Electronic Components

Click to view similar products for [Heat Shrink Cable Boots & End Caps](#) category:

Click to view products by [Glenair](#) manufacturer:

Other Similar products are found below :

[577159N001](#) [007758-000](#) [610368N003](#) [645494-000](#) [M85049/141-02HU](#) [M85049/141-03HU](#) [M85049/141-04HU](#) [687025-000](#) [705331-000](#)
[718446-000](#) [725666N001](#) [729257-000](#) [F21914-000](#) [F27131-000](#) [F85868-000](#) [770-006A103R](#) [770-006A304W1](#) [770-006A305W1](#) [770-](#)
[006A308W1](#) [770-011T303W1](#) [770-011T304W1](#) [770-020S702W1](#) [770-020S704W1](#) [806138-000](#) [806542N001](#) [807507-000](#) [808059-000](#)
[808296-000](#) [808362-000](#) [808828-000](#) [809125-000](#) [809130-000](#) [809218-000](#) [811218-000](#) [811288-000](#) [812014-000](#) [812047-000](#) [813166-000](#)
[813767N002](#) [814417-000](#) [819115N001](#) [819117N001](#) [823026-000](#) [823070-000](#) [825002-000](#) [841189N001](#) [861471-000](#) [866647-000](#) [937577-](#)
[000](#) [950764-000](#)