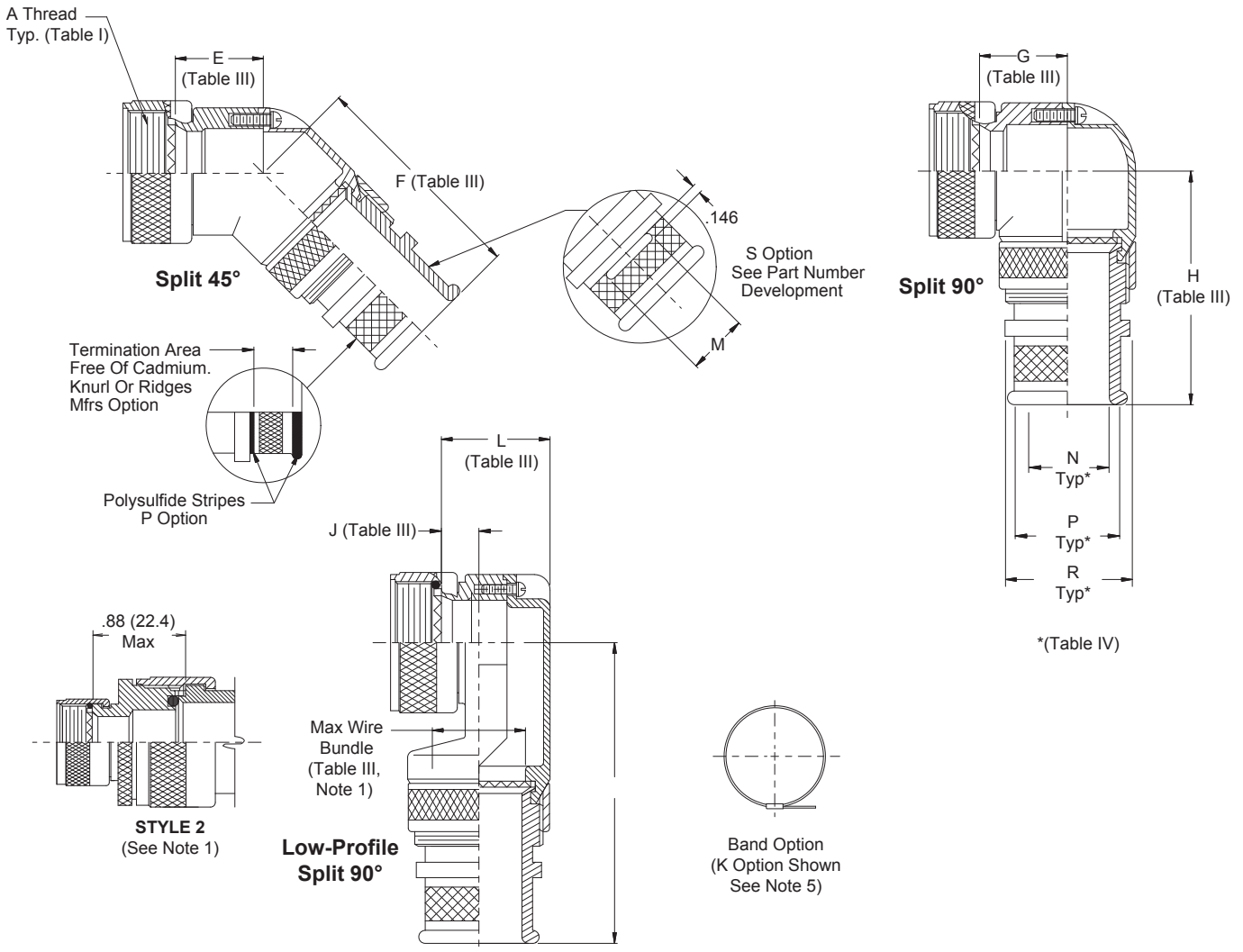
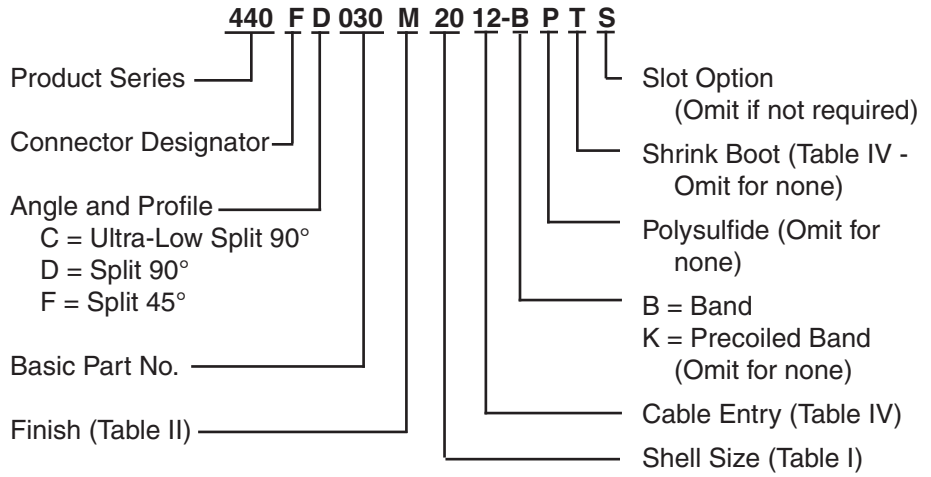


**CONNECTOR
DESIGNATORS
A-F-H-L-S
ROTATABLE
COUPLING**



See inside back cover fold-out or pages 13 and 14 for Tables I and II.

TABLE III: ELBOW DIMENSIONS

| Shell Size | E Max | F Max | G Max | H Max | J Ref | K Max | L Max | Function C Max Wire Bundle |
|------------|-------------|--------------|--------------|--------------|-------------|--------------|--------------|----------------------------|
| 08/09 | .440 (11.2) | 1.635 (41.5) | .680 (17.3) | 1.575 (40.0) | .340 (8.6) | 1.915 (48.6) | .681 (17.3) | .250 (6.4) |
| 10/11 | .500 (12.7) | 1.695 (43.1) | .750 (19.1) | 1.635 (41.5) | .270 (6.9) | 2.075 (52.7) | .731 (18.6) | .375 (9.5) |
| 12/13 | .560 (14.2) | 1.765 (44.8) | .810 (20.6) | 1.705 (43.3) | .270 (6.9) | 2.075 (52.7) | .731 (18.6) | .375 (9.5) |
| 14/15 | .620 (15.7) | 1.795 (45.6) | .870 (22.1) | 1.735 (44.1) | .280 (7.1) | 2.145 (54.5) | .831 (21.1) | .500 (12.7) |
| 16/17 | .680 (17.3) | 1.895 (48.1) | .930 (23.6) | 1.835 (46.6) | .420 (10.7) | 2.195 (55.8) | .981 (24.9) | .625 (15.9) |
| 18/19 | .750 (19.1) | 1.955 (49.7) | 1.000 (25.4) | 1.895 (48.1) | .640 (16.3) | 2.225 (56.5) | 1.181 (30.0) | .625 (15.9) |
| 20/21 | .820 (20.8) | 2.015 (51.2) | 1.060 (26.9) | 1.955 (49.7) | .640 (16.3) | 2.225 (56.5) | 1.181 (30.0) | .625 (15.9) |
| 22/23 | .880 (22.4) | 2.075 (52.7) | 1.120 (28.4) | 2.015 (51.2) | .540 (13.7) | 2.375 (60.3) | 1.181 (30.0) | .750 (19.1) |
| 24/25 | .940 (23.9) | 2.135 (54.2) | 1.180 (30.0) | 2.075 (52.7) | .540 (13.7) | 2.375 (60.3) | 1.181 (30.0) | .750 (19.1) |

TABLE IV: CABLE ENTRY

| Dash No. | M | N | P | R | Shrink Boot |
|----------|--------------|--------------|--------------|--------------|-------------|
| 01 | .125 (3.2) | .125 (3.2) | .250 (6.4) | .312 (7.9) | 770-003S111 |
| 31 | .170 (4.3) | .188 (4.8) | .312 (7.9) | .374 (9.5) | 770-003S111 |
| 02 | .170 (4.3) | .250 (6.4) | .375 (9.5) | .437 (11.1) | 770-003S112 |
| 32 | .170 (4.3) | .312 (7.9) | .438 (11.1) | .500 (12.7) | 770-003S112 |
| 03 | .250 (6.4) | .375 (9.5) | .500 (12.7) | .562 (14.3) | 770-003S112 |
| 33 | .250 (6.4) | .438 (11.1) | .562 (14.3) | .624 (15.8) | 770-001S104 |
| 04 | .250 (6.4) | .500 (12.7) | .625 (15.9) | .687 (17.4) | 770-001S104 |
| 34 | .250 (6.4) | .562 (14.3) | .688 (17.5) | .750 (19.1) | 770-001S104 |
| 05 | .500 (12.7) | .625 (15.9) | .750 (19.1) | .812 (20.6) | 770-001S104 |
| 35 | .500 (12.7) | .688 (17.5) | .812 (20.6) | .874 (22.2) | 770-001S104 |
| 06 | .500 (12.7) | .750 (19.1) | .875 (22.2) | .937 (23.8) | 770-001S105 |
| 36 | .500 (12.7) | .812 (20.6) | .938 (23.8) | 1.000 (25.4) | 770-001S105 |
| 07 | .500 (12.7) | .875 (22.2) | 1.000 (25.4) | 1.062 (27.0) | 770-001S105 |
| 37 | .500 (12.7) | .938 (23.8) | 1.062 (27.0) | 1.124 (28.5) | 770-001S105 |
| 08 | .500 (12.7) | 1.000 (25.4) | 1.125 (28.6) | 1.187 (30.1) | 770-001S106 |
| 38 | .500 (12.7) | 1.062 (27.0) | 1.188 (30.2) | 1.250 (31.8) | 770-001S106 |
| 09 | .500 (12.7) | 1.125 (28.6) | 1.250 (31.8) | 1.312 (33.3) | 770-001S107 |
| 10 | .750 (19.1) | 1.250 (31.8) | 1.375 (34.9) | 1.437 (36.5) | 770-001S107 |
| 11 | .750 (19.1) | 1.375 (34.9) | 1.500 (38.1) | 1.562 (39.7) | 770-001S107 |
| 12 | 1.000 (25.4) | 1.500 (38.1) | 1.625 (41.3) | 1.687 (42.8) | 770-001S107 |
| 13 | 1.000 (25.4) | 1.625 (41.3) | 1.750 (44.5) | 1.812 (46.0) | 770-001S108 |
| 14 | 1.000 (25.4) | 1.750 (44.5) | 1.875 (47.6) | 1.937 (49.2) | 770-001S108 |
| 15 | 1.000 (25.4) | 1.875 (47.6) | 2.000 (50.8) | 2.062 (52.4) | 770-001S109 |
| 16 | 1.000 (25.4) | 2.000 (50.8) | 2.125 (54.0) | 2.187 (55.5) | 770-001S109 |

1. When maximum cable entry (page 21) is exceeded, Style 2 will be supplied (not available in Function C). Dimensions E, F, G, and H will not apply. Please consult factory.
2. Metric dimensions (mm) are indicated in parentheses.
3. Consult factory for shorter lengths on straight backshells.
4. See page 40 for Shrink Boot Reference Information.
5. Backshells supplied with 600-052-* band, see Glenair Series 600 Tool Catalog for installation.
6. Angular function "C", low-profile split elbow, not available with "S" connector designator.

X-ON Electronics

Largest Supplier of Electrical and Electronic Components

Click to view similar products for [Circular MIL Spec Backshells](#) category:

Click to view products by [Glenair](#) manufacturer:

Other Similar products are found below :

[60-036152-022](#) [610HS012M15](#) [M28840/504WA](#) [M28840/805WB](#) [M28840/809WA](#) [M28840/815WA](#) [M28840/816WA](#) [627AS017M14](#)
[627MA124M14S](#) [655HS002NF11](#) [CW3899-000](#) [M85049/10-134S](#) [M85049/10-17S](#) [M85049/10-33S](#) [M85049/10-94W](#) [M85049/11-28N](#)
[M85049/11-37N](#) [M85049/11-53N](#) [M85049/11-63N](#) [M85049/124-23W](#) [M85049/1720N04B](#) [M85049/1821W05C](#) [M85049/1825W06C](#)
[M85049/1919N05](#) [M85049/23-74W](#) [M85049/24-71N](#) [M85049/25-47N](#) [M85049/25-94W](#) [M85049/27S12N](#) [M85049/39-11S](#) [M85049/39-17S](#)
[M85049/39-9S](#) [M85049/6-10B](#) [M85049/6-19N](#) [M85049/6-20B](#) [M85049/77-20W04](#) [M85049/78-11N03](#) [M85049/78-15W02](#) [M85049/78-](#)
[17N04](#) [M85049/78-19N05](#) [M85049/79-19N07](#) [M85049/79-25N04](#) [M85049/82-18N02](#) [M85049/82-22P02](#) [M85049/83-10W03](#) [M85049/84-](#)
[20N03](#) [M85049/8-48N](#) [M85049/85-24N01](#) [M85049/85-24P01](#) [M85049/86-16P03](#)