



# RJ45 AND USB 2.0 Contacts, Tools, and Accessories



## 440-135 EMI/RFI, Rotatable Coupling, Shrink Boot Band Adapter for Series 801, 804 and 805 Mighty Mouse



**Band-Master ATS® Band  
Microband 601-061**  
See Page M-7



**Add a boot or overmold  
for environmental protection**  
(Shown without boot)

These thread-on adapters are used with **Band-Master ATS® Micro Band** shield termination straps. Choose the smallest cable entry for your wire bundle. **Straight Entry** adapters are available in various lengths. **Straight, 45°** and **90°** adapters feature rotatable coupling nuts.



**Band-Master ATS®  
Micro Band Tool**  
601-101  
See Page M-7

Series 80 Mighty Mouse

### How To Order

<b>Sample Part Number</b>	<b>440MS135</b>	<b>M</b>	<b>08</b>	<b>07</b>	<b>-7</b>	<b>K</b>
<b>Series (See Table I)</b>	<b>440MS135</b> = Straight Entry <b>440MK135</b> = 45° Entry <b>440ML135</b> = 90° Entry					
<b>Shell Material and Finish</b>	<b>UCR</b> = Aluminum/Zinc Cobalt Black <b>M</b> = Aluminum/Electroless Nickel <b>NF</b> = Aluminum/Cadmium with Olive Drab <b>ZNU</b> = Aluminum/Zinc-Nickel with Black Chromate <b>MT</b> = Aluminum/Nickel-PTFE <b>Z1</b> = Stainless Steel/Passivated					
<b>Shell Size Code</b>	<b>08, 14, 16</b> (See Dimensions Table)					
<b>Dash No.</b>	<b>04, 05, 06, 07</b> (See Dash No. Table)					
<b>Length</b>	Applies to symbol "S", straight only Length in .125 (3.18mm) inch increments (i.e. 7 = .875 inches)					
<b>Band Option</b>	<b>K</b> = Pre-coiled Band Supplied (601-061) <b>B</b> = Band Supplied (601-060) <b>Omit</b> for no band supplied					

**Table I: Cover Style**

<b>440MS135</b> Straight Entry	<b>440MK135</b> 45° Entry	<b>440ML135</b> 90° Entry

### NOTES

- Standard Minimum Length is .75. applies to symbol "S" straight only.
- Material and Finish
  - Band: 300 series SST
  - O-ring: silicone elastomer

M



RJ45 AND USB 2.0

# Contacts, Tools, and Accessories



## 440-135 EMI/RFI, Rotatable Coupling, Shrink Boot Band Adapter for Series 801, 804 and 805 Mighty Mouse

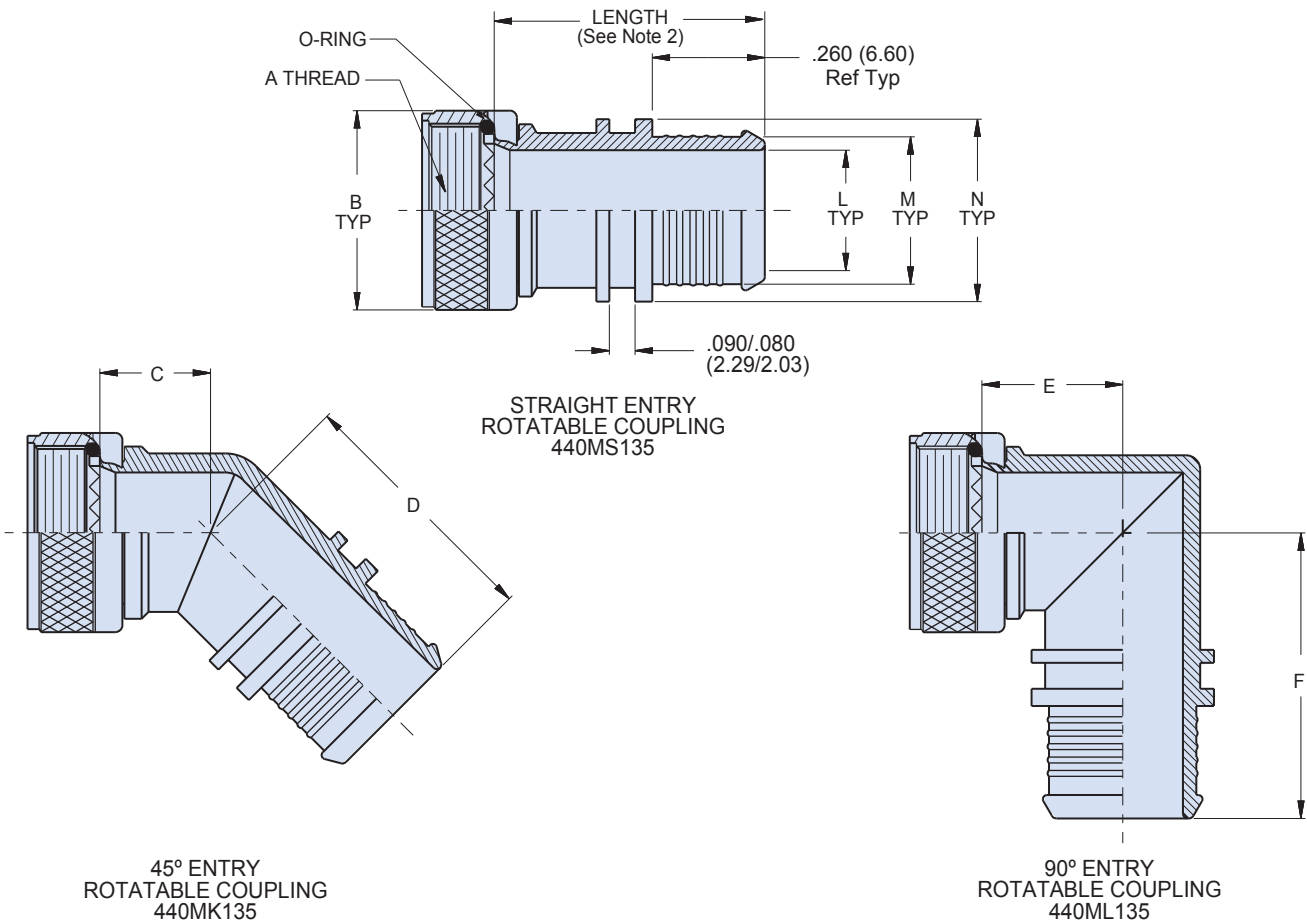
Shell Size Code	Shell Size Reference		A Thread Class -2B	Dimensions												Max Dash No. See Table I
	801 & 804	805		B Max		C Max.		D Max.		E Max.		F Max.				
	In	mm		In	mm	In	mm	In	mm	In	mm	In	mm			
08	8	10	1/2-28 UNEF	.70	17.78	.58	14.73	.70	17.78	.74	18.80	.86	21.84	07		
14	14,15,16,17	18,19	15/16-20 UNEF	1.137	28.88	.69	17.53	.80	20.32	.95	24.13	1.09	27.69			
16	19	21	11/16-18 UNEF	1.230	31.24	.71	18.03	.82	20.83	.98	24.89	1.13	28.70			

Dash No.	L Dia		M Dia		N Dia		Straight Shrink Boot*
	in	mm	in	mm	in	mm	
04	.250	6.35	.289	7.34	.391	9.93	809S060-1L
05	.312	7.92	.351	8.92	.453	11.51	809S060-2L
06	.375	9.53	.414	10.52	.516	13.11	809S060-3L
07	.438	11.13	.477	12.12	.579	14.71	809S060-3L

\* Shrink Boot **MUST** be ordered separately.

Shrink boot material:

compound 2013 low temperature polyolefin with W2 hot melt adhesive.



Series 80 Mighty Mouse

M

## X-ON Electronics

Largest Supplier of Electrical and Electronic Components

*Click to view similar products for [Circular MIL Spec Backshells](#) category:*

*Click to view products by [Glenair](#) manufacturer:*

Other Similar products are found below :

[60-036152-022](#) [610HS012M15](#) [M28840/504WA](#) [M28840/805WB](#) [M28840/809WA](#) [M28840/815WA](#) [M28840/816WA](#) [627AS017M14](#)  
[627MA124M14S](#) [655HS002NF11](#) [CW3899-000](#) [M85049/10-134S](#) [M85049/10-17S](#) [M85049/10-33S](#) [M85049/10-94W](#) [M85049/11-28N](#)  
[M85049/11-37N](#) [M85049/11-53N](#) [M85049/11-63N](#) [M85049/124-23W](#) [M85049/1720N04B](#) [M85049/1821W05C](#) [M85049/1825W06C](#)  
[M85049/1919N05](#) [M85049/23-74W](#) [M85049/24-71N](#) [M85049/25-47N](#) [M85049/25-94W](#) [M85049/27S12N](#) [M85049/39-11S](#) [M85049/39-17S](#)  
[M85049/39-9S](#) [M85049/6-10B](#) [M85049/6-19N](#) [M85049/6-20B](#) [M85049/77-20W04](#) [M85049/78-11N03](#) [M85049/78-15W02](#) [M85049/78-](#)  
[17N04](#) [M85049/78-19N05](#) [M85049/79-19N07](#) [M85049/79-25N04](#) [M85049/82-18N02](#) [M85049/82-22P02](#) [M85049/83-10W03](#) [M85049/84-](#)  
[20N03](#) [M85049/8-48N](#) [M85049/85-24N01](#) [M85049/85-24P01](#) [M85049/86-16P03](#)