



# RJ45 AND USB 2.0 Contacts, Tools, and Accessories



## 440MS134 straight environmental, direct coupling adapter for Series 801, 804 and 805 Mighty Mouse

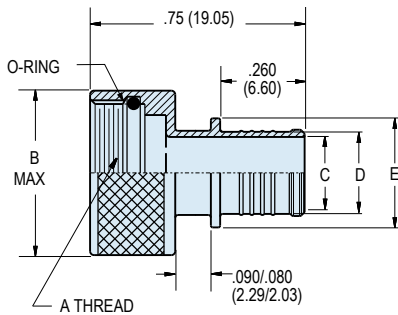


**Band-Master ATS® Band  
Microband 601-061  
See Page M-7**



**Add a boot or overmold  
for environmental protection  
(Shown without boot)**

These adapters are used with Band-Master ATS® micro band shield termination straps. Choose the smallest cable entry for your wire bundle.



STRAIGHT ENTRY  
DIRECT COUPLING  
440MS134

### NOTES

- For use with Micro USB Mighty Mouse Series 801 and 805
- Material and Finish
  - Band: 300 Series SST
  - O-Ring: Silicone Elastomer

How To Order					
<b>Sample Part Number</b>	<b>440MS134</b>	<b>NF</b>	<b>08</b>	<b>04</b>	<b>B</b>
<b>Series (See Table I)</b>	<b>440MS134</b> = Straight Entry				
<b>Shell Material and Finish</b>	<b>M</b> = Aluminum/Electroless Nickel <b>NF</b> = Aluminum/Cadmium with Olive Drab <b>ZN</b> = Aluminum/Zinc-Nickel with Olive Drab Chromate <b>ZNU</b> = Aluminum/Zinc-Nickel with Black Chromate <b>MT</b> = Aluminum/Nickel-PTFE <b>Z1</b> = Stainless Steel/Passivated				
<b>Adapter Size Code</b>	<b>08, 10, 14, 16</b> See Adapter Size Code and Dimensions Table				
<b>Cable Entry Size (See Table i)</b>	<b>04, 05, 06, 07, 08</b> See Table 1 for Dimensions				
<b>Band Option</b>	<b>B</b> = 601-060 flat band supplied <b>K</b> = 601-061 pre-coiled band supplied <b>Omit</b> = no band supplied				

Adapter Size Code and Dimensions						
Adapter Size Code	Shell Size Reference		A Thread Class -2B	B Max.		Dash No.
	801/804	805		In.	mm.	
<b>08</b> <sup>1</sup>	8	10	1/2-28 UNEF	.595	15.11	<b>04 thru 08</b> See Table 1 for Dimensions
<b>10</b>	10	n/a	5/8-24 UNEF	.715	18.16	
<b>14</b>	14/15/16/17	18	15/16-20 UNEF	1.020	25.91	
<b>16</b>	19	21	1 1/16-18 UNEF	1.155	29.34	

Table I: Cable Entry, Band Platform Dimensions and Recommended Shrink Boot							
Dash No.	Ø C		Ø D		Ø E		Straight Shrink Boot*
	In.	mm.	In.	mm.	In.	mm.	
	± .015	± 0.38	± .015	± 0.38	± .015	± 0.38	
<b>04</b>	.234	5.94	.273	6.93	.375	9.53	<b>770-003S901W2</b>
<b>05</b>	.272	6.91	.311	7.90	.413	10.49	<b>770-003S902W2</b>
<b>06</b>	.312	7.92	.351	8.92	.453	11.51	<b>770-003S902W2</b>
<b>07</b>	.375	9.53	.414	10.52	.516	13.11	<b>770-003S903W2</b>
<b>08</b>	.438	11.13	.477	12.12	.579	14.17	<b>770-003S903W2</b>

\* **Shrink Boot MUST be ordered separately.**

Shrink boot material: compound 2013 low temperature polyolefin with W2 hot melt adhesive.

Series 80 Mighty Mouse

M

## X-ON Electronics

Largest Supplier of Electrical and Electronic Components

*Click to view similar products for [Circular MIL Spec Backshells](#) category:*

*Click to view products by [Glenair](#) manufacturer:*

Other Similar products are found below :

[60-036152-022](#) [610HS012M15](#) [M28840/504WA](#) [M28840/805WB](#) [M28840/809WA](#) [M28840/815WA](#) [M28840/816WA](#) [627AS017M14](#)  
[627MA124M14S](#) [655HS002NF11](#) [CW3899-000](#) [M85049/10-134S](#) [M85049/10-17S](#) [M85049/10-33S](#) [M85049/10-94W](#) [M85049/11-28N](#)  
[M85049/11-37N](#) [M85049/11-53N](#) [M85049/11-63N](#) [M85049/124-23W](#) [M85049/1720N04B](#) [M85049/1821W05C](#) [M85049/1825W06C](#)  
[M85049/1919N05](#) [M85049/23-74W](#) [M85049/24-71N](#) [M85049/25-47N](#) [M85049/25-94W](#) [M85049/27S12N](#) [M85049/39-11S](#) [M85049/39-17S](#)  
[M85049/39-9S](#) [M85049/6-10B](#) [M85049/6-19N](#) [M85049/6-20B](#) [M85049/77-20W04](#) [M85049/78-11N03](#) [M85049/78-15W02](#) [M85049/78-](#)  
[17N04](#) [M85049/78-19N05](#) [M85049/79-19N07](#) [M85049/79-25N04](#) [M85049/82-18N02](#) [M85049/82-22P02](#) [M85049/83-10W03](#) [M85049/84-](#)  
[20N03](#) [M85049/8-48N](#) [M85049/85-24N01](#) [M85049/85-24P01](#) [M85049/86-16P03](#)