



# RJ45 AND USB 2.0 Contacts, Tools, and Accessories



## 440-135 EMI/RFI, Rotatable Coupling, Shrink Boot Band Adapter for Series 801, 804 and 805 Mighty Mouse



**Band-Master ATS® Band  
Microband 601-061**  
See Page M-7



**Add a boot or overmold  
for environmental protection**  
(Shown without boot)

These thread-on adapters are used with **Band-Master ATS® Micro Band** shield termination straps. Choose the smallest cable entry for your wire bundle. **Straight Entry** adapters are available in various lengths. **Straight, 45°** and **90°** adapters feature rotatable coupling nuts.



**Band-Master ATS®  
Micro Band Tool  
601-101**  
See Page M-7

Series 80 Mighty Mouse

### How To Order

<b>Sample Part Number</b>	<b>440MS135</b>	<b>M</b>	<b>08</b>	<b>07</b>	<b>-7</b>	<b>K</b>
<b>Series (See Table I)</b>	<b>440MS135</b> = Straight Entry <b>440MK135</b> = 45° Entry <b>440ML135</b> = 90° Entry					
<b>Shell Material and Finish</b>	<b>UCR</b> = Aluminum/Zinc Cobalt Black <b>M</b> = Aluminum/Electroless Nickel <b>NF</b> = Aluminum/Cadmium with Olive Drab <b>ZNU</b> = Aluminum/Zinc-Nickel with Black Chromate <b>MT</b> = Aluminum/Nickel-PTFE <b>Z1</b> = Stainless Steel/Passivated					
<b>Shell Size Code</b>	<b>08, 14, 16</b> (See Dimensions Table)					
<b>Dash No.</b>	<b>04, 05, 06, 07</b> (See Dash No. Table)					
<b>Length</b>	Applies to symbol "S", straight only Length in .125 (3.18mm) inch increments (i.e. 7 = .875 inches)					
<b>Band Option</b>	<b>K</b> = Pre-coiled Band Supplied (601-061) <b>B</b> = Band Supplied (601-060) <b>Omit</b> for no band supplied					

**Table I: Cover Style**

<b>440MS135</b> Straight Entry	<b>440MK135</b> 45° Entry	<b>440ML135</b> 90° Entry

### NOTES

- Standard Minimum Length is .75. applies to symbol "S" straight only.
- Material and Finish
  - Band: 300 series SST
  - O-ring: silicone elastomer

M



RJ45 AND USB 2.0

# Contacts, Tools, and Accessories



## 440-135 EMI/RFI, Rotatable Coupling, Shrink Boot Band Adapter for Series 801, 804 and 805 Mighty Mouse

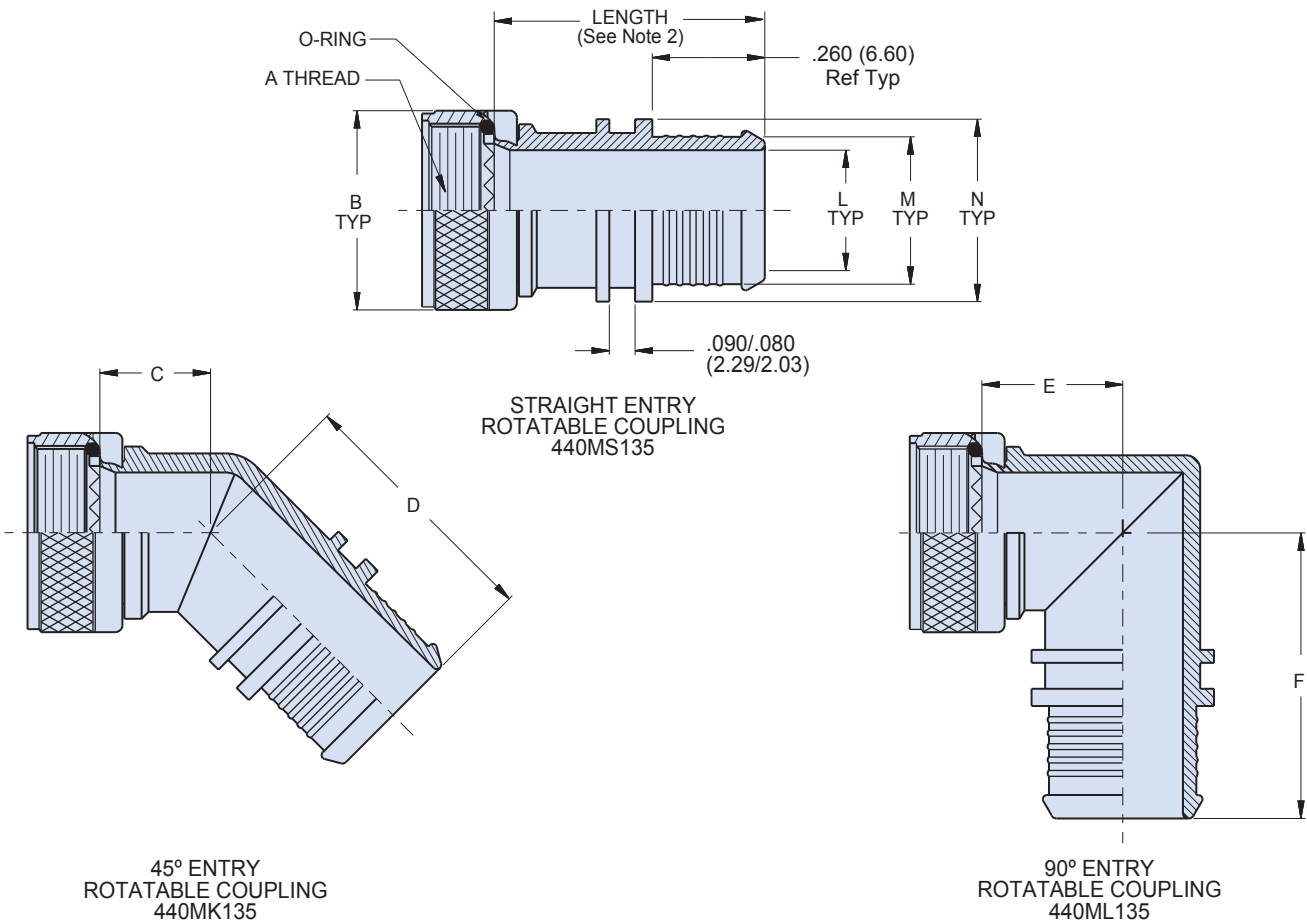
Shell Size Code	Shell Size Reference		A Thread Class -2B	Dimensions										Max Dash No. See Table I
	801 & 804	805		B Max		C Max.		D Max.		E Max.		F Max.		
	In	mm		In	mm	In	mm	In	mm	In	mm	In	mm	
08	8	10	1/2-28 UNEF	.70	17.78	.58	14.73	.70	17.78	.74	18.80	.86	21.84	07
14	14,15,16,17	18,19	15/16-20 UNEF	1.137	28.88	.69	17.53	.80	20.32	.95	24.13	1.09	27.69	
16	19	21	11/16-18 UNEF	1.230	31.24	.71	18.03	.82	20.83	.98	24.89	1.13	28.70	

Dash No.	L Dia		M Dia		N Dia		Straight Shrink Boot*
	in	mm	in	mm	in	mm	
04	.250	6.35	.289	7.34	.391	9.93	809S060-1L
05	.312	7.92	.351	8.92	.453	11.51	809S060-2L
06	.375	9.53	.414	10.52	.516	13.11	809S060-3L
07	.438	11.13	.477	12.12	.579	14.71	809S060-3L

\* Shrink Boot **MUST** be ordered separately.

Shrink boot material:

compound 2013 low temperature polyolefin with W2 hot melt adhesive.



Series 80 Mighty Mouse

M

## X-ON Electronics

Largest Supplier of Electrical and Electronic Components

*Click to view similar products for [Circular MIL Spec Strain Reliefs & Adapters](#) category:*

*Click to view products by [Glenair](#) manufacturer:*

Other Similar products are found below :

[896227-000](#) [899170S004](#) [0113-023-000](#) [6000-063-0022](#) [CS6624-000](#) [620AB038Z136](#) [620AS001Z108](#) [620AS038Z112](#) [620AS038Z120](#)  
[620AS038Z132](#) [620FB038NF08](#) [620HA038NF09](#) [620HA038NF11](#) [620HA038NF13](#) [620HA038NF25](#) [620HB049NF17](#) [620HS038NF11](#)  
[620HS038Z121](#) [620HS042XM19](#) [620HS042XM25](#) [620HS048B17](#) [620MS064NF12](#) [620MS065Z107](#) [620MS065ZNU06](#) [627-123NF21-11](#)  
[627-125NF23-6](#) [630J041M06H](#) [630J041M20H](#) [637S010NF0212H](#) [637S010NF0416A](#) [640830-000](#) [659943-000](#) [66241-10A](#) [CW0597-000](#)  
[CW0598-000](#) [CW0948-000](#) [CY0122-000](#) [M85049/41-6A W/B](#) [M85049/42-12DS](#) [M85049/47N8](#) [M85049/51-1-14S](#) [M85049/51S16S](#)  
[M85049/60-1N16](#) [M85049/60-2G12W](#) [M85049/69-11N](#) [CZ3661-000](#) [D02922-000](#) [70.360.1628.0](#) [703797-000](#) [705825-000](#)