

Series 44 Banding Backshells

for Series 80 Mighty Mouse Connectors

440M*135 Banding Backshell, Shrink Boot, Spin Coupling



Spin coupling, Band-Master ATS® shield termination. 440M*135 banding backshell fits Glenair Series 80 Mighty Mouse connectors. Terminate cable braid shield to backshell with optional micro band strap. Add shrink boot (purchased separately) for strain relief and environmental protection. Aluminum or stainless steel, silicone O-ring.

Adapter Code M

This accessory fits Series 80 Mighty Mouse Connectors

PROFILE SELECTION GUIDE

S Straight

A 90°

B 45°

K 45°

L 90°

TABLE 1: SIZE CODE

Shell Size Code	Shell Size Series		Coupling Nut Thread UNEF-2B	Max. Entry Size
	800, 801, 803, 804	Series 805		
05	5	N/A	0.250-32	03
06	6	N/A	0.3125-32	04
11	N/A	8	0.3750-32	04
07	7	9	0.4375-28	06
08	8	10	0.500-28	07
09	9	11	0.5625-24	08
10	10	12	0.625-24	09
12	11, 12, 13	13	0.6875-24	10
13	N/A	15	0.750-20	10
14	14, 15, 16, 17	18, 19	0.9375-20	14
16	19	21	1.0625-18	15
17	21	23	1.1875-18	16

PART NUMBER

440MS135 M 12 05- 6 K T

Base P/N	Profile
440MS135	S Straight
440MA135	A 90°
440MB135	B 45°
440MK135	K 45°
440ML135	L 90°

Material/Finish	
M	Alum/Electroless Nickel
MT	Alum/Nickel-PTFE
NF	Alum/Olive Drab Cadmium
ZR	Alum/Black Zinc-Nickel
TZ	Alum/Tin-Zinc
ZI	SST/Passivated

Size Code	05 06 07 08 09 10 11 12 13 14 15 16 17
	See table 1

Entry Size	Size		Size		Shell Sizes
	Size	Inside Dia.	Size	Inside Dia.	
02	.125 (3.2)	05-17	10	.625 (15.9)	12-17
03	.188 (4.8)	05-17	11	.688 (17.5)	14-17
04	.250 (6.4)	06-17	12	.750 (19.1)	14-17
05	.312 (7.9)	07-17	13	.812 (20.6)	14-17
06	.375 (9.5)	07-17	14	.875 (22.2)	14-17
07	.438 (11.1)	08-17	15	.938 (23.8)	16-17
08	.500 (12.7)	09-17	16	1.000 (25.4)	17
09	.562 (14.3)	10-17			

Length	Length Code	Length
	6	.75 (19.1)
8	1.00 (25.4)	
10	1.25 (31.8)	
12	1.50 (38.1)	
16	2.00 (50.8)	

Length applies to Profile S (straight) only. In 1/8 inch increments.

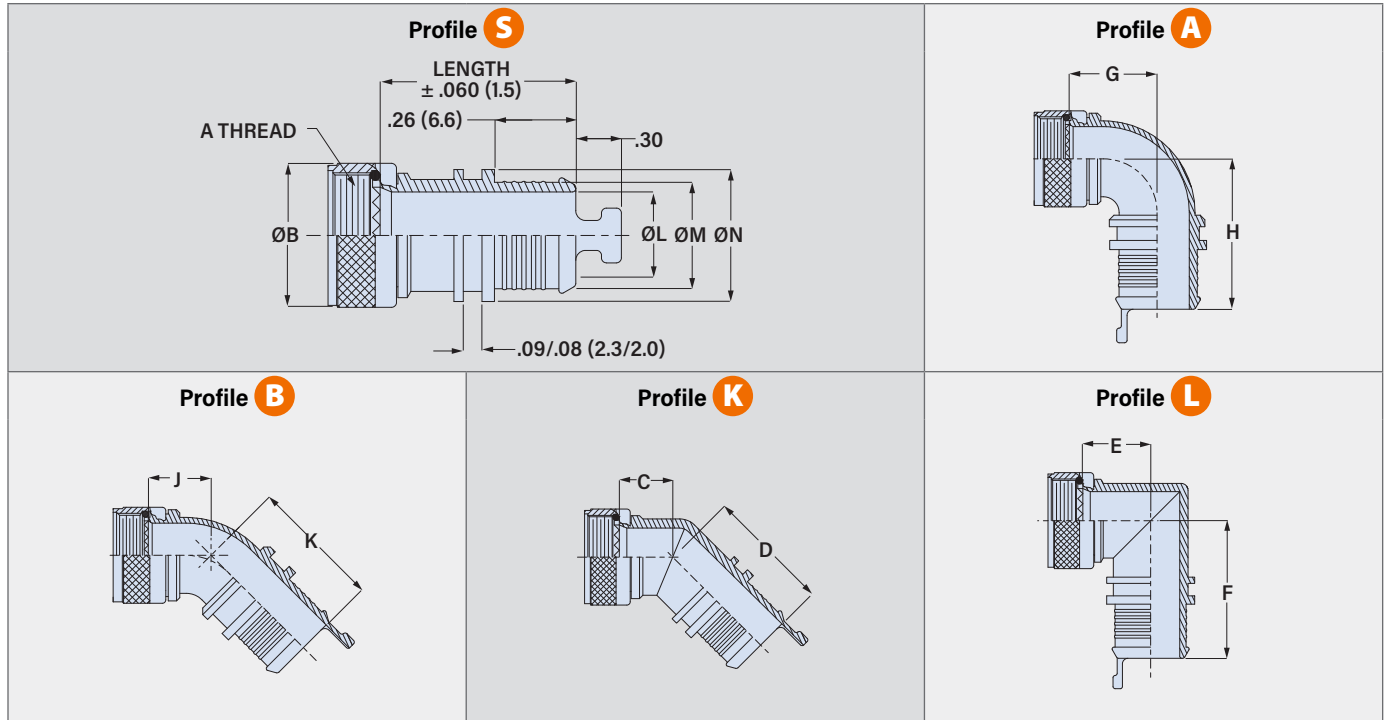
Band	Omit if not required
K	Pre-Coiled Band Included

Qwik-Ty	Omit if not required.
T	Qwik-Ty Arm

Series 44 Banding Backshells

for Series 80 Mighty Mouse Connectors

440M*135 Banding Backshell, Shrink Boot, Spin Coupling



Shell Size Code	Shell Size		A Thread UNEF-2B	øB Max.		C Max.		D Max.		E Max.		F Max.		Max. Entry Size
	Series 800, 801, 803, 804	Series 805		in	mm	in	mm	in	mm	in	mm	in	mm	
05	5	N/A	0.250-32	.470	11.9	.53	13.5	.66	16.8	.63	16.0	.78	19.8	03
06	6	N/A	0.3125-32	.530	13.5	.55	14.0	.67	17.0	.66	16.8	.79	20.1	04
11	N/A	8	0.3750-32	.570	14.5	.56	14.2	.68	17.3	.68	17.3	.81	20.6	04
07	7	9	0.4375-28	.637	16.2	.57	14.5	.69	17.5	.70	17.8	.83	21.1	06
08	8	10	0.500-28	.700	17.8	.58	14.7	.70	17.8	.74	18.8	.86	21.8	07
09	9	11	0.5625-24	.758	19.3	.59	15.0	.71	18.0	.77	19.6	.89	22.6	08
10	10	12	0.625-24	.819	20.8	.61	15.5	.73	18.5	.80	20.3	.92	23.4	09
12	11, 12, 13	13	0.6875-24	.896	22.8	.64	16.3	.75	19.1	.84	21.3	.97	24.6	10
13	N/A	15	0.750-20	.930	23.6	.66	16.8	.77	19.6	.89	22.6	1.02	25.9	10
14	14, 15, 16, 17	18, 19	0.9375-20	1.137	28.9	.69	17.5	.80	20.3	.95	24.1	1.09	27.7	14
16	19	21	1.0625-18	1.230	31.2	.71	18.0	.82	20.8	.98	24.9	1.13	28.7	15
17	21	23	1.1875-18	1.387	35.2	.72	18.3	.83	21.1	1.01	25.7	1.16	29.5	16

Entry Size	G Max.		H Max.		J Max.		K Max.		øL ± .015(0.4)		øM ± .015(0.4)		øN ± .015(0.4)	
	in	mm	in	mm	in	mm	in	mm	in	mm	in	mm	in	mm
02	.724	18.4	.962	24.4	.603	15.3	.841	21.4	.125	3.2	.164	4.2	.266	6.8
03	.724	18.4	.962	24.4	.603	15.3	.841	21.4	.188	4.8	.227	5.8	.329	8.4
04	.724	18.4	.962	24.4	.603	15.3	.841	21.4	.250	6.4	.289	7.3	.391	9.9
05	.786	20.0	1.024	26.0	.629	16.0	.867	22.0	.312	7.9	.351	8.9	.453	11.5
06	.786	20.0	1.024	26.0	.629	16.0	.867	22.0	.375	9.5	.414	10.5	.516	13.1
07	.848	21.5	1.086	27.6	.655	16.6	.893	22.7	.438	11.1	.477	12.1	.579	14.7
08	.848	21.5	1.086	27.6	.655	16.6	.893	22.7	.500	12.7	.539	13.7	.641	16.3
09	.911	23.1	1.149	29.2	.707	18.0	.945	24.0	.562	14.3	.601	15.3	.703	17.9
10	.911	23.1	1.149	29.2	.707	18.0	.945	24.0	.625	15.9	.664	16.9	.766	19.5
11	.977	24.8	1.215	30.9	.733	18.6	.971	24.7	.688	17.5	.727	18.5	.829	21.1
12	.977	24.8	1.215	30.9	.733	18.6	.971	24.7	.750	19.1	.789	20.0	.891	22.6
13	1.036	26.3	1.274	32.4	.785	19.9	1.023	26.0	.812	20.6	.851	21.6	.953	24.2
14	1.036	26.3	1.274	32.4	.785	19.9	1.023	26.0	.875	22.2	.914	23.2	1.016	25.8
15	1.098	27.9	1.336	33.9	.811	20.6	1.049	26.6	.938	23.8	.977	24.8	1.079	27.4
16	1.098	27.9	1.336	33.9	.811	20.6	1.049	26.6	1.000	25.4	1.039	26.4	1.141	29.0

X-ON Electronics

Largest Supplier of Electrical and Electronic Components

Click to view similar products for [Circular MIL Spec Backshells](#) category:

Click to view products by [Glenair](#) manufacturer:

Other Similar products are found below :

[5M2919-3DW](#) [5M2953-1HW](#) [5PTC0023-28C](#) [5PTV7106-AC](#) [5PTV7107-HC](#) [610HS012M15](#) [M28840/805WB](#) [M28840/815WA](#)
[655HS002NF11](#) [CW3899-000](#) [M85049/10-134S](#) [M85049/10-17S](#) [M85049/120-14W](#) [M85049/6-19N](#) [M85049/79-25N04](#) [M85049/81-10](#)
[M85049/85-24P01](#) [M85049/88-19P02](#) [M85049/88-21P02](#) [M85049/89-11P03](#) [M85049/90-11J03](#) [M85049/90-19P02](#) [M85049/92-09T](#) [801-](#)
[005-02Z19-19PA](#) [84030008](#) [8500-2472](#) [900](#) [85202A14](#) [FRCIR020R-16-10P-F80-T108-VO](#) [8D105B02](#) [G8234-24D](#) [1234-258-09228](#) [1234-](#)
[259-19228](#) [1234-206-11192](#) [1234-259-11192](#) [1234-259-21228](#) [1234-279-19228](#) [1234-279-23228](#) [D38999/46WF35SNLC](#) [BACC10HG24C](#)
[BACC10JP22B](#) [189HS011-15053](#) [189HS016NF1907-3](#) [205M520-19C](#) [C8824-3W25](#) [91A3-20-11-1-B-HE200](#) [30-269-1P15F09](#)
[189HS016NF1105-3](#) [189HS016NF2111-3](#) [CF7294-000](#) [290WS003G-1406H3](#)