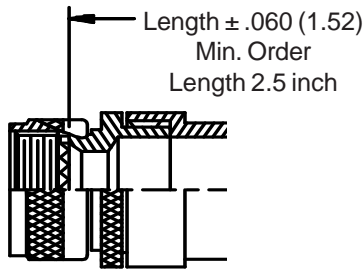
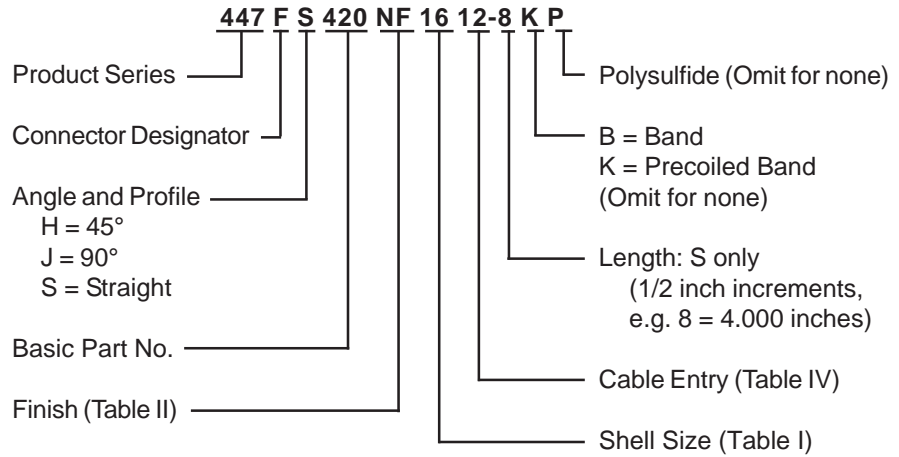
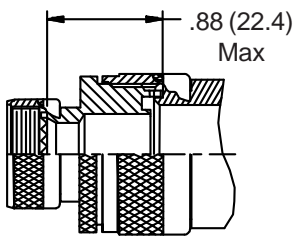
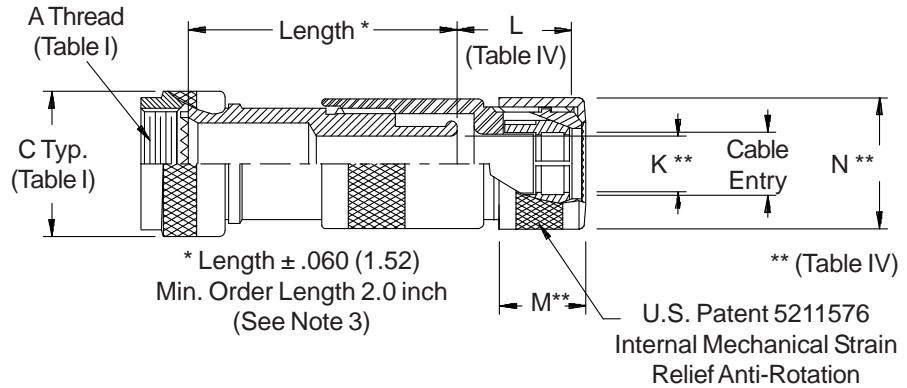


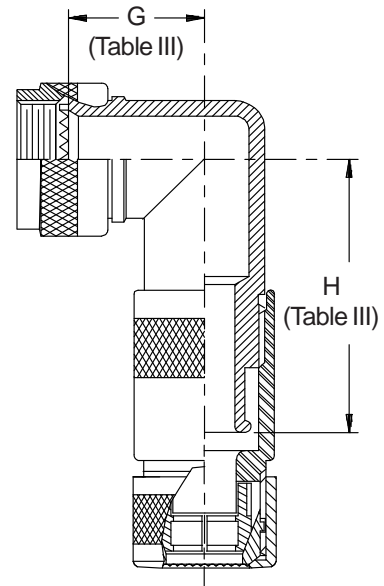
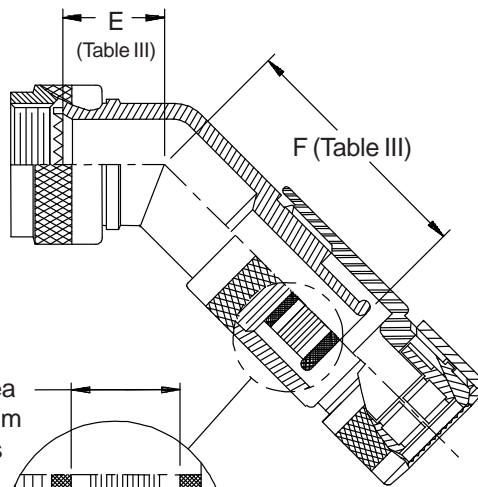
**CONNECTOR DESIGNATORS**  
**A-F-H-L-S**  
**ROTATABLE COUPLING**



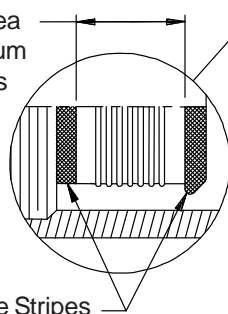
**STYLE 2 (STRAIGHT)**  
 See Note 1)



**STYLE 2 (45° & 90°)**  
 See Note 1)



Termination Area Free of Cadmium  
 Knurl or Ridges  
 Mfr's Option



**447-420**  
**EMI/RFI Non-Environmental Band-in-a-Can Backshell**  
**with QwikClamp Strain-Relief**  
**Rotatable Coupling - Standard Profile**



See inside back cover fold-out or pages 13 and 14 for Tables I and II.

**TABLE III: ELBOW DIMENSIONS**

Shell Size		E Max	F Max	G Max	H Max
Conn. Desig.	H				
A-F-L-S	H				
08	09	.639 (16.2)	1.380 (35.1)	.750 (19.1)	1.500 (38.1)
10	11	.664 (16.9)	1.410 (35.8)	.810 (20.6)	1.550 (39.4)
12	13	.688 (17.5)	1.430 (36.3)	.870 (22.1)	1.610 (40.9)
14	15	.705 (17.9)	1.460 (37.1)	.920 (23.4)	1.680 (42.7)
16	17	.732 (18.6)	1.480 (37.6)	.980 (24.9)	1.740 (44.2)
18	19	.748 (19.0)	1.490 (37.8)	1.020 (25.9)	1.760 (44.7)
20	21	.773 (19.6)	1.510 (38.4)	1.080 (27.4)	1.820 (46.2)
22	23	.800 (20.3)	1.550 (39.4)	1.140 (29.0)	1.900 (48.3)
24	25	.823 (20.9)	1.580 (40.1)	1.200 (30.5)	1.970 (50.0)

**TABLE IV: CABLE ENTRY**

Dash No.	Clamp Size (Ref)	K Dia	L Max	M Max	N Max	Cable Range	
						Min	Max
02	08	.125 (3.2)	.970 (24.6)	.530 (13.5)	.720 (18.3)	.100 (2.5)	.250 (6.4)
03	08	.188 (4.8)	.970 (24.6)	.530 (13.5)	.720 (18.3)	.098 (2.5)	.200 (5.1)
04	08	.250 (6.4)	.970 (24.6)	.530 (13.5)	.720 (18.3)	.098 (2.5)	.250 (6.4)
05	12	.312 (7.9)	1.110 (28.2)	.710 (18.0)	.910 (23.1)	.203 (5.2)	.375 (9.5)
06	12	.375 (9.5)	1.110 (28.2)	.710 (18.0)	.910 (23.1)	.203 (5.2)	.375 (9.5)
07	16	.438 (11.1)	1.210 (30.7)	.720 (18.3)	1.090 (27.7)	.328 (8.3)	.500 (12.7)
08	16	.500 (12.7)	1.210 (30.7)	.720 (18.3)	1.090 (27.7)	.328 (8.3)	.500 (12.7)
09	20	.562 (14.3)	1.210 (30.7)	.720 (18.3)	1.220 (31.0)	.452 (11.5)	.625 (15.9)
10	20	.625 (15.9)	1.210 (30.7)	.720 (18.3)	1.220 (31.0)	.452 (11.5)	.625 (15.9)
11	24	.688 (17.5)	1.210 (30.7)	.660 (16.8)	1.340 (34.0)	.515 (13.1)	.750 (19.1)
12	24	.750 (19.1)	1.360 (34.5)	.660 (16.8)	1.340 (34.0)	.515 (13.1)	.750 (19.1)
13	28	.812 (20.6)	1.360 (34.5)	.790 (20.1)	1.530 (38.9)	.640 (16.3)	.875 (22.2)
14	28	.875 (22.2)	1.510 (38.4)	.790 (20.1)	1.530 (38.9)	.640 (16.3)	.875 (22.2)
15	32	.938 (23.8)	1.510 (38.4)	.870 (22.1)	1.720 (43.7)	.765 (19.4)	1.000 (25.4)
16	32	1.000 (25.4)	1.510 (38.4)	.870 (22.1)	1.720 (43.7)	.765 (19.4)	1.000 (25.4)
17	36	1.062 (27.0)	1.510 (38.4)	.830 (21.1)	1.850 (47.0)	.859 (21.8)	1.125 (28.6)
18	36	1.125 (28.6)	1.510 (38.4)	.830 (21.1)	1.850 (47.0)	.859 (21.8)	1.125 (28.6)
20	40	1.250 (31.8)	1.510 (38.4)	.820 (20.8)	1.970 (50.0)	.984 (25.0)	1.250 (31.8)
22	44	1.375 (34.9)	1.510 (38.4)	.910 (23.1)	2.090 (53.1)	1.125 (28.6)	1.375 (34.9)
24	48	1.500 (38.1)	1.510 (38.4)	.900 (22.9)	2.280 (57.9)	1.250 (31.8)	1.500 (38.1)

1. When maximum cable entry (page 21) is exceeded, Style 2 will be supplied.  
Dimensions E, F, G, and H will not apply. Please consult factory.
2. Metric dimensions (mm) are indicated in parentheses.
3. Consult factory for shorter lengths on straight backshells.
4. Backshells supplied with 600-052-\* band, see Glenair Series 600 Tool Catalog for installation.

**-445** Now Available with the "NESTOR"

Add "-445" to Specify Glenair's Non-Detent, Spring-Loaded, Self-Locking Coupling. See Page 41 for Details.

## X-ON Electronics

Largest Supplier of Electrical and Electronic Components

*Click to view similar products for [Circular MIL Spec Backshells](#) category:*

*Click to view products by [Glenair](#) manufacturer:*

Other Similar products are found below :

[5M2919-3DW](#) [5M2920-3CW](#) [5M2953-1HW](#) [60-036152-022](#) [610HS012M15](#) [M28840/504WA](#) [M28840/805WB](#) [M28840/809WA](#)  
[M28840/815WA](#) [M28840/816WA](#) [627AS017M14](#) [62GB5851608S](#) [655HS002NF11](#) [CW3703-000](#) [CW3899-000](#) [M85049/10-134S](#)  
[M85049/10-17S](#) [M85049/10-33S](#) [M85049/10-94W](#) [M85049/11-09W](#) [M85049/11-28N](#) [M85049/11-37N](#) [M85049/11-53N](#) [M85049/11-63N](#)  
[M85049/118-20W](#) [M85049/124-23W](#) [M85049/124S09W](#) [M85049/126S23W](#) [M850491712W02](#) [M85049/1720N04B](#) [M85049/1817N06](#)  
[M850491819W03](#) [M85049/1821W05C](#) [M85049/1825W06C](#) [M85049/1919N05](#) [M85049/1919W04](#) [M850491919W07](#) [M85049/23-59W](#)  
[M85049/23-74W](#) [M8504924-5W](#) [M85049/24-71N](#) [M85049/25-47N](#) [M85049/25-94W](#) [M85049/27S12N](#) [M8504938-13S](#) [M85049/38-19S](#)  
[M85049/39-11S](#) [M85049/39-17S](#) [M85049/39-9S](#) [M85049/3W4A2](#)