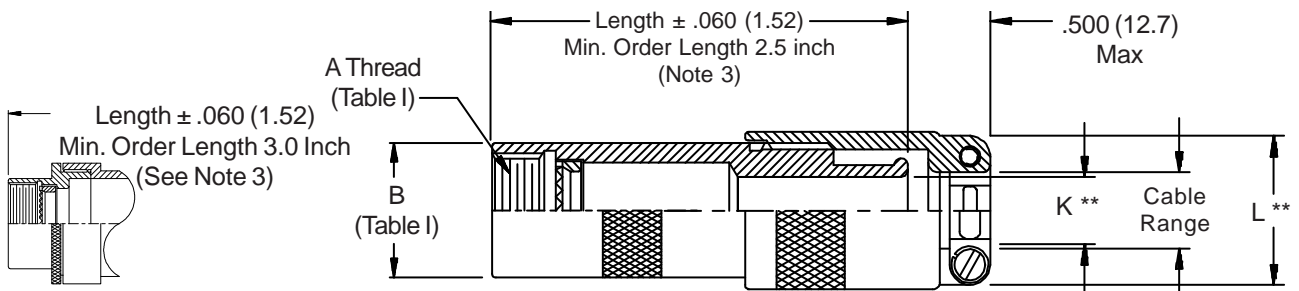
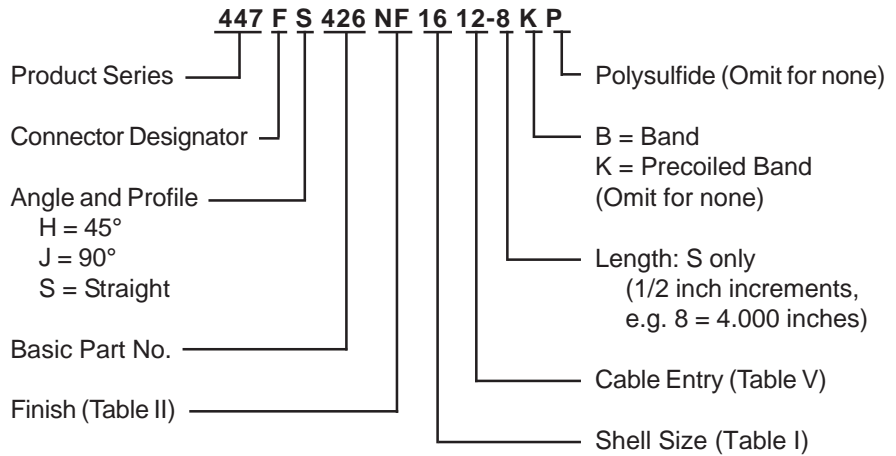
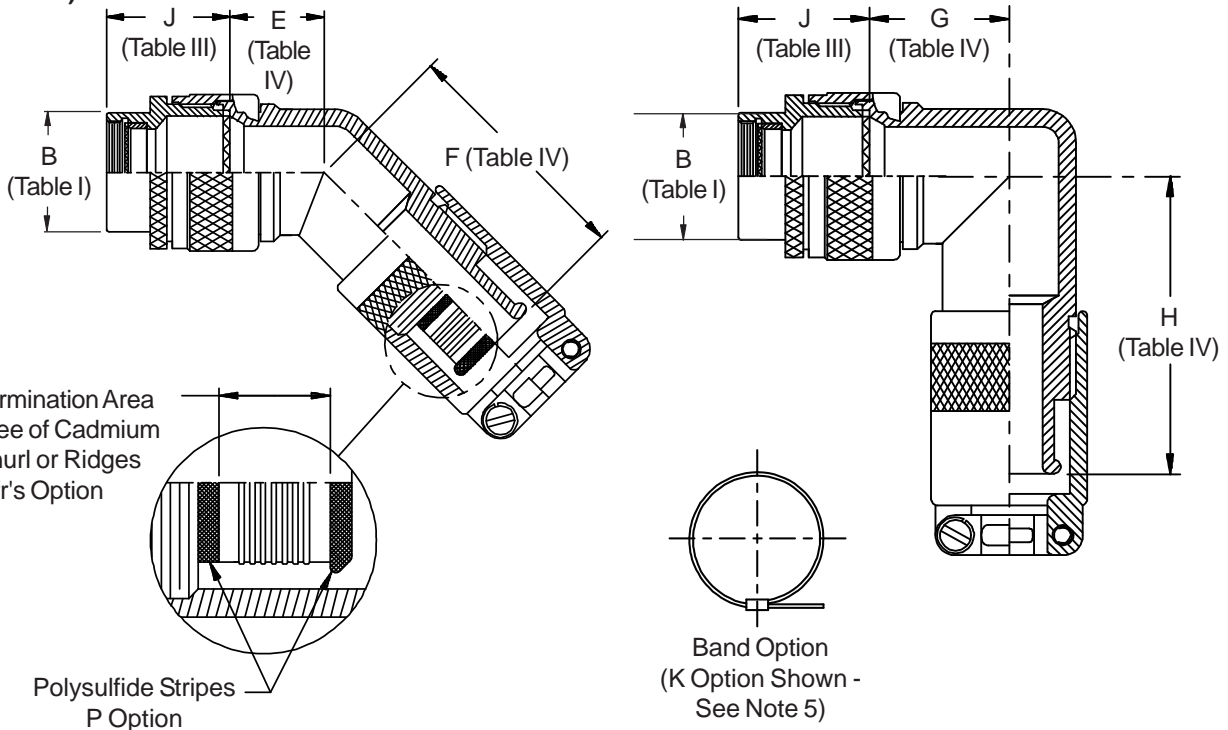


**CONNECTOR
DESIGNATORS
A-B*-C-D-E-F
G-H-J-K-L-S**
* Conn. Desig. B See Note 4
DIRECT COUPLING



**STYLE 2
(STRAIGHT
See Note 1)**

** (Table V)



447-426
EM/RFI Non-Environmental Band-in-a-Can Backshell
with Cable Clamp Strain-Relief
Direct Coupling - Standard Profile



See inside back cover fold-out or
pages 13 and 14 for Tables I and II.

TABLE III: FRONT ADAPTER			
Shell Size	J Max - Conn. Designator		
	A-E-F		
	J-H-L-S	D-B-G-K	C
08/09	1.180 (30.0)	1.250 (31.8)	
10/11	1.180 (30.0)	1.250 (31.8)	
12/13	1.180 (30.0)	1.250 (31.8)	1.735 (44.1)
14/15	1.180 (30.0)	1.250 (31.8)	1.915 (48.6)
16/17	1.380 (35.0)	1.560 (39.6)	1.915 (48.6)
18/19	1.380 (35.0)	1.560 (39.6)	1.915 (48.6)
20/21	1.380 (35.0)	1.560 (39.6)	1.915 (48.6)
22/23	1.380 (35.0)	1.560 (39.6)	1.915 (48.6)
24/25	1.380 (35.0)	1.560 (39.6)	1.915 (48.6)
28/29	1.610 (40.9)	1.560 (39.6)	1.915 (48.6)
32/33	1.610 (40.9)	1.750 (44.5)	1.915 (48.6)
36	1.610 (40.9)	1.750 (44.5)	1.915 (48.6)
40	1.610 (40.9)	2.190 (55.6)	1.915 (48.6)

TABLE IV: ELBOW DIMENSIONS								
Elbow Size	E Max		F Max		G Max		H Max	
10/12	.664	(16.9)	1.410	(35.8)	.810	(20.6)	1.550	(39.4)
14	.688	(17.5)	1.430	(36.3)	.870	(22.1)	1.610	(40.9)
16/18	.732	(18.6)	1.480	(37.6)	.980	(24.9)	1.740	(44.2)
20	.748	(19.0)	1.490	(37.8)	1.020	(25.9)	1.760	(44.7)
22	.773	(19.6)	1.510	(38.4)	1.080	(27.4)	1.820	(46.2)
24	.800	(20.3)	1.550	(39.4)	1.140	(29.0)	1.900	(48.3)
28	.823	(20.9)	1.580	(40.1)	1.200	(30.5)	1.970	(50.0)
32	1.041	(26.4)	1.750	(44.5)	1.480	(37.6)	2.210	(56.1)

TABLE V: CABLE RANGE							
Dash No.	K		L Max	Cable Range			
	±.030	±(.8)		Min		Max	
10	.220	(5.6)	1.000 (25.4)	.130	(3.3)	.250	(6.4)
12	.310	(7.9)	1.250 (31.8)	.250	(6.4)	.380	(9.7)
14	.440	(11.2)	1.340 (34.0)	.310	(7.9)	.440	(11.2)
16	.560	(14.2)	1.470 (37.3)	.375	(9.5)	.630	(16.0)
18	.630	(16.0)	1.560 (39.6)	.560	(14.2)	.690	(17.5)
20	.750	(19.1)	1.620 (41.1)	.630	(16.0)	.750	(19.1)
22	.880	(22.4)	1.750 (44.5)	.750	(19.1)	.880	(22.4)
24	1.000	(25.4)	1.870 (47.5)	.880	(22.4)	1.000	(25.4)
28	1.060	(26.9)	1.970 (50.0)	1.000	(25.4)	1.130	(28.7)
32	1.190	(30.2)	2.090 (53.1)	1.130	(28.7)	1.250	(31.8)

1. When maximum cable entry (page 22) is exceeded, Style 2 will be supplied. (Function S only).
2. Metric dimensions (mm) are indicated in parentheses.
3. Consult factory for shorter lengths on straight backshells.
4. When using Connector Designator B refer to pages 18 and 19 for part number development.
5. Backshells supplied with 600-052-* band, see Glenair Series 600 Tool Catalog for installation.

X-ON Electronics

Largest Supplier of Electrical and Electronic Components

Click to view similar products for [Circular MIL Spec Backshells](#) category:

Click to view products by [Glenair](#) manufacturer:

Other Similar products are found below :

[5M2919-3DW](#) [5M2920-3CW](#) [5M2953-1HW](#) [60-036152-022](#) [610HS012M15](#) [M28840/504WA](#) [M28840/805WB](#) [M28840/809WA](#)
[M28840/815WA](#) [M28840/816WA](#) [627AS017M14](#) [62GB5851608S](#) [655HS002NF11](#) [CW3703-000](#) [CW3899-000](#) [M85049/10-134S](#)
[M85049/10-17S](#) [M85049/10-33S](#) [M85049/10-94W](#) [M85049/11-09W](#) [M85049/11-28N](#) [M85049/11-37N](#) [M85049/11-53N](#) [M85049/11-63N](#)
[M85049/118-20W](#) [M85049/124-23W](#) [M85049/124S09W](#) [M85049/126S23W](#) [M850491712W02](#) [M85049/1720N04B](#) [M85049/1817N06](#)
[M850491819W03](#) [M85049/1821W05C](#) [M85049/1825W06C](#) [M85049/1919N05](#) [M85049/1919W04](#) [M850491919W07](#) [M85049/23-59W](#)
[M85049/23-74W](#) [M8504924-5W](#) [M85049/24-71N](#) [M85049/25-47N](#) [M85049/25-94W](#) [M85049/27S12N](#) [M8504938-13S](#) [M85049/38-19S](#)
[M85049/39-11S](#) [M85049/39-17S](#) [M85049/39-9S](#) [M85049/3W4A2](#)