

Series 44 Banding Backshells

for MIL-DTL-38999 Series I and II Connectors

447F*531 Banding Backshell, Shrink Boot, Spanner Nut

Self-Locking



Adapter Code F

This accessory fits these connectors:
MIL-DTL-38999 Series I and Series II

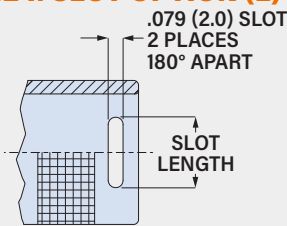
TABLE 1: ENTRY SIZE

Entry Size	øE		øF		øG		Shell Sizes
	in	mm	in	mm	in	mm	
03	.185	4.7	.303	7.7	.480	12.2	08-14
04	.252	6.4	.370	9.4	.551	14.0	08-16
05	.311	7.9	.433	11.0	.610	15.5	08-20
06	.374	9.5	.496	12.6	.673	17.1	10-22
07	.437	11.1	.555	14.1	.736	18.7	10-24
08	.500	12.7	.618	15.7	.800	20.3	12-24
10	.626	15.9	.744	18.9	.925	23.5	14-24
12	.752	19.1	.866	22.0	1.051	26.7	16-24
14	.874	22.2	.992	25.2	1.173	29.8	20-24
16	1.004	25.5	1.118	28.4	1.300	33.0	22-24
18	1.126	28.6	1.240	31.5	1.425	36.2	24
20	1.252	31.8	1.366	34.7	1.551	39.4	24

TABLE 2: LENGTH CODE

Length Code	J		K Max		L Max	
	in	mm	in	mm	in	mm
A	.291	7.4	1.035	26.3	1.362	34.6
B	.606	15.4	1.350	34.3	1.677	42.6
C	.803	20.4	1.547	39.3	1.874	47.6
D	1.197	30.4	1.941	49.3	2.768	57.6
E	.394	10.0	1.199	30.5	1.473	37.4

FIGURE 1: SLOT OPTION (L)



Entry Size	Slot Length in	Slot Length mm
03, 04, 05	.157	4.0
06, 07, 08	.276	7.0
10, 12	.433	11.0
14, 16	.472	12.0
18, 20	.551	14.0

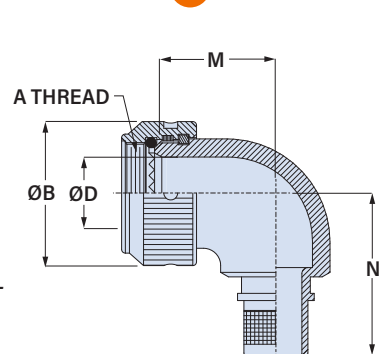
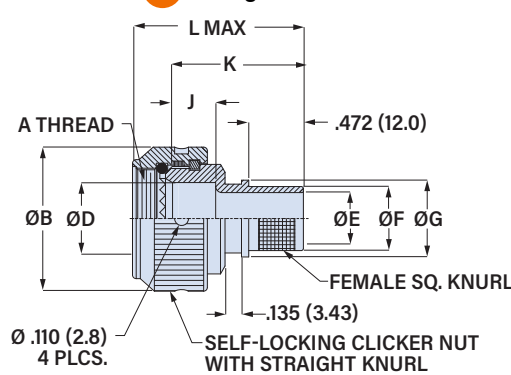
Self-locking. Impact resistant coupling nut. 447F*531 banding backshell fits MIL-DTL-38999 Series I/II connectors. Impact resistant coupling nut has 2.8 mm spanner wrench holes. Anti-decoupling mechanism provides audible detented coupling and prevents backoff under high vibration. Attach shielding and overbraid sleeving to backshell with band strap (not supplied). Shrink boot (not supplied) adds strain relief and environmental protection. Aluminum or stainless steel with thermoplastic anti-decoupling spring and SST retainer ring.

PART NUMBER

	447FS531	ZI	18	10	B	L	-157			
Base P/N	Base Part No.	Profile								
	447FS531	S	Straight							
	447FJ531	J	90°							
Material/Finish	M	Alum/ Electroless Nickel								
	MT	Alum/ Nickel-PTFE								
	NF	Alum/ Olive Drab Cadmium								
	ZR	Alum/ Black Zinc-Nickel								
	TZ	Alum/ Tin-Zinc								
	ZI	SST/ Passivated								
Shell Size	Shell Size									
	38999 Series I	9	11	13	15	17	19	21	23	25
	38999 Series II	8	10	12	14	16	18	20	22	24
	Size Code	08	10	12	14	16	18	20	22	24
Entry Size	See Table 1									
Length	Applies to Profile S only. See Table 2. A B C D E									
Slot	Omit if not required. See Figure 1. L Slots for Individual Shields									
Teflon Coating	Omit if not required. -157 Teflon Coating on Inside Surface									

S Straight

J 90°



Shell Size	A Thread UNEF-2B	øB Max in	øB Max mm	øD Min in	øD Min mm	M Max in	M Max mm	N Max in	N Max mm	Max Entry Size
8/9	0.4375-28	.858	21.8	.264	6.7	.553	14.1	1.222	31.1	05
10/11	0.5625-24	.984	25.0	.380	9.7	.622	15.8	1.347	34.2	07
12/13	0.6875-24	1.157	29.4	.494	12.6	.683	17.4	1.494	38.0	08
14/15	0.8125-20	1.280	32.5	.620	15.6	.744	18.9	1.561	40.0	10
16/17	0.9375-20	1.406	35.7	.746	19.0	.799	20.3	1.624	41.3	12
18/19	1.0625-18	1.516	38.5	.833	21.1	.846	21.5	1.722	43.8	12
20/21	1.1875-18	1.642	41.7	.959	24.4	1.047	26.6	1.847	46.9	14
22/23	1.3125-18	1.768	44.9	1.081	27.5	.969	24.6	1.972	50.1	16
24/25	1.4375-18	1.890	48.0	1.207	30.7	1.047	26.6	2.098	53.3	20

X-ON Electronics

Largest Supplier of Electrical and Electronic Components

Click to view similar products for [Circular MIL Spec Backshells](#) category:

Click to view products by [Glenair](#) manufacturer:

Other Similar products are found below :

[5M2919-3DW](#) [5M2953-1HW](#) [5PTC0023-28C](#) [5PTV7106-AC](#) [5PTV7107-HC](#) [610HS012M15](#) [M28840/805WB](#) [M28840/815WA](#)
[655HS002NF11](#) [CW3899-000](#) [M85049/10-134S](#) [M85049/10-17S](#) [M85049/120-14W](#) [M85049/6-19N](#) [M85049/79-25N04](#) [M85049/81-10](#)
[M85049/85-24P01](#) [M85049/88-19P02](#) [M85049/88-21P02](#) [M85049/89-11P03](#) [M85049/90-11J03](#) [M85049/90-19P02](#) [M85049/92-09T](#) [801-](#)
[005-02Z19-19PA](#) [84030008](#) [8500-2472](#) [900](#) [85202A14](#) [FRCIR020R-16-10P-F80-T108-VO](#) [8D105B02](#) [G8234-24D](#) [1234-258-09228](#) [1234-](#)
[259-19228](#) [1234-206-11192](#) [1234-259-11192](#) [1234-259-21228](#) [1234-279-19228](#) [1234-279-23228](#) [D38999/46WF35SNLC](#) [BACC10HG24C](#)
[BACC10JP22B](#) [189HS011-15053](#) [189HS016NF1907-3](#) [205M520-19C](#) [C8824-3W25](#) [91A3-20-11-1-B-HE200](#) [30-269-1P15F09](#)
[189HS016NF1105-3](#) [189HS016NF2111-3](#) [CF7294-000](#) [290WS003G-1406H3](#)