

SYM.	REVISIONS	
	DESCRIPTION	DATE
	SEE SHEET 1	

SHELL SIZE	A THREAD ISO METRIC	B MAX	C MAX	D MAX	E MAX	F MAX	G FLATS		MAX ENTRY
							MAX	MIN	
09	M12 X 1.0 - 6H	.812	1.995	1.03	1.339	1.405	.750	.736	08
11	M15 X 1.0 - 6H	.938	2.055	1.10	1.465	1.435	.875	.860	08
13	M18 X 1.0 - 6H	1.125	2.125	1.16	1.589	1.465	1.000	.980	12
15	M22 X 1.0 - 6H	1.250	2.185	1.22	1.715	1.485	1.125	1.100	16
17	M25 X 1.0 - 6H	1.375	2.245	1.31	1.901	1.515	1.250	1.224	16
19	M28 X 1.0 - 6H	1.500	2.265	1.37	2.025	1.535	1.375	1.348	16
21	M31 X 1.0 - 6H	1.625	2.405	1.37	2.025	1.565	1.500	1.469	20
23	M34 X 1.0 - 6H	1.750	2.435	1.44	2.152	1.595	1.625	1.581	20
25	M37 X 1.0 - 6H	1.875	2.495	1.56	2.403	1.615	1.750	1.690	20

TABLE II		H REF	J REF
DASH NO			
04	.63	.47	
08	.87	.71	
12	1.17	1.01	
16	1.42	1.26	
20	1.73	1.57	

TABLE III	
SYM	FINISH DESCRIPTION
XM	ELECTROLESS NICKEL
XW	CADMIUM OLIVE DRAB OVER ELECTROLESS NICKEL

PART NUMBER DEVELOPMENT

EXAMPLE: 447 H E 770 XM 19 04 - 4

PRODUCT SERIES

CONNECTOR DESIGNATOR, H = MIL-C-38999 SER. III & IV

ANGULAR FUNCTION

SYM E = 90°

SYM F = 45°

SYM S = STRAIGHT

BASIC NO

FINISH SYM, TABLE III

SHELL SIZE, TABLE I

DASH NO, TABLE II

LENGTH IN 1/2 INCH INCREMENTS (e.g. 4 = 2.0 INCHES)

MIN. LENGTH 1.50 INCHES.

APPLIES TO SYM S, STRAIGHT, ONLY.

LOCKHEED MARTIN
JSFC19, JSFC20 &
JSFC21

UNLESS OTHERWISE SPECIFIED DIMENSIONS ARE IN INCHES

TOLEANCES:

FRACTIONS ± 1/16

DECIMALS .XX ± .03
.XXX ± .015

ANGLES ± 2°

DO NOT SCALE THIS DRAWING

RELEASE DATE 04/16/03

DATE 04/16/03

SCALE N/A

WEIGHT N/A

SHEET 2 OF 2

447H*770

COMPOSITE

BACKSHELL, SPLIT, RTI/EMI FOR MIL-C-38999 SERIES III & IV CONNECTORS

CODE IDENT. NO. 06324

SIZE C

REV. 4

NON REPARABLE COMMERCIAL ITEM

E/F 03-2537 P/C 447H*

DRAWN T.L.E. 04/16/03

CHECK P. OAKES 04/16/03

ENGR R. PAINTER 04/16/03

APPROVED R. PAINTER

APPROVED P. OAKES

RELEASE DATE 04/16/03

DATE 04/16/03

SCALE N/A

WEIGHT N/A

SHEET 2 OF 2

UNLESS OTHERWISE SPECIFIED DIMENSIONS ARE IN INCHES

TOLEANCES:

FRACTIONS ± 1/16

DECIMALS .XX ± .03
.XXX ± .015

ANGLES ± 2°

DO NOT SCALE THIS DRAWING

RELEASE DATE 04/16/03

DATE 04/16/03

SCALE N/A

WEIGHT N/A

SHEET 2 OF 2

UNLESS OTHERWISE SPECIFIED DIMENSIONS ARE IN INCHES

TOLEANCES:

FRACTIONS ± 1/16

DECIMALS .XX ± .03
.XXX ± .015

ANGLES ± 2°

DO NOT SCALE THIS DRAWING

RELEASE DATE 04/16/03

DATE 04/16/03

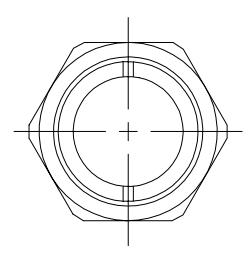
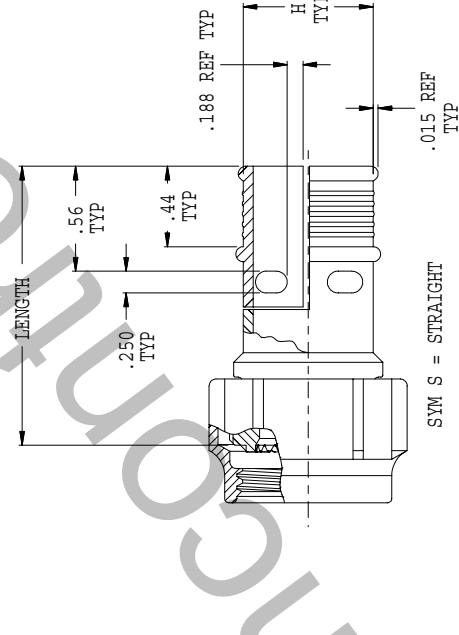
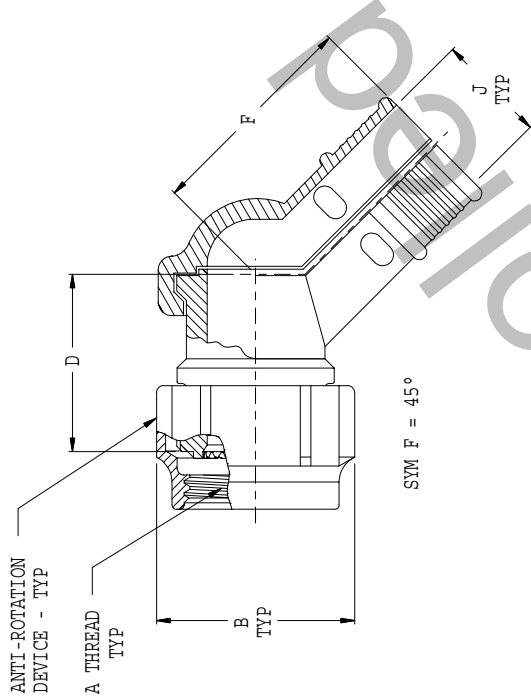
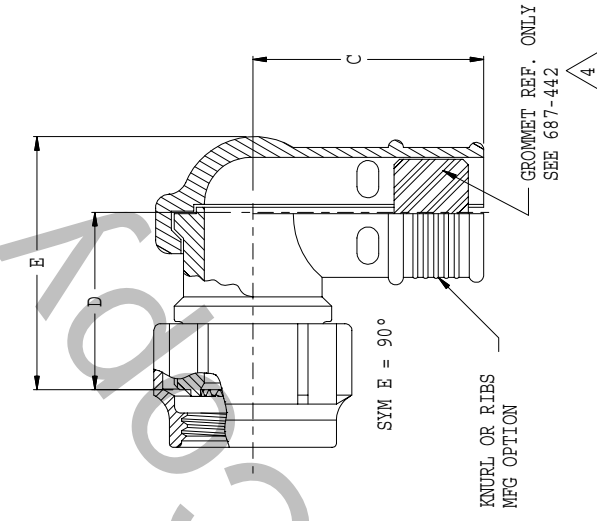
SCALE N/A

WEIGHT N/A

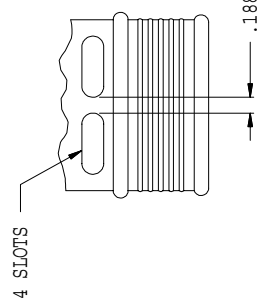
SHEET 2 OF 2

- NOTES:
- ASSEMBLY IDENTIFIED WITH MANUFACTURER'S NAME AND P/N, SPACE PERMITTING.
 - FOR EFFECTIVE GROUNDING, CONNECTOR WITH CONDUCTIVE FINISH SHOULD BE USED.
 - GLENAIR 600 SERIES BACKSHELL ASSEMBLY TOOLS ARE RECOMMENDED FOR ASSEMBLY AND INSTALLATION.
 - SEE 687-442 FOR FIBER GROMMET.
 - MATERIAL/FINISH: ADAPTER & ELBOWS - HI-GRADE ENGINEERING THERMOPLASTIC/SEE TABLE III
COUPLING NUT & ANTI-DECOUPLING DEVICE - HI-GRADE ENGINEERING THERMOPLASTIC/NA

REVISIONS	
SYM.	DESCRIPTION
4	PRELIMINARY
	DATE APPROVED
	05/25/04 KB



LOCKHEED MARTIN
JSFC19, JSFC20 &
JSFC21



UNLESS OTHERWISE SPECIFIED DIMENSIONS ARE IN INCHES		DRAWN T. ILE 04/16/03	CAD 2003
TOLERANCES:		CHECK P. OAKES 04/16/03	GLENAIR, INC.
FRACTIONS ± 1/16		ENGR R. PAINTER 04/16/03	1211 AIR WAY - GLENDALE - CALIFORNIA 91201
DECIMALS .XX ± .03		COMPOSITE	
ANGLES ± 2°		BACKSHELL, SPLIT, RPT/EMI	
DO NOT SCALE THIS DRAWING		FOR MIL-C-38999	
B/F 03-2537	F/C 447H*	SERIES III & IV CONNECTORS	
NON REPAIRABLE COMMERCIAL ITEM		SCALE N/A WEIGHT N/A SHEET 1 OF 2	
		RELEASE DATE 04/16/03	CODE IDENT. NO. 06324
		DATE APPROVED	SIZE C 447H*770
		DATE DRAWN	REV. 4

X-ON Electronics

Largest Supplier of Electrical and Electronic Components

Click to view similar products for [Circular MIL Spec Backshells](#) category:

Click to view products by [Glenair](#) manufacturer:

Other Similar products are found below :

[60-036152-022](#) [610HS012M15](#) [M28840/504WA](#) [M28840/805WB](#) [M28840/809WA](#) [M28840/815WA](#) [M28840/816WA](#) [627AS017M14](#)
[627MA124M14S](#) [655HS002NF11](#) [CW3899-000](#) [M85049/10-134S](#) [M85049/10-17S](#) [M85049/10-33S](#) [M85049/10-94W](#) [M85049/11-28N](#)
[M85049/11-37N](#) [M85049/11-53N](#) [M85049/11-63N](#) [M85049/124-23W](#) [M85049/1720N04B](#) [M85049/1821W05C](#) [M85049/1825W06C](#)
[M85049/1919N05](#) [M85049/23-74W](#) [M85049/24-71N](#) [M85049/25-47N](#) [M85049/25-94W](#) [M85049/27S12N](#) [M85049/39-11S](#) [M85049/39-17S](#)
[M85049/39-9S](#) [M85049/6-10B](#) [M85049/6-19N](#) [M85049/6-20B](#) [M85049/77-20W04](#) [M85049/78-11N03](#) [M85049/78-15W02](#) [M85049/78-](#)
[17N04](#) [M85049/78-19N05](#) [M85049/79-19N07](#) [M85049/79-25N04](#) [M85049/82-18N02](#) [M85049/82-22P02](#) [M85049/83-10W03](#) [M85049/84-](#)
[20N03](#) [M85049/8-48N](#) [M85049/85-24N01](#) [M85049/85-24P01](#) [M85049/86-16P03](#)