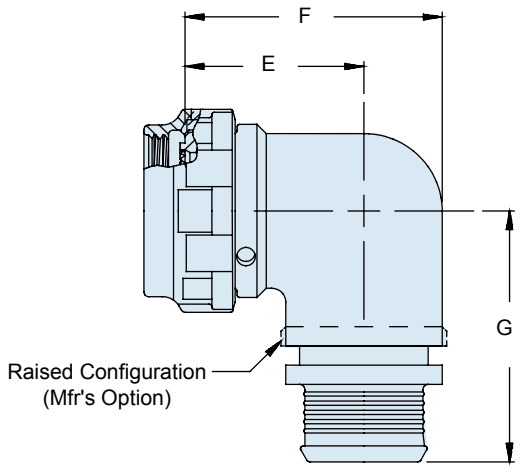
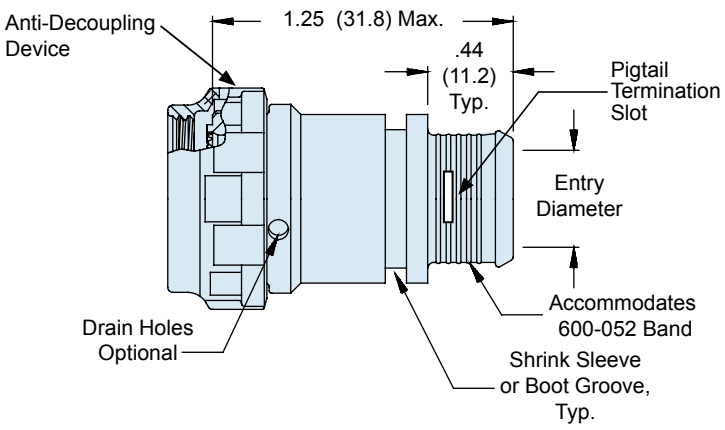
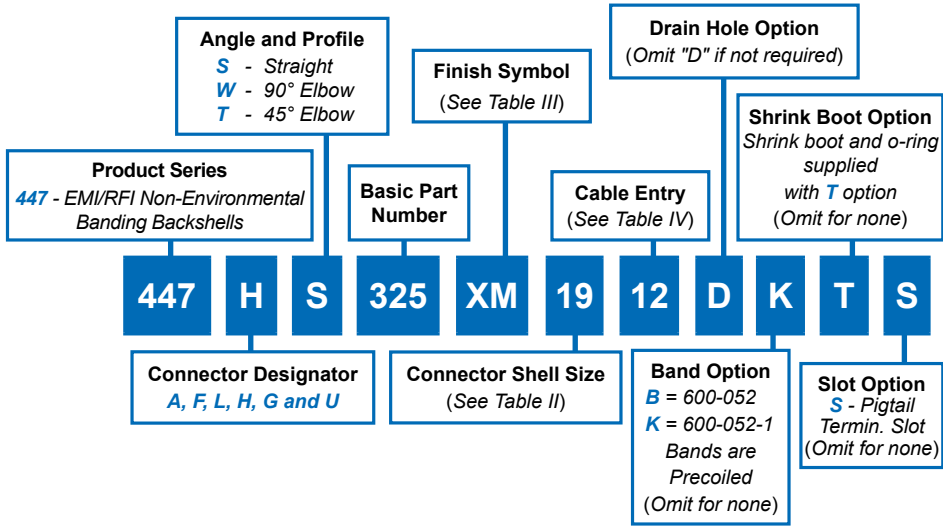




# 447-325 Composite Standard Profile EMI/RFI Banding Backshell with Shrink Boot Porch and Self-Locking Rotatable Coupling

**A**

CONNECTOR DESIGNATOR:	
<b>A</b>	MIL-DTL-5015, -26482 Series II, and -83723 Series I and III
<b>F</b>	MIL-DTL-38999 Series I, II
<b>L</b>	MIL-DTL-38999 Series 1.5 (JN1003)
<b>H</b>	MIL-DTL-38999 Series III and IV
<b>G</b>	MIL-DTL-28840
<b>U</b>	DG123 and DG123A
<b>SELF-LOCKING</b>	
<b>ROTATABLE COUPLING</b>	
<b>STANDARD PROFILE</b>	



Shell Size For Connector Designator*					E	F	G	Max Entry Dash No. (Table IV)**
A	F/L	H	G	U	± .06 (1.5)	± .09 (2.3)	± .09 (2.3)	
08	08	09	-	-	.69 (17.5)	.88 (22.4)	1.19 (30.2)	04
10	10	11	-	08	.75 (19.1)	1.00 (25.4)	1.25 (31.8)	06
12	12	13	11	10	.81 (20.6)	1.13 (28.7)	1.31 (33.3)	08
14	14	15	13	12	.88 (22.4)	1.31 (33.3)	1.38 (35.1)	10
16	16	17	15	14	.94 (23.9)	1.38 (35.1)	1.44 (36.6)	12
18	18	19	17	16	.97 (24.6)	1.44 (36.6)	1.47 (37.3)	13
20	20	21	19	18	1.06 (26.9)	1.63 (41.4)	1.56 (39.6)	15
22	22	23	-	20	1.13 (28.7)	1.75 (44.5)	1.63 (41.4)	17
24	24	25	23	22	1.19 (30.2)	1.88 (47.8)	1.69 (42.9)	19
28	-	-	25	24	1.34 (34.0)	2.13 (54.1)	1.78 (45.2)	22

\*\*Consult factory for additional entry sizes available.

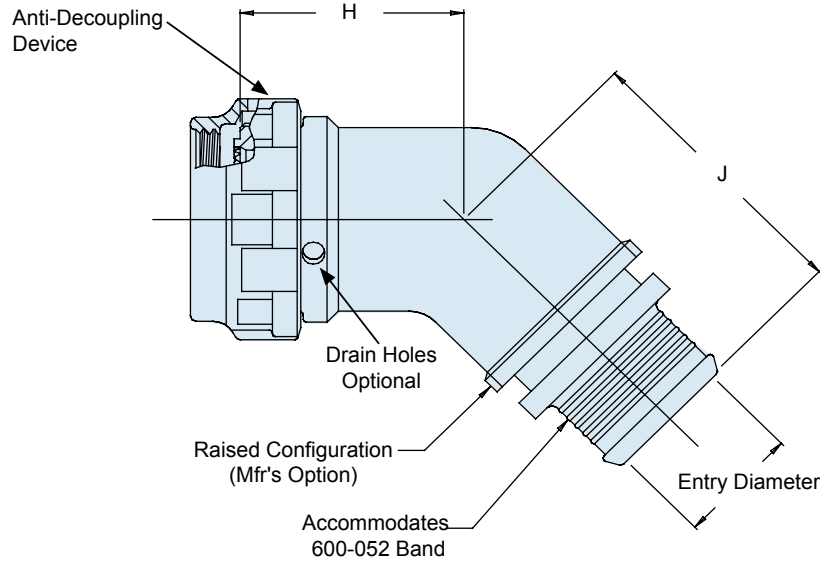
447-325

**Composite Standard Profile EMI/RFI  
Banding Backshell with Shrink Boot Porch  
and Self-Locking Rotatable Coupling**



Composite Backshells

**A**



**TABLE IV: CABLE ENTRY**

Entry Code	Entry Dia. ±.03 (0.8)	Dash No.	Entry Dia. ±.03 (0.8)
03	.19 (4.8)	13	.81 (20.6)
04	.25 (6.4)	14	.88 (22.4)
05	.31 (7.9)	15	.94 (23.9)
06	.38 (9.7)	16	1.00 (25.4)
07	.44 (11.2)	17	1.06 (26.9)
08	.50 (12.7)	18	1.13 (28.7)
09	.56 (14.2)	19	1.19 (30.2)
10	.63 (16.0)	20	1.25 (31.8)
11	.69 (17.5)	22	1.38 (35.1)
12	.75 (19.1)		

**TABLE III: FINISH**

Symbol	Finish Description
XM	2000 Hour Corrosion Resistant Electroless Nickel
XMT	2000 Hour Corrosion Resistant Ni-PTFE, Nickel-Fluorocarbon Polymer. 1000 Hour Grey™
XW	2000 Hour Corrosion Resistant Cadmium/Olive Drab over Electroless Nickel

**TABLE II: CONNECTOR SHELL SIZE (45°)**

Shell Size For Connector Designator*					H	J	Max Entry Dash No.
A	F/L	H	G	U	±.06 (1.5)	±.09 (2.3)	(Table IV)
08	08	09	-	-	.72 (18.3)	1.00 (25.4)	04
10	10	11	-	08	.75 (19.1)	1.06 (26.9)	06
12	12	13	11	10	.75 (19.1)	1.13 (28.7)	08
14	14	15	13	12	.76 (19.3)	1.16 (29.5)	10
16	16	17	15	14	.78 (19.8)	1.18 (30.0)	12
18	18	19	17	16	.79 (20.1)	1.19 (30.2)	13
20	20	21	19	18	.82 (20.8)	1.22 (31.0)	15
22	22	23	-	20	.86 (21.8)	1.26 (32.0)	17
24	24	25	23	22	.89 (22.6)	1.29 (32.8)	19
28	-	-	25	24	.92 (23.4)	1.32 (33.5)	22

**NOTES**

- 770-001S\*\*-0 shrink boot supplied with T option. See shrink boot product page for more details.
- O-Ring will not be supplied with Connector Designator A.
- Coupling nut supplied unplated.
- Consult factory for O-Ring to be supplied with part less shrink boot.
- Metric dimensions (mm) are in parenthesis and are for reference only.
- See Table I in Intro for front-end dimensional details.

## X-ON Electronics

Largest Supplier of Electrical and Electronic Components

*Click to view similar products for [Circular MIL Spec Backshells](#) category:*

*Click to view products by [Glenair](#) manufacturer:*

Other Similar products are found below :

[60-036152-022](#) [610HS012M15](#) [M28840/504WA](#) [M28840/805WB](#) [M28840/809WA](#) [M28840/815WA](#) [M28840/816WA](#) [627AS017M14](#)  
[627MA124M14S](#) [655HS002NF11](#) [CW3899-000](#) [M85049/10-134S](#) [M85049/10-17S](#) [M85049/10-33S](#) [M85049/10-94W](#) [M85049/11-28N](#)  
[M85049/11-37N](#) [M85049/11-53N](#) [M85049/11-63N](#) [M85049/124-23W](#) [M85049/1720N04B](#) [M85049/1821W05C](#) [M85049/1825W06C](#)  
[M85049/1919N05](#) [M85049/23-74W](#) [M85049/24-71N](#) [M85049/25-47N](#) [M85049/25-94W](#) [M85049/27S12N](#) [M85049/39-11S](#) [M85049/39-17S](#)  
[M85049/39-9S](#) [M85049/6-10B](#) [M85049/6-19N](#) [M85049/6-20B](#) [M85049/77-20W04](#) [M85049/78-11N03](#) [M85049/78-15W02](#) [M85049/78-](#)  
[17N04](#) [M85049/78-19N05](#) [M85049/79-19N07](#) [M85049/79-25N04](#) [M85049/82-18N02](#) [M85049/82-22P02](#) [M85049/83-10W03](#) [M85049/84-](#)  
[20N03](#) [M85049/8-48N](#) [M85049/85-24N01](#) [M85049/85-24P01](#) [M85049/86-16P03](#)