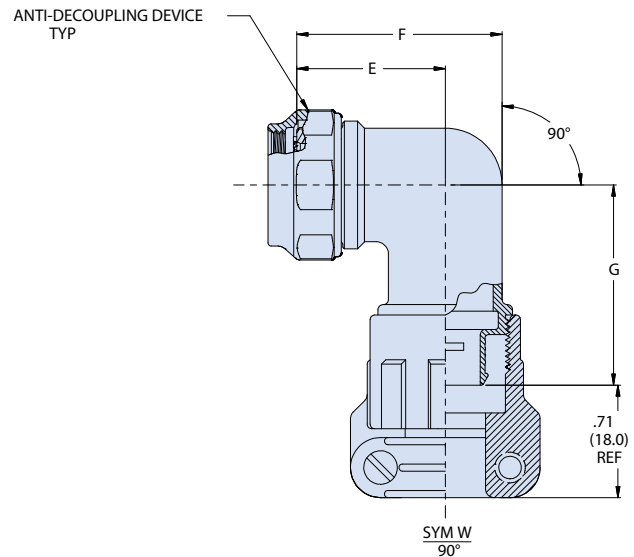
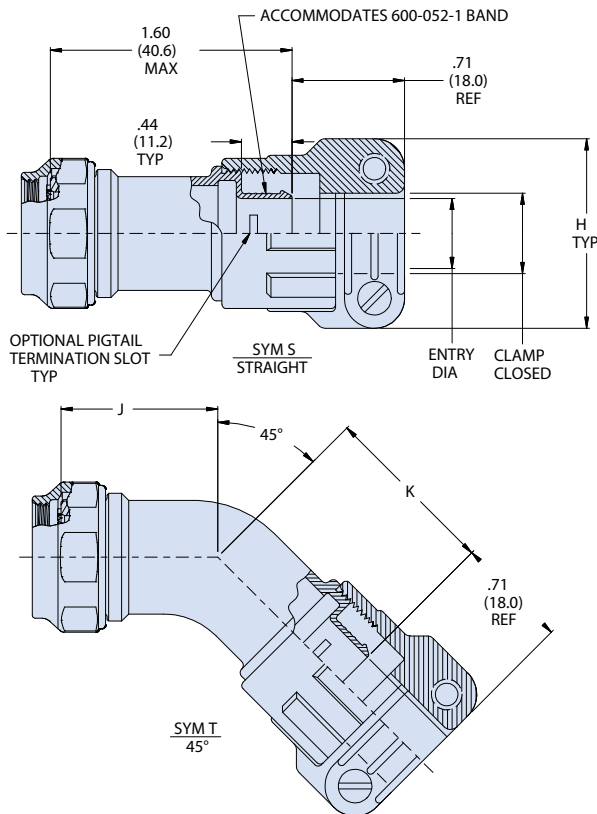
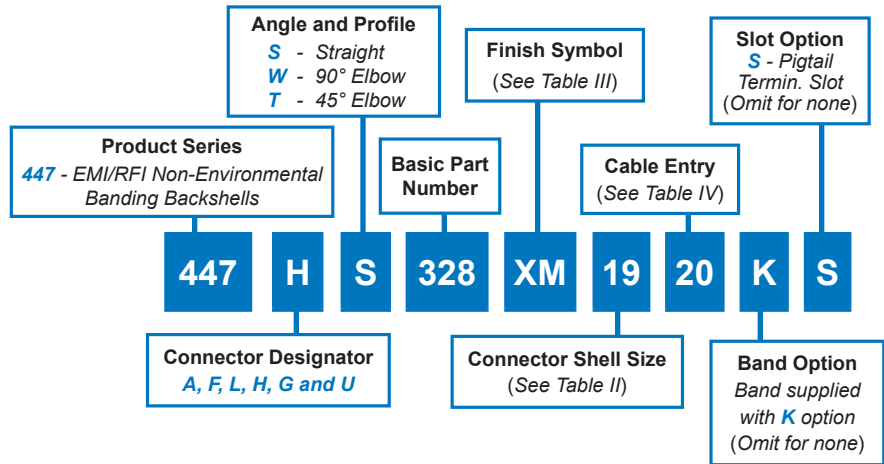


**A**

CONNECTOR DESIGNATOR:	
<b>A</b>	MIL-DTL-5015, -26482 Series II, and -83723 Series I and III
<b>F</b>	MIL-DTL-38999 Series I, II
<b>L</b>	MIL-DTL-38999 Series 1.5 (JN1003)
<b>H</b>	MIL-DTL-38999 Series III and IV
<b>G</b>	MIL-DTL-28840
<b>U</b>	DG123 and DG123A
<b>SELF-LOCKING</b>	
<b>ROTATABLE COUPLING</b>	
<b>STANDARD PROFILE</b>	



- NOTES**
1. Metric dimensions (mm) are in parenthesis and are for reference only.
  2. Coupling nut supplied unplated.
  3. See Table I in Intro for front-end dimensional details.

447-328

**Composite Standard Profile EMI/RFI  
Band-in-a-Can Backshell with Strain-Relief Clamp  
and Self-Locking Rotatable Coupling**



Composite Backshells

A

**TABLE II: CONNECTOR SHELL SIZE**

Shell Size For Connector Designator*					E		F		G		J		K		Max Entry Dash No.**
A	F/L	H	G	U	± .06	(1.5)	± .09	(2.3)	Max	± .06	(1.5)	± .09	(2.3)		
08	08	09	-	-	.69	(17.5)	.88	(22.4)	1.31	(33.3)	.72	(18.3)	1.15	(29.2)	10
10	10	11	-	08	.75	(19.1)	1.00	(25.4)	1.42	(36.1)	.75	(19.1)	1.27	(32.3)	12
12	12	13	11	10	.81	(20.6)	1.13	(28.7)	1.57	(39.9)	.75	(19.1)	1.33	(33.8)	14
14	14	15	13	12	.88	(22.4)	1.31	(33.3)	1.57	(39.9)	.76	(19.3)	1.37	(34.8)	16
16	16	17	15	14	.94	(23.9)	1.38	(35.1)	1.64	(41.7)	.78	(19.8)	1.39	(35.3)	20
18	18	19	17	16	.97	(24.6)	1.44	(36.6)	1.73	(43.9)	.79	(20.1)	1.41	(35.8)	20
20	20	21	19	18	1.06	(26.9)	1.63	(41.4)	1.82	(46.2)	.82	(20.8)	1.43	(36.3)	22
22	22	23	-	20	1.13	(28.7)	1.75	(44.5)	1.82	(46.2)	.86	(21.8)	1.47	(37.3)	24
24	24	25	23	22	1.19	(30.2)	1.88	(47.8)	1.92	(48.8)	.89	(22.6)	1.50	(38.1)	32
28	-	-	25	24	1.34	(34.0)	2.13	(54.1)	2.00	(50.8)	.92	(23.4)	1.53	(38.9)	32

\*\*Consult factory for additional entry sizes available.

**TABLE III: FINISH**

Symbol	Finish Description
XM	2000 Hour Corrosion Resistant Electroless Nickel
XMT	2000 Hour Corrosion Resistant Ni-PTFE, Nickel-Fluorocarbon Polymer. 1000 Hour Grey™
XW	2000 Hour Corrosion Resistant Cadmium/Olive Drab over Electroless Nickel

**TABLE IV: CABLE ENTRY**

Entry Code	H		Entry Dia.*		Clamp Closed	
	±.06	(1.5)	±.03	(0.8)	±.03	(0.8)
10	.94	(23.9)	.22	(5.6)	.26	(6.6)
12	1.17	(29.7)	.28	(7.1)	.34	(8.6)
14	1.28	(32.5)	.34	(8.6)	.46	(11.7)
16	1.41	(35.8)	.46	(11.7)	.55	(14.0)
18	1.50	(38.1)	.55	(14.0)	.62	(15.7)
20	1.56	(39.6)	.62	(15.7)	.70	(17.8)
22	1.69	(42.9)	.70	(17.8)	.78	(19.8)
24	1.81	(46.0)	.78	(19.8)	.85	(21.6)
28	1.91	(48.5)	.85	(21.6)	.95	(24.1)
32	2.02	(51.3)	.95	(24.1)	1.02	(25.9)

\* Entry diameter equals maximum wire bundle diameter.

## X-ON Electronics

Largest Supplier of Electrical and Electronic Components

*Click to view similar products for [Circular MIL Spec Backshells](#) category:*

*Click to view products by [Glenair](#) manufacturer:*

Other Similar products are found below :

[60-036152-022](#) [610HS012M15](#) [M28840/504WA](#) [M28840/805WB](#) [M28840/809WA](#) [M28840/815WA](#) [M28840/816WA](#) [627AS017M14](#)  
[627MA124M14S](#) [655HS002NF11](#) [CW3899-000](#) [M85049/10-134S](#) [M85049/10-17S](#) [M85049/10-33S](#) [M85049/10-94W](#) [M85049/11-28N](#)  
[M85049/11-37N](#) [M85049/11-53N](#) [M85049/11-63N](#) [M85049/124-23W](#) [M85049/1720N04B](#) [M85049/1821W05C](#) [M85049/1825W06C](#)  
[M85049/1919N05](#) [M85049/23-74W](#) [M85049/24-71N](#) [M85049/25-47N](#) [M85049/25-94W](#) [M85049/27S12N](#) [M85049/39-11S](#) [M85049/39-17S](#)  
[M85049/39-9S](#) [M85049/6-10B](#) [M85049/6-19N](#) [M85049/6-20B](#) [M85049/77-20W04](#) [M85049/78-11N03](#) [M85049/78-15W02](#) [M85049/78-](#)  
[17N04](#) [M85049/78-19N05](#) [M85049/79-19N07](#) [M85049/79-25N04](#) [M85049/82-18N02](#) [M85049/82-22P02](#) [M85049/83-10W03](#) [M85049/84-](#)  
[20N03](#) [M85049/8-48N](#) [M85049/85-24N01](#) [M85049/85-24P01](#) [M85049/86-16P03](#)