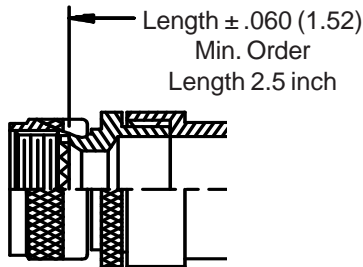
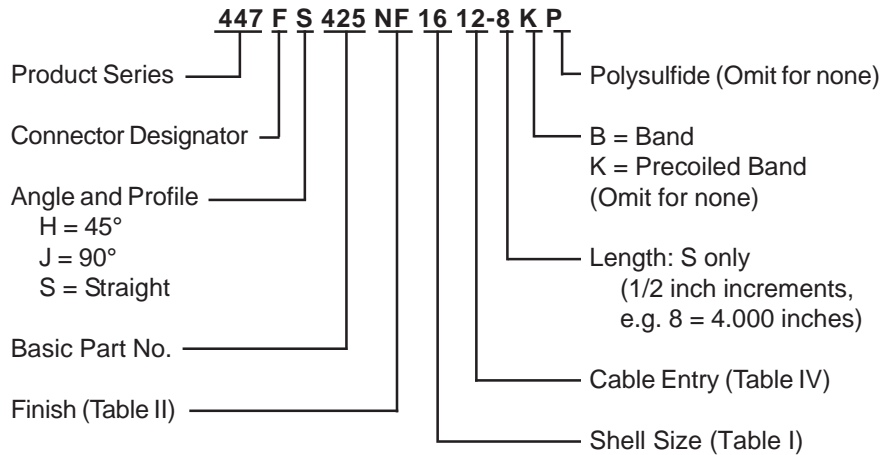
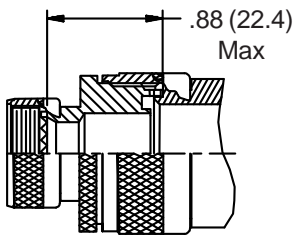
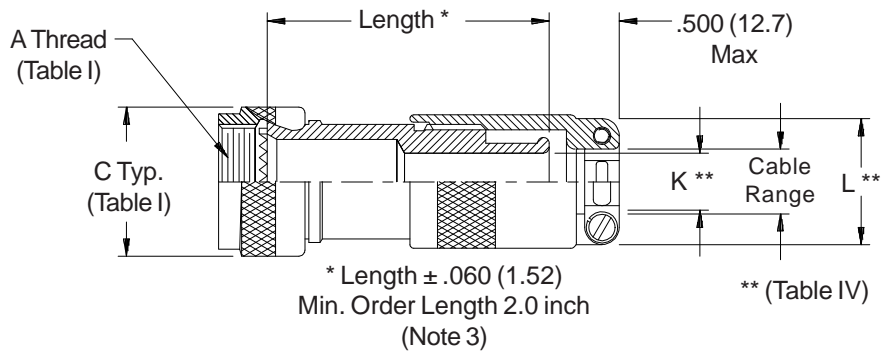


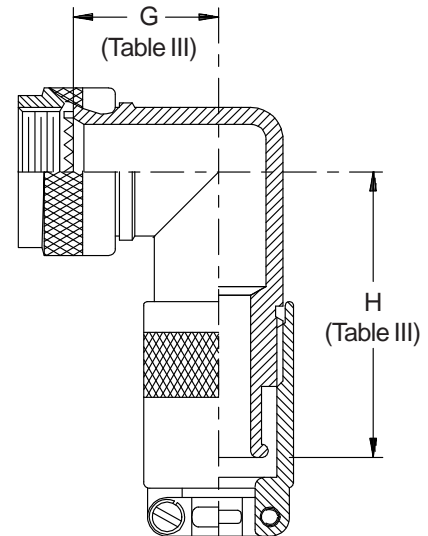
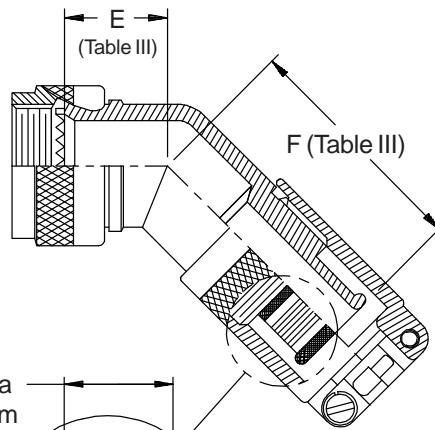
**CONNECTOR
DESIGNATORS
A-F-H-L-S
ROTATABLE
COUPLING**



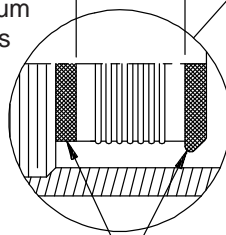
**STYLE 2
(STRAIGHT
See Note 1)**



**STYLE 2
(45° & 90°
See Note 1)**



Termination Area Free of Cadmium Knurl or Ridges Mfr's Option



See inside back cover fold-out or pages 13 and 14 for Tables I and II.

TABLE III: ELBOW DIMENSIONS											
Shell Size				E		F		G		H	
Conn. Desig.	A-F-L-S										
08	09	.639	(16.2)	1.380	(35.1)	.750	(19.1)	1.500	(38.1)		
10	11	.664	(16.9)	1.410	(35.8)	.810	(20.6)	1.550	(39.4)		
12	13	.688	(17.5)	1.430	(36.3)	.870	(22.1)	1.610	(40.9)		
14	15	.705	(17.9)	1.460	(37.1)	.920	(23.4)	1.680	(42.7)		
16	17	.732	(18.6)	1.480	(37.6)	.980	(24.9)	1.740	(44.2)		
18	19	.748	(19.0)	1.490	(37.8)	1.020	(25.9)	1.760	(44.7)		
20	21	.773	(19.6)	1.510	(38.4)	1.080	(27.4)	1.820	(46.2)		
22	23	.800	(20.3)	1.550	(39.4)	1.140	(29.0)	1.900	(48.3)		
24	25	.823	(20.9)	1.580	(40.1)	1.200	(30.5)	1.970	(50.0)		

TABLE IV: CABLE ENTRY							
Dash No.	K		L		Cable Range		
	±.030	±(.8)			Min	Max	Max
10	.220	(5.6)	1.000	(25.4)	.130	(3.3)	.250 (6.4)
12	.310	(7.9)	1.250	(31.8)	.250	(6.4)	.380 (9.7)
14	.440	(11.2)	1.340	(34.0)	.310	(7.9)	.440 (11.2)
16	.560	(14.2)	1.470	(37.3)	.375	(9.5)	.630 (16.0)
18	.630	(16.0)	1.560	(39.6)	.560	(14.2)	.690 (17.5)
20	.750	(19.1)	1.620	(41.1)	.630	(16.0)	.750 (19.1)
22	.880	(22.4)	1.750	(44.5)	.750	(19.1)	.880 (22.4)
24	1.000	(25.4)	1.870	(47.5)	.880	(22.4)	1.000 (25.4)
28	1.060	(26.9)	1.970	(50.0)	1.000	(25.4)	1.130 (28.7)
32	1.190	(30.2)	2.090	(53.1)	1.130	(28.7)	1.250 (31.8)

1. When maximum cable entry (page 21) is exceeded, Style 2 will be supplied. Dimensions E, F, G, and H will not apply. Please consult factory.
2. Metric dimensions (mm) are indicated in parentheses.
3. Consult factory for shorter lengths on straight backshells.
4. Backshells supplied with 600-052-* band, see Glenair Series 600 Tool Catalog for installation.

-445

Now Available with the "NESTOR"

Add "-445" to Specify Glenair's Non-Detent, Spring-Loaded, Self-Locking Coupling. See Page 41 for Details.

X-ON Electronics

Largest Supplier of Electrical and Electronic Components

Click to view similar products for [D-Sub Backshells](#) category:

Click to view products by [Glenair](#) manufacturer:

Other Similar products are found below :

[173114-0084](#) [173112-1658](#) [600X51137X](#) [600X54009X](#) [66241-12A](#) [M85049/48-1-2](#) [M85049/48-3-5F](#) [M85049/6-38N](#) [M85049/86-12N03](#)
[70.350.2435.1](#) [72.350.1035.2](#) [72.352.2435.1](#) [73.359.4035.3](#) [799-015TMH07M](#) [799-015TMH08N](#) [FKH1RE](#) [829472-1](#) [F-PHG-3E](#) [F-PHG-4E](#)
[F-PHR-4E](#) [PCS-E20W](#) [8655MHRA0901KLF](#) [8655MHRA2501KLF](#) [958-009-010R011](#) [970-015-040R011](#) [970-025-040R011](#) [971-009-](#)
[030R121](#) [971-009-040R011](#) [971-015-040R011](#) [971-025-040R011](#) [GS85049/38-25M](#) [975T009-020R121](#) [975T015-020R121](#) [1-21986-2](#) [1-](#)
[21986-5](#) [DB-20962](#) [DB-C4-J11](#) [DE-C8-J9-F4-1R](#) [DE-C8-J9-F5-1R](#) [DPH-B-003](#) [1437013-9](#) [1484402-8](#) [MS3057-10A](#) [156-3025-EX](#)
[MS3417-16C](#) [16-500800](#) [165X02659X](#) [165X03399A](#) [165X10139X](#) [165X10259X](#)