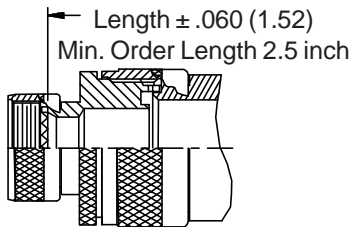
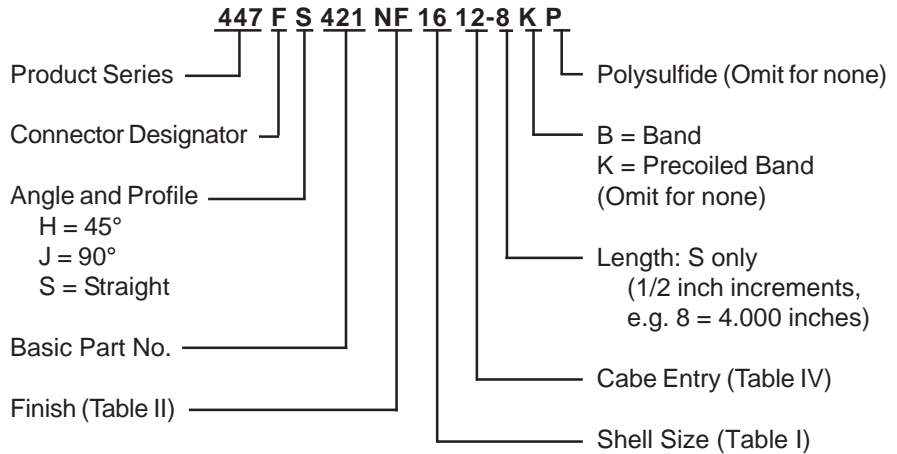
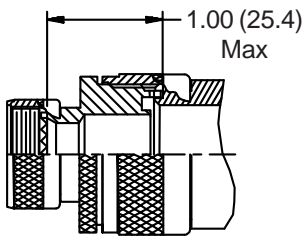
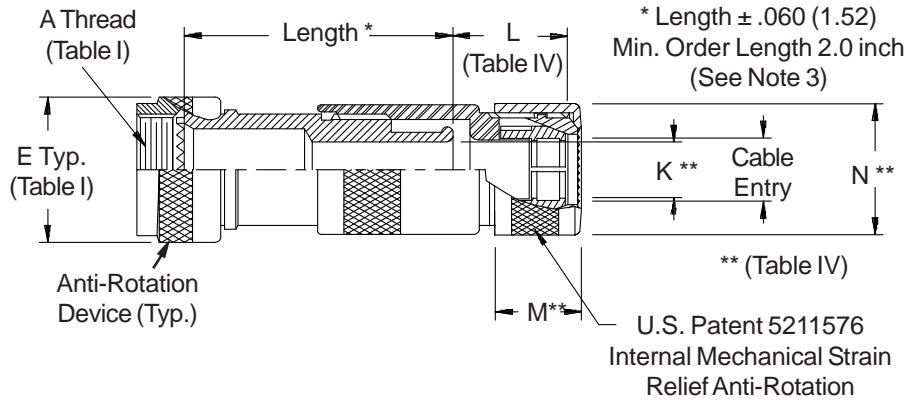


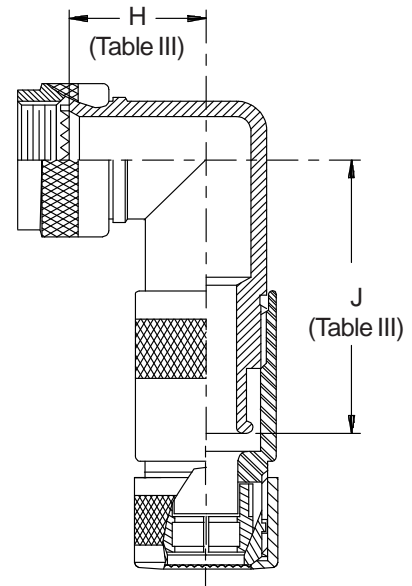
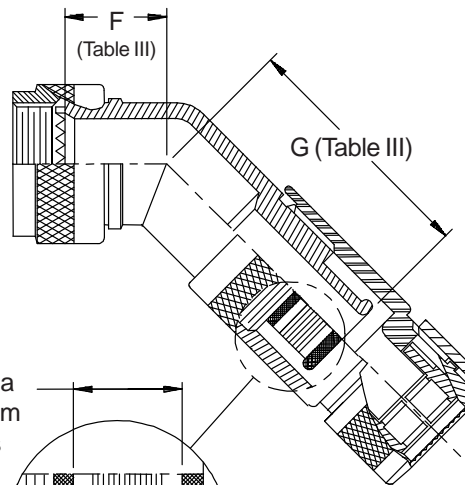
**CONNECTOR
 DESIGNATORS
 A-F-H-L-S
 SELF-LOCKING
 ROTATABLE
 COUPLING**



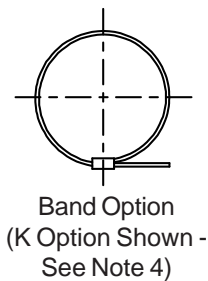
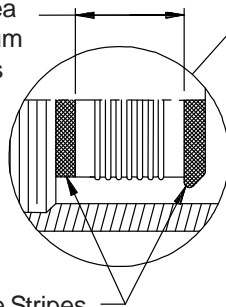
**STYLE 2
 (STRAIGHT
 See Note 1)**



**STYLE 2
 (45° & 90°
 See Note 1)**



Termination Area
 Free of Cadmium
 Knurl or Ridges
 Mfr's Option



See inside back cover fold-out or pages 13 and 14 for
Tables I and II.

TABLE III: ELBOW DIMENSIONS

Shell Size		F		G		H		J	
Conn. Desig.	H	Max		Max		Max		Max	
A-F-L-S									
08	09	.795	(20.2)	1.380	(35.1)	.906	(23.0)	1.500	(38.1)
10	11	.820	(20.8)	1.410	(35.8)	.966	(24.5)	1.550	(39.4)
12	13	.844	(21.4)	1.430	(36.3)	1.026	(26.1)	1.610	(40.9)
14	15	.861	(21.9)	1.460	(37.1)	1.076	(27.3)	1.680	(42.7)
16	17	.888	(22.6)	1.480	(37.6)	1.136	(28.9)	1.740	(44.2)
18	19	.904	(23.0)	1.490	(37.8)	1.176	(29.9)	1.760	(44.7)
20	21	.929	(23.6)	1.510	(38.4)	1.236	(31.4)	1.820	(46.2)
22	23	.956	(24.3)	1.550	(39.4)	1.296	(32.9)	1.900	(48.3)
24	25	.979	(24.9)	1.580	(40.1)	1.356	(34.4)	1.970	(50.0)

TABLE IV: CABLE RANGE

Dash No.	Clamp Size (Ref)	K Dia	L Max	M Max	N Max	Cable Range	
						Min	Max
02	08	.125 (3.2)	.970 (24.6)	.530 (13.5)	.720 (18.3)	.100 (2.5)	.250 (6.4)
03	08	.188 (4.8)	.970 (24.6)	.530 (13.5)	.720 (18.3)	.098 (2.5)	.200 (5.1)
04	08	.250 (6.4)	.970 (24.6)	.530 (13.5)	.720 (18.3)	.098 (2.5)	.250 (6.4)
05	12	.312 (7.9)	1.110 (28.2)	.710 (18.0)	.910 (23.1)	.203 (5.2)	.375 (9.5)
06	12	.375 (9.5)	1.110 (28.2)	.710 (18.0)	.910 (23.1)	.203 (5.2)	.375 (9.5)
07	16	.438 (11.1)	1.210 (30.7)	.720 (18.3)	1.090 (27.7)	.328 (8.3)	.500 (12.7)
08	16	.500 (12.7)	1.210 (30.7)	.720 (18.3)	1.090 (27.7)	.328 (8.3)	.500 (12.7)
09	20	.562 (14.3)	1.210 (30.7)	.720 (18.3)	1.220 (31.0)	.452 (11.5)	.625 (15.9)
10	20	.625 (15.9)	1.210 (30.7)	.720 (18.3)	1.220 (31.0)	.452 (11.5)	.625 (15.9)
11	24	.688 (17.5)	1.210 (30.7)	.660 (16.8)	1.340 (34.0)	.515 (13.1)	.750 (19.1)
12	24	.750 (19.1)	1.360 (34.5)	.660 (16.8)	1.340 (34.0)	.515 (13.1)	.750 (19.1)
13	28	.812 (20.6)	1.360 (34.5)	.790 (20.1)	1.530 (38.9)	.640 (16.3)	.875 (22.2)
14	28	.875 (22.2)	1.510 (38.4)	.790 (20.1)	1.530 (38.9)	.640 (16.3)	.875 (22.2)
15	32	.938 (23.8)	1.510 (38.4)	.870 (22.1)	1.720 (43.7)	.765 (19.4)	1.000 (25.4)
16	32	1.000 (25.4)	1.510 (38.4)	.870 (22.1)	1.720 (43.7)	.765 (19.4)	1.000 (25.4)
17	36	1.062 (27.0)	1.510 (38.4)	.830 (21.1)	1.850 (47.0)	.859 (21.8)	1.125 (28.6)
18	36	1.125 (28.6)	1.510 (38.4)	.830 (21.1)	1.850 (47.0)	.859 (21.8)	1.125 (28.6)
20	40	1.250 (31.8)	1.510 (38.4)	.820 (20.8)	1.970 (50.0)	.984 (25.0)	1.250 (31.8)
22	44	1.375 (34.9)	1.510 (38.4)	.910 (23.1)	2.090 (53.1)	1.125 (28.6)	1.375 (34.9)
24	48	1.500 (38.1)	1.510 (38.4)	.900 (22.9)	2.280 (57.9)	1.250 (31.8)	1.500 (38.1)

1. When maximum cable entry (page 21) is exceeded, Style 2 will be supplied. Dimensions F, G, H and J will not apply. Please consult factory.
2. Metric dimensions (mm) are indicated in parentheses.
3. Consult factory for shorter lengths on straight backshells.
4. Backshells supplied with 600-052-* band, see Glenair Series 600 Tool Catalog for installation.

X-ON Electronics

Largest Supplier of Electrical and Electronic Components

Click to view similar products for [Circular MIL Spec Backshells](#) category:

Click to view products by [Glenair](#) manufacturer:

Other Similar products are found below :

[5M2919-3DW](#) [5M2920-3CW](#) [5M2953-1HW](#) [60-036152-022](#) [610HS012M15](#) [M28840/504WA](#) [M28840/805WB](#) [M28840/809WA](#)
[M28840/815WA](#) [M28840/816WA](#) [627AS017M14](#) [62GB5851608S](#) [655HS002NF11](#) [CW3703-000](#) [CW3899-000](#) [M85049/10-134S](#)
[M85049/10-17S](#) [M85049/10-33S](#) [M85049/10-94W](#) [M85049/11-09W](#) [M85049/11-28N](#) [M85049/11-37N](#) [M85049/11-53N](#) [M85049/11-63N](#)
[M85049/118-20W](#) [M85049/124-23W](#) [M85049/124S09W](#) [M85049/126S23W](#) [M850491712W02](#) [M85049/1720N04B](#) [M85049/1817N06](#)
[M850491819W03](#) [M85049/1821W05C](#) [M85049/1825W06C](#) [M85049/1919N05](#) [M85049/1919W04](#) [M850491919W07](#) [M85049/23-59W](#)
[M85049/23-74W](#) [M8504924-5W](#) [M85049/24-71N](#) [M85049/25-47N](#) [M85049/25-94W](#) [M85049/27S12N](#) [M8504938-13S](#) [M85049/38-19S](#)
[M85049/39-11S](#) [M85049/39-17S](#) [M85049/39-9S](#) [M85049/3W4A2](#)