



447-325 Composite Standard Profile EMI/RFI Banding Backshell with Shrink Boot Porch and Self-Locking Rotatable Coupling

CONNECTOR DESIGNATOR:	
A	MIL-DTL-5015, -26482 Series II, and -83723 Series I and III
F	MIL-DTL-38999 Series I, II
L	MIL-DTL-38999 Series 1.5 (JN1003)
H	MIL-DTL-38999 Series III and IV
G	MIL-DTL-28840
U	DG123 and DG123A
SELF-LOCKING	
ROTATABLE COUPLING	
STANDARD PROFILE	

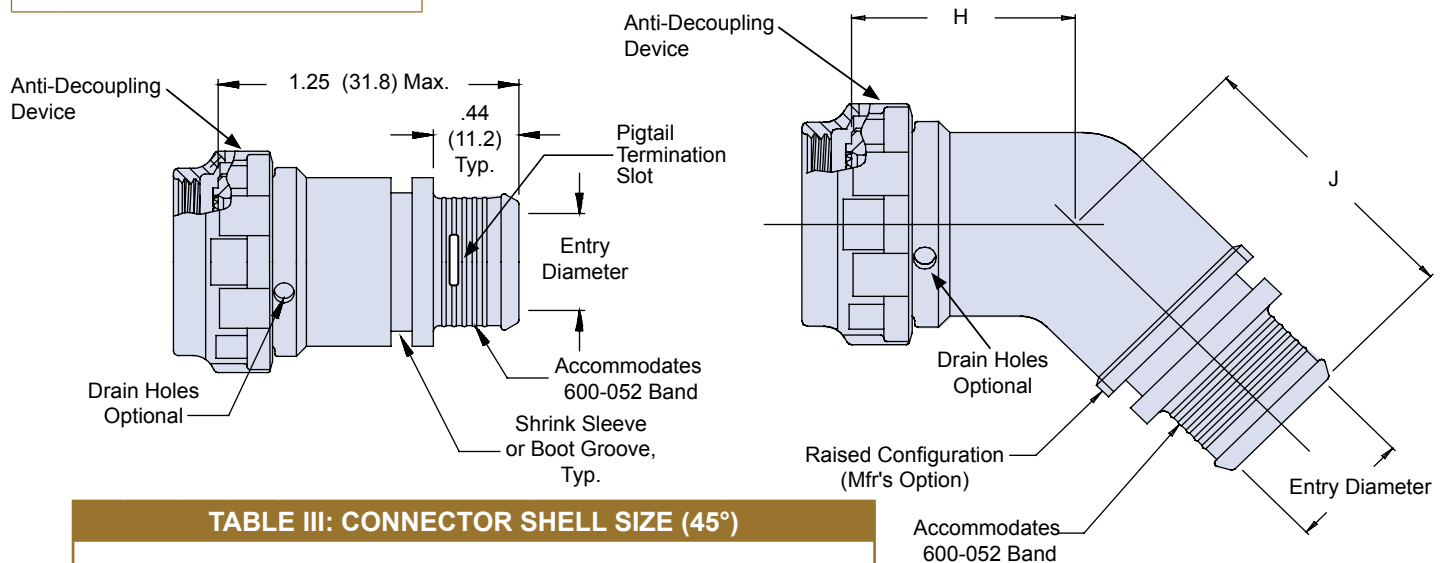
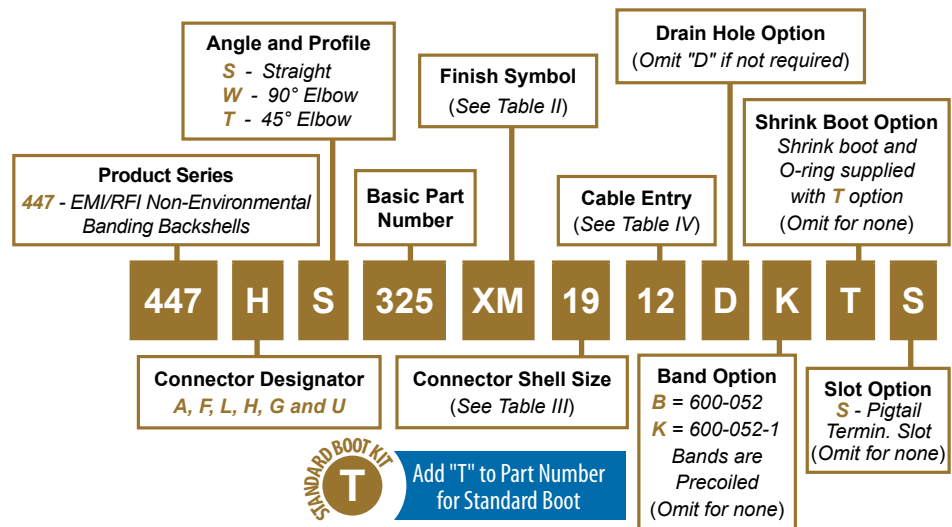


TABLE III: CONNECTOR SHELL SIZE (45°)

Shell Size For Connector Designator*					H	J	Max Entry Dash No. (Table IV)**
A	F/L	H	G	U	± .06 (1.5)	± .09 (2.3)	
08	08	09	-	-	.72 (18.3)	1.00 (25.4)	04
10	10	11	-	08	.75 (19.1)	1.06 (26.9)	06
12	12	13	11	10	.75 (19.1)	1.13 (28.7)	08
14	14	15	13	12	.76 (19.3)	1.16 (29.5)	10
16	16	17	15	14	.78 (19.8)	1.18 (30.0)	12
18	18	19	17	16	.79 (20.1)	1.19 (30.2)	13
20	20	21	19	18	.82 (20.8)	1.22 (31.0)	15
22	22	23	-	20	.86 (21.8)	1.26 (32.0)	17
24	24	25	23	22	.89 (22.6)	1.29 (32.8)	19
28	-	-	25	24	.92 (23.4)	1.32 (33.5)	22

**Consult factory for additional entry sizes available.

*See Page Table I on H-26 for additional connector front-end details.

NOTES

- 770-001S**-0 shrink boot supplied with T option. See shrink boot product pages for more details.
- O-Ring will not be supplied with Connector Designator A.
- Coupling nut supplied unplated.
- Consult factory for O-Ring to be supplied with part less shrink boot.
- Metric dimensions (mm) are in parenthesis and are for reference only.
- See Table I on Page H-26 for front-end dimensional details.

Dimensions in inches (millimeters) and are subject to change without notice.

**Composite Standard Profile EMI/RFI
Banding Backshell with Shrink Boot Porch
and Self-Locking Rotatable Coupling**

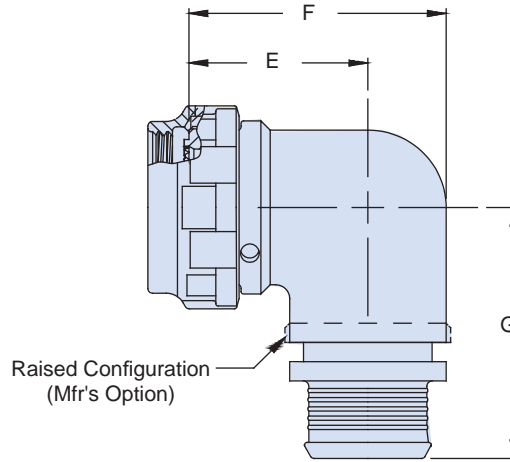


TABLE IV: CABLE ENTRY

Entry Code	Entry Dia. ± .03 (.08)	Dash No.	Entry Dia. ± .03 (.08)	Shrink Boot
03	.19 (6.4)	13	.81 (20.6)	770-003S102
04	.25 (7.9)	14	.88 (22.4)	770-003S103
05	.31 (11.2)	15	.94 (23.9)	770-003S104
06	.38 (14.2)	16	1.00 (25.4)	770-003S104
07	.44 (17.3)	17	1.06 (26.9)	770-003S104
08	.50 (20.6)	18	1.13 (28.7)	770-003S105
09	.56 (23.9)	19	1.19 (30.2)	770-003S105
10	.63 (25.4)	20	1.25 (31.8)	770-003S105
11	.69 (29.5)	22	1.38 (35.1)	770-003S106
12	.75 (19.1)			770-003S106

TABLE II: FINISH

Symbol	Finish Description
XM	2000 Hour Corrosion Resistant Electroless Nickel
XMT	2000 Hour Corrosion Resistant Ni-PTFE, Nickel-Fluorocarbon Polymer. 1000 Hour Grey™
XW	2000 Hour Corrosion Resistant Cadmium/Olive Drab over Electroless Nickel

TABLE III: CONNECTOR SHELL SIZE (90°)

Shell Size For Connector Designator*					E	F	G	Max Entry Dash No. (Table IV)**
A	F/L	H	G	U	± .06 (1.5)	± .09 (2.3)	± .09 (2.3)	
08	08	09	-	-	.69 (17.5)	.88 (22.4)	1.19 (30.2)	04
10	10	11	-	08	.75 (19.1)	1.00 (25.4)	1.25 (31.8)	06
12	12	13	11	10	.81 (20.6)	1.13 (28.7)	1.31 (33.3)	08
14	14	15	13	12	.88 (22.4)	1.31 (33.3)	1.38 (35.1)	10
16	16	17	15	14	.94 (23.9)	1.38 (35.1)	1.44 (36.6)	12
18	18	19	17	16	.97 (24.6)	1.44 (36.6)	1.47 (37.3)	13
20	20	21	19	18	1.06 (26.9)	1.63 (41.4)	1.56 (39.6)	15
22	22	23	-	20	1.13 (28.7)	1.75 (44.5)	1.63 (41.4)	17
24	24	25	23	22	1.19 (30.2)	1.88 (47.8)	1.69 (42.9)	19
28	-	-	25	24	1.34 (34.0)	2.13 (54.1)	1.78 (17.5)	22

**Consult factory for additional entry sizes available.
*See Page Table I on H-26 for additional connector front-end details.

Dimensions in inches (millimeters) and are subject to change without notice.
CAGE Code 06324

X-ON Electronics

Largest Supplier of Electrical and Electronic Components

Click to view similar products for [Circular MIL Spec Backshells](#) category:

Click to view products by [Glenair](#) manufacturer:

Other Similar products are found below :

[60-036152-022](#) [610HS012M15](#) [M28840/504WA](#) [M28840/805WB](#) [M28840/809WA](#) [M28840/815WA](#) [M28840/816WA](#) [627AS017M14](#)
[627MA124M14S](#) [655HS002NF11](#) [CW3899-000](#) [M85049/10-134S](#) [M85049/10-17S](#) [M85049/10-33S](#) [M85049/10-94W](#) [M85049/11-28N](#)
[M85049/11-37N](#) [M85049/11-53N](#) [M85049/11-63N](#) [M85049/124-23W](#) [M85049/1720N04B](#) [M85049/1821W05C](#) [M85049/1825W06C](#)
[M85049/1919N05](#) [M85049/23-74W](#) [M85049/24-71N](#) [M85049/25-47N](#) [M85049/25-94W](#) [M85049/27S12N](#) [M85049/39-11S](#) [M85049/39-17S](#)
[M85049/39-9S](#) [M85049/6-10B](#) [M85049/6-19N](#) [M85049/6-20B](#) [M85049/77-20W04](#) [M85049/78-11N03](#) [M85049/78-15W02](#) [M85049/78-](#)
[17N04](#) [M85049/78-19N05](#) [M85049/79-19N07](#) [M85049/79-25N04](#) [M85049/82-18N02](#) [M85049/82-22P02](#) [M85049/83-10W03](#) [M85049/84-](#)
[20N03](#) [M85049/8-48N](#) [M85049/85-24N01](#) [M85049/85-24P01](#) [M85049/86-16P03](#)