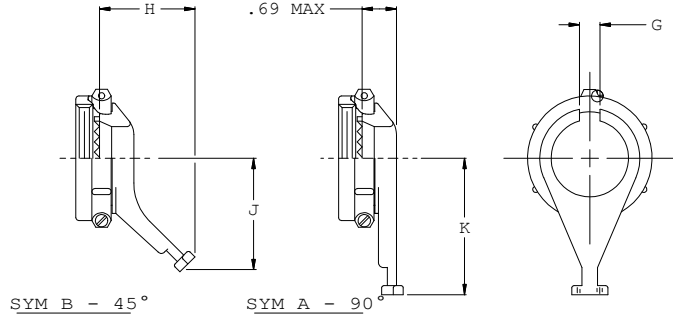
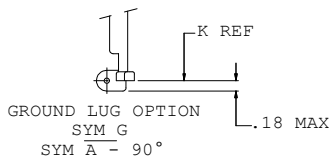
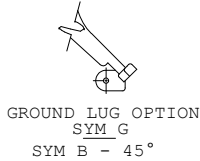
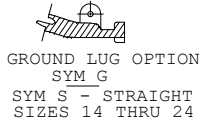
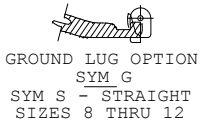
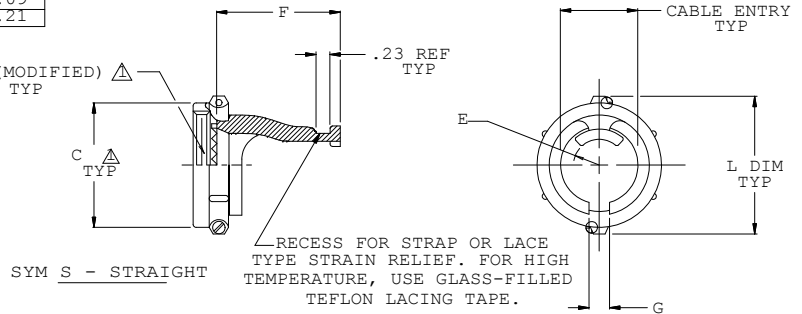
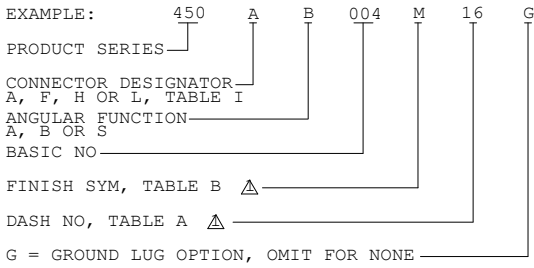


SHELL SIZE A, F, L	H	E RADIUS	F MAX	G REF	H MAX	J MAX	K MAX	L MAX	CABLE ENTRY MAX
08	09	.083	.86	.125	.78	.76	.90	.97	.25
10	11	.113	.86	.125	.78	.82	.95	1.09	.38
12	13	.150	.92	.188	.78	.88	1.09	1.22	.50
14	15	.188	1.10	.188	.94	1.12	1.34	1.34	.63
16	17	.223	1.10	.188	.94	1.18	1.39	1.47	.75
18	19	.281	1.16	.250	.97	1.27	1.48	1.53	.85
20	21	.281	1.29	.250	.97	1.31	1.66	1.66	.97
22	23	.308	1.41	.312	.97	1.37	1.85	1.78	1.09
24	25	.350	1.55	.312	.97	1.44	1.91	1.91	1.21

SYM.	DESCRIPTION	DATE	APPROVED
A	REV. PER DCN #12980	01/15/97	H.T

PART NUMBER DEVELOPMENT



NOTES:

- SEE SHEET 2 (COMMON ACCESSORY INTERFACE DATA), A THREAD DOES NOT MEET CLASS 2 REQUIREMENTS.
- GLENAIR 600 SERIES BACKSHELL ASSEMBLY TOOLS ARE RECOMMENDED FOR ASSEMBLY AND INSTALLATION.
- MATERIAL/FINISH:
COUPLING NUTS - QWIK-TY - AL ALLOY/SEE TABLE B
LOCKWASHERS, SCREWS - CRES/PASSIVATE
WASHERS - NYLON/N.A.

UNLESS OTHERWISE SPECIFIED	DRAWN	S.SMITH	1/6/85
DIMENSIONS ARE IN INCHES	CHECK	R.KEIM	1/6/85
TOLERANCES:	ENGR	P.OAKES	1/6/85
FRACTIONS ± 1/16	APPROVED		
DECIMALS ± .001, .015	RELEASE DATE	01/06/85	
ANGLES ± 2°	ORIGINAL RELEASE DATE		
DO NOT SCALE THIS DRAWING			
B/F 1099	P/C 450	NON REPARABLE COMMERCIAL ITEM	

GLENAIR, INC. CAD 1986®	
1211 AIR WAY - GLENDALE - CALIFORNIA 91201	
QWIK-TY®, STRAIN RELIEF, SPLIT	
CODE IDENT. NO.	SIZE
06324	C 450-004
SCALE	WEIGHT
N/A	N/A
SHEET	REV.
1 OF 1	A

X-ON Electronics

Largest Supplier of Electrical and Electronic Components

Click to view similar products for [Circular MIL Spec Backshells](#) category:

Click to view products by [Glenair](#) manufacturer:

Other Similar products are found below :

[60-036152-022](#) [610HS012M15](#) [M28840/504WA](#) [M28840/805WB](#) [M28840/809WA](#) [M28840/815WA](#) [M28840/816WA](#) [627AS017M14](#)
[627MA124M14S](#) [655HS002NF11](#) [CW3899-000](#) [M85049/10-134S](#) [M85049/10-17S](#) [M85049/10-33S](#) [M85049/10-94W](#) [M85049/11-28N](#)
[M85049/11-37N](#) [M85049/11-53N](#) [M85049/11-63N](#) [M85049/124-23W](#) [M85049/1720N04B](#) [M85049/1821W05C](#) [M85049/1825W06C](#)
[M85049/1919N05](#) [M85049/23-74W](#) [M85049/24-71N](#) [M85049/25-47N](#) [M85049/25-94W](#) [M85049/27S12N](#) [M85049/39-11S](#) [M85049/39-17S](#)
[M85049/39-9S](#) [M85049/6-10B](#) [M85049/6-19N](#) [M85049/6-20B](#) [M85049/77-20W04](#) [M85049/78-11N03](#) [M85049/78-15W02](#) [M85049/78-](#)
[17N04](#) [M85049/78-19N05](#) [M85049/79-19N07](#) [M85049/79-25N04](#) [M85049/82-18N02](#) [M85049/82-22P02](#) [M85049/83-10W03](#) [M85049/84-](#)
[20N03](#) [M85049/8-48N](#) [M85049/85-24N01](#) [M85049/85-24P01](#) [M85049/86-16P03](#)