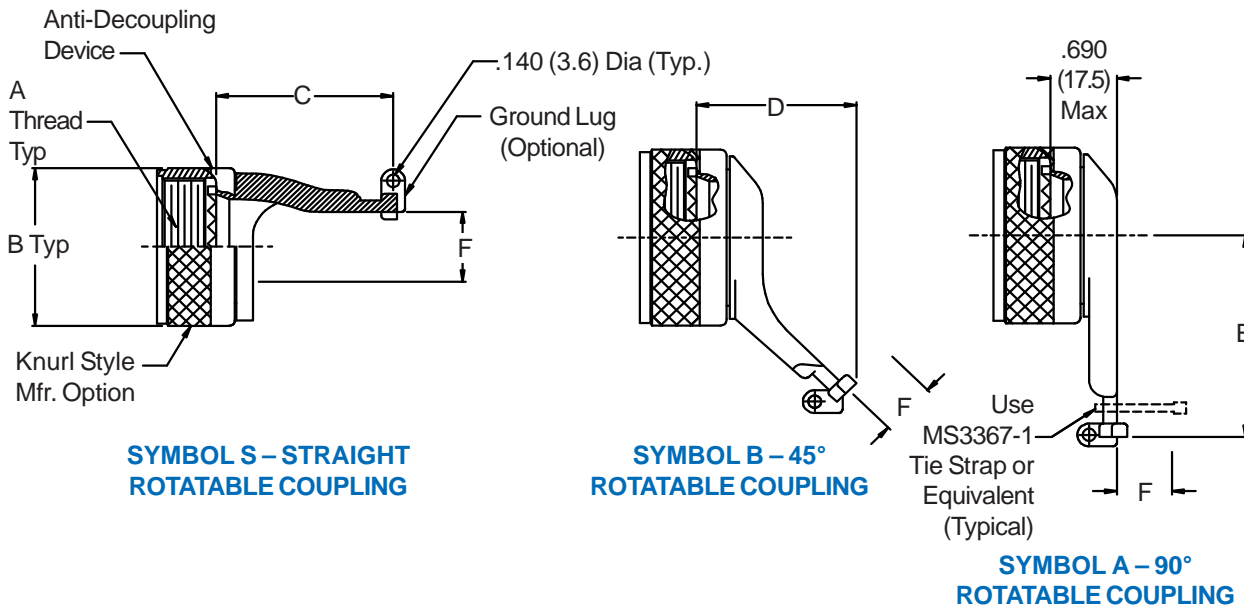
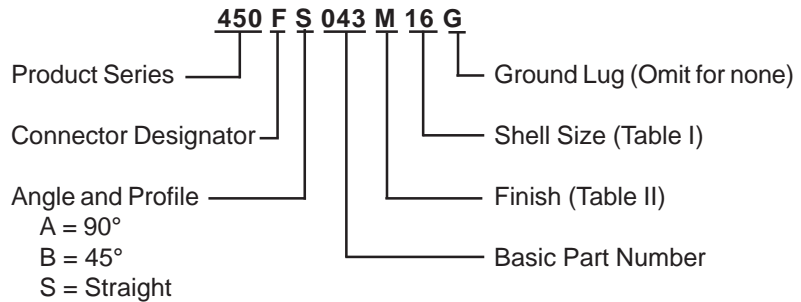


CONNECTOR DESIGNATOR F



See inside back cover fold-out or pages 13 and 14 for Tables I and II.

TABLE III: CONNECTOR SHELL SIZE AND DIMENSIONS

Dash No.	SHELL SIZE		A Thread Class 2B	B Max	C Max	D Max	E Max	F Cable Entry (See Note 1)
	MIL-DTL-38999 Series II	MIL-DTL-38999 Series I						
08	08	09	7/16 – 28 UNEF	.690 (17.5)	.950 (24.1)	1.190 (30.2)	.890 (22.6)	.250 (6.4)
10	10	11	9/16 – 24 UNEF	.820 (20.8)	1.000 (25.4)	1.190 (30.2)	.950 (24.1)	.382 (9.7)
12	12	13	11/16 – 24 UNEF	.940 (24.8)	1.020 (25.9)	1.190 (30.2)	1.010 (25.7)	.500 (12.7)
14	14	15	13/16 – 20 UNEF	1.060 (26.9)	1.190 (30.2)	1.320 (33.5)	1.330 (33.8)	.630 (16.0)
16	16	17	15/16 – 20 UNEF	1.170 (29.7)	1.190 (30.2)	1.320 (33.5)	1.390 (35.3)	.750 (19.1)
18	18	19	1 1/16 – 18 UNEF	1.290 (32.7)	1.300 (33.0)	1.320 (33.5)	1.460 (37.1)	.838 (21.3)
20	20	21	1 3/16 – 18 UNEF	1.420 (36.0)	1.430 (36.3)	1.320 (33.5)	1.510 (38.4)	.968 (24.6)
22	22	23	1 5/16 – 18 UNEF	1.540 (39.1)	1.520 (38.9)	1.320 (33.5)	1.570 (39.9)	1.090 (27.7)
24	24	25	1 7/16 – 18 UNEF	1.660 (42.2)	1.635 (41.5)	1.320 (33.5)	1.640 (41.7)	1.220 (31.0)

1. Cable Entry is defined as the accommodation entry for the wire bundle or cable. Dimensions are not intended for inspection criteria.
2. Metric dimensions (mm) are indicated in parentheses.

X-ON Electronics

Largest Supplier of Electrical and Electronic Components

Click to view similar products for [Circular MIL Spec Strain Reliefs & Adapters](#) category:

Click to view products by [Glenair](#) manufacturer:

Other Similar products are found below :

[896227-000](#) [899170S004](#) [0113-023-000](#) [6000-063-0022](#) [CS6624-000](#) [620AB038Z136](#) [620AS001Z108](#) [620AS038Z112](#) [620AS038Z120](#)
[620AS038Z132](#) [620FB038NF08](#) [620HA038NF09](#) [620HA038NF11](#) [620HA038NF13](#) [620HA038NF25](#) [620HB049NF17](#) [620HS038NF11](#)
[620HS038Z121](#) [620HS042XM19](#) [620HS042XM25](#) [620HS048B17](#) [620MS064NF12](#) [620MS065Z107](#) [620MS065ZNU06](#) [627-123NF21-11](#)
[627-125NF23-6](#) [630J041M06H](#) [630J041M20H](#) [637S010NF0212H](#) [637S010NF0416A](#) [640830-000](#) [659943-000](#) [66241-10A](#) [CW0597-000](#)
[CW0598-000](#) [CW0948-000](#) [CY0122-000](#) [M85049/41-6A W/B](#) [M85049/42-12DS](#) [M85049/47N8](#) [M85049/51-1-14S](#) [M85049/51S16S](#)
[M85049/60-1N16](#) [M85049/60-2G12W](#) [M85049/69-11N](#) [CZ3661-000](#) [D02922-000](#) [70.360.1628.0](#) [703797-000](#) [705825-000](#)