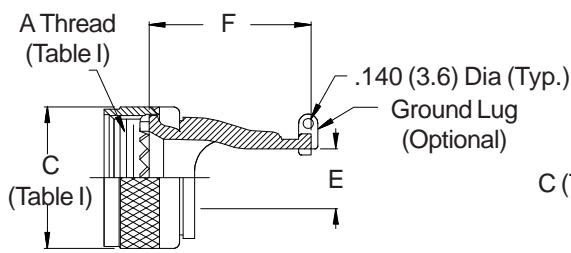
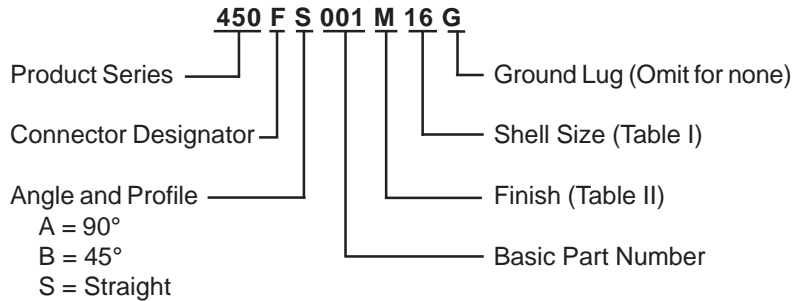


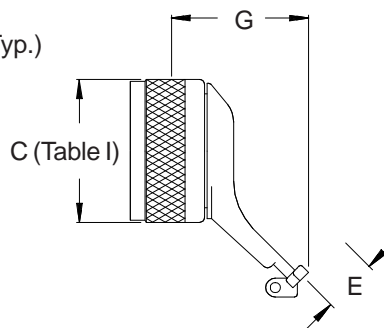
450-001
Qwik-Ty® Strain Relief - Connector Designator F
 Rotatable Coupling (Straight, 45° and 90° Elbows)



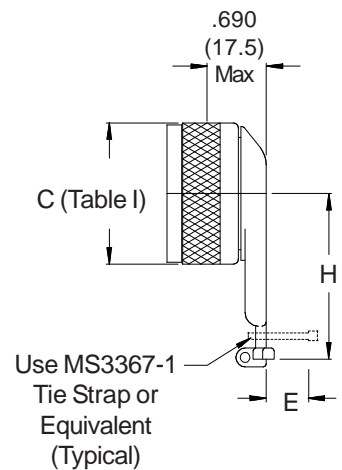
**CONNECTOR
 DESIGNATOR
 F**



**STRAIGHT
 ROTATABLE COUPLING**



**45°
 ROTATABLE COUPLING**



**90°
 ROTATABLE COUPLING**

See inside back cover fold-out or pages 13 and 14 for Tables I and II.

| TABLE III: DIMENSIONS | | | | |
|-----------------------|---------------|--------------|--------------|--------------|
| Shell Size | E Cable Entry | F Max | G Max | H Max |
| 08 | .264 (6.7) | .866 (22.0) | 1.066 (27.1) | .890 (22.6) |
| 10 | .392 (10.0) | .866 (22.0) | 1.066 (27.1) | .950 (24.1) |
| 12 | .506 (12.9) | .926 (23.5) | 1.066 (27.1) | 1.010 (25.7) |
| 14 | .631 (16.0) | 1.106 (28.1) | 1.188 (30.2) | 1.330 (33.8) |
| 16 | .756 (19.2) | 1.106 (28.1) | 1.226 (31.1) | 1.390 (35.3) |
| 18 | .845 (21.5) | 1.176 (29.9) | 1.226 (31.1) | 1.460 (37.1) |
| 20 | .970 (24.6) | 1.306 (33.2) | 1.226 (31.1) | 1.510 (38.4) |
| 22 | 1.095 (27.8) | 1.426 (36.2) | 1.226 (31.1) | 1.510 (38.4) |
| 24 | 1.220 (31.0) | 1.556 (39.5) | 1.226 (31.1) | 1.640 (41.7) |

1. Cable Entry is defined as the accommodation entry for the wire bundle or cable. Dimensions are not intended for inspection criteria.
2. Metric dimensions (mm) are indicated in parentheses.

X-ON Electronics

Largest Supplier of Electrical and Electronic Components

Click to view similar products for [Circular MIL Spec Backshells](#) category:

Click to view products by [Glenair](#) manufacturer:

Other Similar products are found below :

[60-036152-022](#) [610HS012M15](#) [M28840/504WA](#) [M28840/805WB](#) [M28840/809WA](#) [M28840/815WA](#) [M28840/816WA](#) [627AS017M14](#)
[627MA124M14S](#) [655HS002NF11](#) [CW3899-000](#) [M85049/10-134S](#) [M85049/10-17S](#) [M85049/10-33S](#) [M85049/10-94W](#) [M85049/11-28N](#)
[M85049/11-37N](#) [M85049/11-53N](#) [M85049/11-63N](#) [M85049/124-23W](#) [M85049/1720N04B](#) [M85049/1821W05C](#) [M85049/1825W06C](#)
[M85049/1919N05](#) [M85049/23-74W](#) [M85049/24-71N](#) [M85049/25-47N](#) [M85049/25-94W](#) [M85049/27S12N](#) [M85049/39-11S](#) [M85049/39-17S](#)
[M85049/39-9S](#) [M85049/6-10B](#) [M85049/6-19N](#) [M85049/6-20B](#) [M85049/77-20W04](#) [M85049/78-11N03](#) [M85049/78-15W02](#) [M85049/78-](#)
[17N04](#) [M85049/78-19N05](#) [M85049/79-19N07](#) [M85049/79-25N04](#) [M85049/82-18N02](#) [M85049/82-22P02](#) [M85049/83-10W03](#) [M85049/84-](#)
[20N03](#) [M85049/8-48N](#) [M85049/85-24N01](#) [M85049/85-24P01](#) [M85049/86-16P03](#)