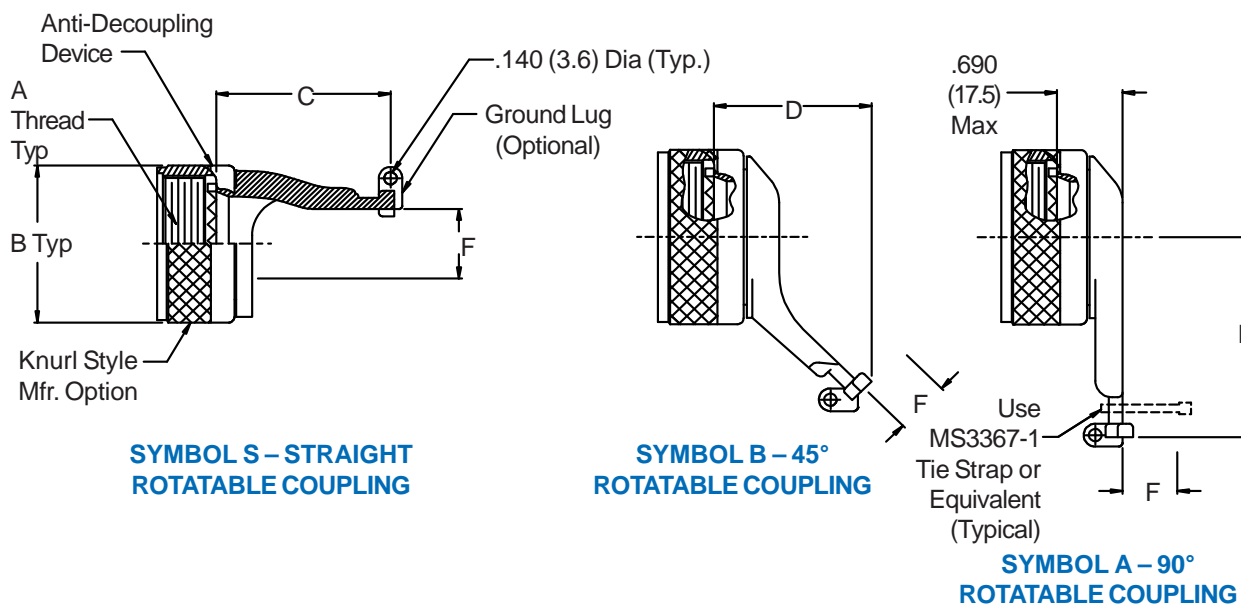
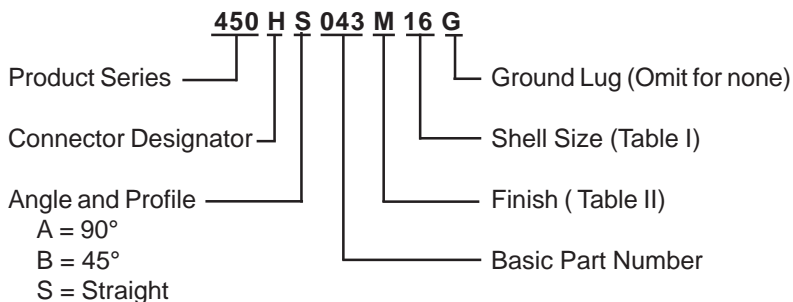


**450-043**  
**Qwik-Ty® Strain Relief - Connector Designator H**  
 Rotatable Coupling (Straight, 45° and 90° Elbows)  
 for MIL-DTL-38999 Series III& IV Connectors



**CONNECTOR DESIGNATOR**  
**H**



See inside back cover fold-out or pages 13 and 14 for Tables I and II.

**TABLE III: CONNECTOR SHELL SIZE AND DIMENSIONS**

Shell Size	A Thread I.S.O. Metric	B Max	C Max	D Max	E Max	F Cable Entry (See Note 1)
09	M12 X 1.90 – 6H	.940 (24.8)	.950 (24.1)	1.190 (30.2)	.890 (22.6)	.250 (6.4)
11	M15 X 1.90 – 6H	1.060 (26.9)	1.000 (25.4)	1.190 (30.2)	.950 (24.1)	.382 (9.7)
13	M18 X 1.90 – 6H	1.170 (29.7)	1.020 (25.9)	1.190 (30.2)	1.010 (25.7)	.500 (12.7)
15	M22 X 1.90 – 6H	1.290 (32.7)	1.190 (30.2)	1.320 (33.5)	1.330 (33.8)	.630 (16.0)
17	M25 X 1.90 – 6H	1.420 (36.0)	1.190 (30.2)	1.320 (33.5)	1.390 (35.3)	.750 (19.1)
19	M28 X 1.90 – 6H	1.540 (39.1)	1.300 (33.0)	1.320 (33.5)	1.460 (37.1)	.838 (21.3)
21	M31 X 1.90 – 6H	1.670 (42.4)	1.430 (36.3)	1.320 (33.5)	1.510 (38.4)	.968 (24.6)
23	M34 X 1.90 – 6H	2.010 (51.1)	1.520 (38.9)	1.320 (33.5)	1.570 (39.9)	1.090 (27.7)
25	M37 X 1.90 – 6H	2.120 (53.8)	1.635 (41.5)	1.320 (33.5)	1.640 (41.7)	1.220 (31.0)

1. Cable Entry is defined as the accommodation entry for the wire bundle or cable. Dimensions are not intended for inspection criteria.
2. Metric dimensions (mm) are indicated in parentheses.

## X-ON Electronics

Largest Supplier of Electrical and Electronic Components

*Click to view similar products for [Circular MIL Spec Strain Reliefs & Adapters](#) category:*

*Click to view products by [Glenair](#) manufacturer:*

Other Similar products are found below :

[896227-000](#) [899170S004](#) [0113-023-000](#) [6000-063-0022](#) [CS6624-000](#) [620AB038Z136](#) [620AS001Z108](#) [620AS038Z112](#) [620AS038Z120](#)  
[620AS038Z132](#) [620FB038NF08](#) [620HA038NF09](#) [620HA038NF11](#) [620HA038NF13](#) [620HA038NF25](#) [620HB049NF17](#) [620HS038NF11](#)  
[620HS038Z121](#) [620HS042XM19](#) [620HS042XM25](#) [620HS048B17](#) [620MS064NF12](#) [620MS065Z107](#) [620MS065ZNU06](#) [627-123NF21-11](#)  
[627-125NF23-6](#) [630J041M06H](#) [630J041M20H](#) [637S010NF0212H](#) [637S010NF0416A](#) [640830-000](#) [659943-000](#) [66241-10A](#) [CW0597-000](#)  
[CW0598-000](#) [CW0948-000](#) [CY0122-000](#) [M85049/41-6A W/B](#) [M85049/42-12DS](#) [M85049/47N8](#) [M85049/51-1-14S](#) [M85049/51S16S](#)  
[M85049/60-1N16](#) [M85049/60-2G12W](#) [M85049/69-11N](#) [CZ3661-000](#) [D02922-000](#) [70.360.1628.0](#) [703797-000](#) [705825-000](#)