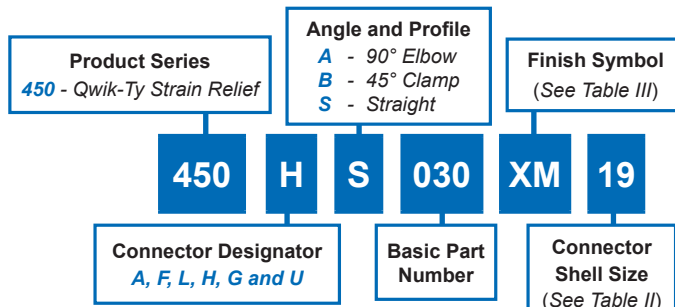


# 450-030 Composite Qwik-Ty® Strain-Relief with Self-Locking Rotatable Coupling and Ground Lug Straight, 45° and 90°



Composite Backshells

CONNECTOR DESIGNATOR:	
<b>A</b>	MIL-DTL-5015, -26482 Series II, and -83723 Series I and III
<b>F</b>	MIL-DTL-38999 Series I, II
<b>L</b>	MIL-DTL-38999 Series 1.5 (JN1003)
<b>H</b>	MIL-DTL-38999 Series III and IV
<b>G</b>	MIL-DTL-28840
<b>U</b>	DG123 and DG123A
<b>SELF-LOCKING</b>	
<b>ROTATABLE COUPLING</b>	
<b>LOW PROFILE</b>	



A

TABLE III: FINISH	
Symbol	Finish Description
XM	2000 Hour Corrosion Resistant Electroless Nickel
XMT	2000 Hour Corrosion Resistant Ni-PTFE, Nickel-Fluorocarbon Polymer. 1000 Hour Grey™
XW	2000 Hour Corrosion Resistant Cadmium/Olive Drab over Electroless Nickel
XB	No Plating - Black Material
XO	No Plating - Brown Material

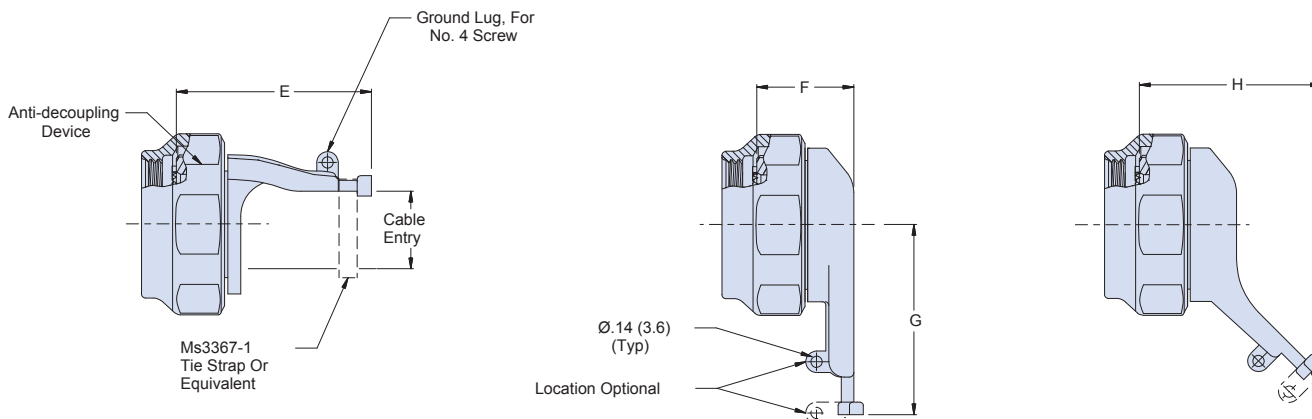


TABLE II: CONNECTOR SHELL SIZE ORDER NUMBER																
Shell Size For Connector Designator*					E Code A,F,H		E Code G,U		F	G	H	Cable Entry				
A	F/L	H	G	U	Max	Max	Max	Max	Max	Max	Max	Max	Max	Max	Max	
08	08	09	-	-	1.14	(29.0)	-	.75	(19.0)	1.22	(31.0)	1.14	(29.0)	.25	(6.4)	
10	10	11	-	08	1.14	(29.0)	1.30	(33.0)	.75	(19.0)	1.29	(32.8)	1.14	(29.0)	.38	(9.7)
12	12	13	11	10	1.20	(30.5)	1.36	(34.5)	.75	(19.0)	1.62	(41.1)	1.14	(29.0)	.50	(12.7)
14	14	15	13	12	1.38	(35.1)	1.54	(39.1)	.75	(19.0)	1.66	(42.2)	1.64	(41.7)	.63	(16.0)
16	16	17	15	14	1.38	(35.1)	1.54	(39.1)	.75	(19.0)	1.72	(43.7)	1.64	(41.7)	.75	(19.1)
18	18	19	17	16	1.44	(36.6)	1.69	(42.9)	.75	(19.0)	1.72	(43.7)	1.74	(44.2)	.81	(21.8)
20	20	21	19	18	1.57	(39.9)	1.73	(43.9)	.75	(19.0)	1.79	(45.5)	1.74	(44.2)	.94	(23.9)
22	22	23	-	20	1.69	(42.9)	1.91	(48.5)	.75	(19.0)	1.85	(47.0)	1.74	(44.2)	1.06	(26.9)
24	24	25	23	22	1.83	(46.5)	1.99	(50.5)	.75	(19.0)	1.91	(48.5)	1.95	(49.5)	1.19	(30.2)
28	-	-	25	24	1.99	(50.5)	2.15	(54.6)	.75	(19.0)	2.07	(52.6)	n/a		1.38	(35.1)

## X-ON Electronics

Largest Supplier of Electrical and Electronic Components

*Click to view similar products for [Circular MIL Spec Backshells](#) category:*

*Click to view products by [Glenair](#) manufacturer:*

Other Similar products are found below :

[60-036152-022](#) [610HS012M15](#) [M28840/504WA](#) [M28840/805WB](#) [M28840/809WA](#) [M28840/815WA](#) [M28840/816WA](#) [627AS017M14](#)  
[627MA124M14S](#) [655HS002NF11](#) [CW3899-000](#) [M85049/10-134S](#) [M85049/10-17S](#) [M85049/10-33S](#) [M85049/10-94W](#) [M85049/11-28N](#)  
[M85049/11-37N](#) [M85049/11-53N](#) [M85049/11-63N](#) [M85049/124-23W](#) [M85049/1720N04B](#) [M85049/1821W05C](#) [M85049/1825W06C](#)  
[M85049/1919N05](#) [M85049/23-74W](#) [M85049/24-71N](#) [M85049/25-47N](#) [M85049/25-94W](#) [M85049/27S12N](#) [M85049/39-11S](#) [M85049/39-17S](#)  
[M85049/39-9S](#) [M85049/6-10B](#) [M85049/6-19N](#) [M85049/6-20B](#) [M85049/77-20W04](#) [M85049/78-11N03](#) [M85049/78-15W02](#) [M85049/78-](#)  
[17N04](#) [M85049/78-19N05](#) [M85049/79-19N07](#) [M85049/79-25N04](#) [M85049/82-18N02](#) [M85049/82-22P02](#) [M85049/83-10W03](#) [M85049/84-](#)  
[20N03](#) [M85049/8-48N](#) [M85049/85-24N01](#) [M85049/85-24P01](#) [M85049/86-16P03](#)