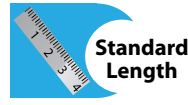
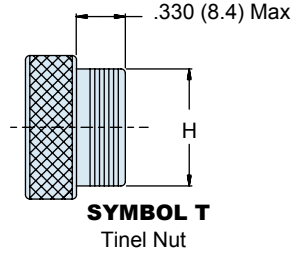
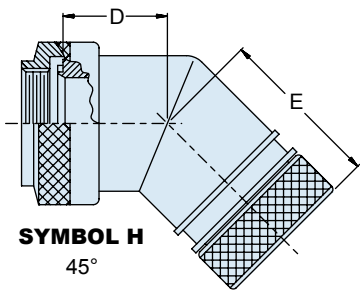
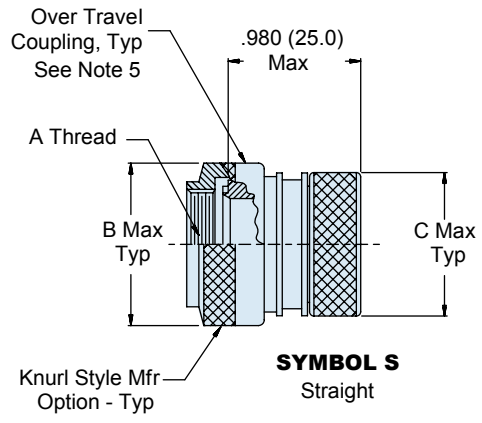
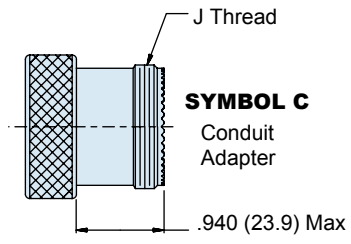
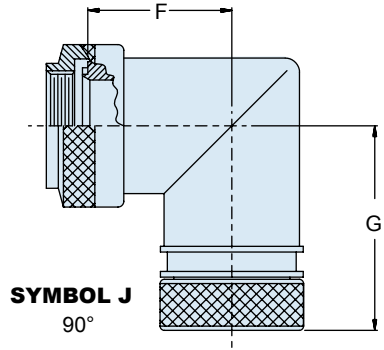
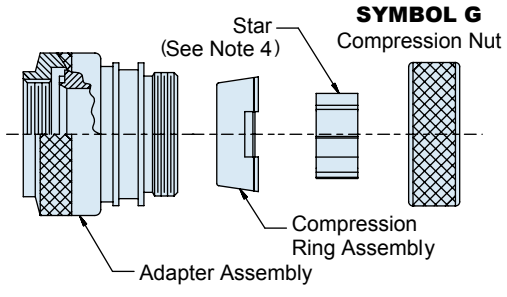
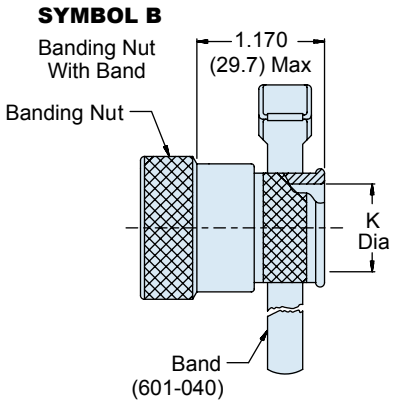
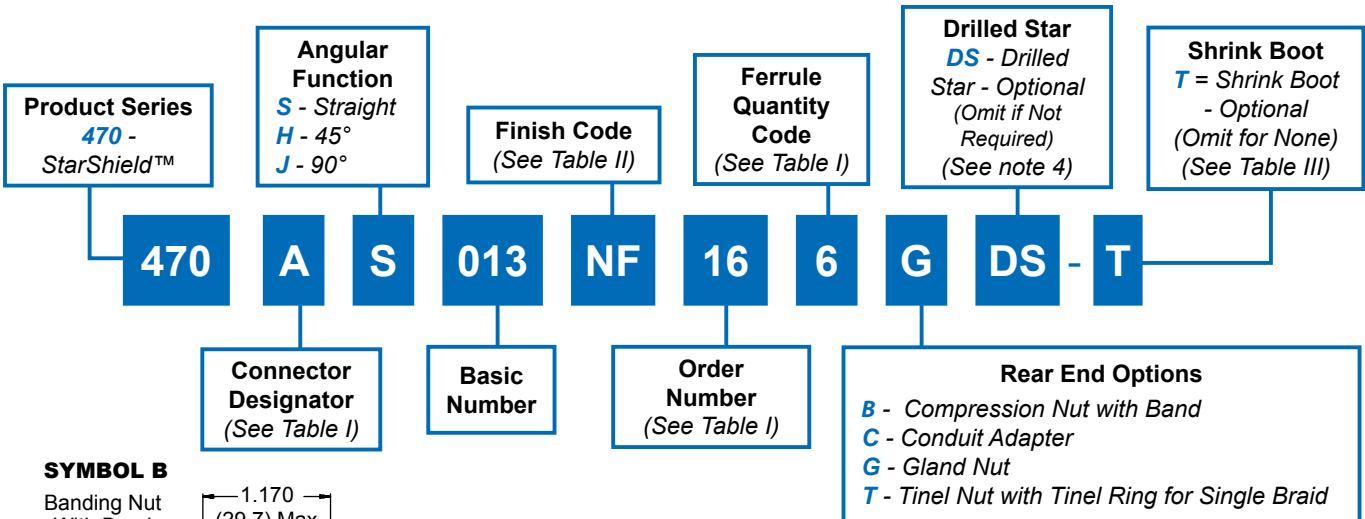




470-013
StarShield™ EMI/RFI Shield Termination Backshell
for MIL-DTL-83723 Series I & III, 5015 MS400 Series, AS81703
Series 3, and MIL-C- 26482 Series 2



StarShield™ environmental backshell with self-nestor coupling and rear end options



Dimensions in inches (millimeters) and are subject to change without notice.

470-013
StarShield™ EMI/RFI Shield Termination Backshell
 for MIL-DTL-83723 Series I & III, 5015 MS400 Series, AS81703
 Series 3, and MIL-C- 26482 Series 2



Table I: Dimensions

Order No.	Connector Shell Size				A Thread Class 2 B	B Dia Max	C Dia Max	D Max
	MIL-DTL-83723 Series I & III	MIL-DTL-5015 MS400 Series	AS81703 Series III	MIL-C-26482 Series II				
08	8	8S	-	8	1/2-20 UNF	.630 (16.0)	.690 (17.5)	.490 (12.5)
10	10	10S, 10SL	-	10	5/8-24 UNEF	.870 (22.0)	.850 (21.5)	.510 (13.0)
12	12	12, 12S	7	12	3/4-20 UNEF	1.000 (25.4)	.890 (22.5)	.550 (14.0)
14	14	14, 14S	12	14	7/8-20 UNEF	1.180 (30.0)	1.000 (25.4)	.570 (14.5)
16	16	16, 16S	19	16	1-20 UNEF	1.300 (33.0)	1.120 (28.5)	.590 (15.0)
18	18	18	27	18	1 1/16-18 UNEF	1.460 (37.0)	1.240 (31.5)	.610 (15.5)
20	20	20	37	20	1 3/16-18 UNEF	1.500 (38.0)	1.380 (35.0)	.650 (16.5)
22	22	22	-	22	1 5/16-18 UNEF	1.610 (41.0)	1.500 (38.0)	.670 (17.0)
24	24	24	-	24	1 7/16-18 UNEF	1.810 (46.0)	1.610 (41.0)	.710 (18.0)

Table I: Dimensions (continued)

Order No.	E Max	F Max	G Max	H ± .003 (.08)	J Thread Class 2 A	K ± .004 (.10)	Ferrule Quantity (See Note 4)	
							Std.	Opt.
08	1.000 (25.4)	.630 (16.0)	1.140 (29.0)	.435 (11.0)	1/2-20 UNF	.315 (8.00)	1	-
10	1.020 (26.0)	.690 (17.5)	1.200 (30.5)	.623 (15.8)	5/8-24 UNEF	.531 (13.5)	2	-
12	1.040 (26.5)	.750 (19.0)	1.260 (32.0)	.746 (18.9)	3/4-20 UNEF	.591 (15.0)	3	-
14	1.080 (27.5)	.810 (20.5)	1.320 (33.5)	.871 (22.1)	7/8-20 UNEF	.709 (18.0)	5	-
16	1.100 (28.0)	.870 (22.0)	1.380 (35.0)	.996 (25.3)	1-20 UNEF	.827 (21.0)	6	7
18	1.120 (28.5)	.930 (23.5)	1.440 (36.5)	1.121 (28.5)	1 1/16-18 UNEF	.945 (24.0)	7	-
20	1.140 (29.0)	1.000 (25.4)	1.520 (38.5)	1.245 (31.6)	1 3/16-18 UNEF	1.063 (27.0)	9	11
22	1.180 (30.0)	1.060 (27.0)	1.570 (40.0)	1.371 (34.8)	1 5/16-18 UNEF	1.181 (30.0)	10	13
24	1.220 (31.0)	1.120 (28.5)	1.630 (41.5)	1.371 (34.8)	1 7/16-18 UNEF	1.299 (33.0)	12	17

Table II: Material and Finish Options

Code	Material; Finish Description
M	Aluminum; electroless nickel
MT	Aluminum; nickel - PTFE
NF	Aluminum; CAD/O. D. over electroless nickel
ZN	Aluminum; zinc nickel/O. D. over electroless nickel
ZR	Aluminum; zinc nickel/black over electroless nickel (RoHS)
Z1	Stainless steel; passivate
ZM	Stainless steel; electroless nickel

Table III: Shrink Boot

Shell Size	Shrink Boot Part Number
08	770-001S1 04
10	770-001S1 06
12	770-001S1 06
14	770-001S1 07
16	770-001S1 07
18	770-001S1 08
20	770-001S1 08
22	770-001S1 08
24	770-001S1 09

Notes:

1. Assembly identified with manufacturer's name, part number and date code, space permitting.
2. For effective grounding, connector with conductive finish should be used.
3. Glenair 600 Series Backshell Assembly Tools are recommended for assembly and installation.
4. Star not supplied with Order Number 09. Drilled star is available on order numbers 15-25 only. If optional ferrule quantity per Table I is selected, one split and one solid star will be supplied.
5. Over-travel coupling design provides self-seating and self-locking functionality, eliminating lock-wire requirements.
6. Ferrule kit sold separately.
 687-764 ferrule and HST device kit
 687-809 ferrule and sealing device kit
 687-748 solder ferrule
 687-841-01 HST flex device

Material/Finish:

Backshell, elbows, coupling and gland nut, compression ring and star	Aluminum alloy or CRES/Table III
Tinel ring	Nickel-titanium alloy/n.a.
Band	CRES/passivate

Dimensions in inches (millimeters) and are subject to change without notice.

X-ON Electronics

Largest Supplier of Electrical and Electronic Components

Click to view similar products for [Circular MIL Spec Backshells](#) category:

Click to view products by [Glenair](#) manufacturer:

Other Similar products are found below :

[60-036152-022](#) [610HS012M15](#) [M28840/504WA](#) [M28840/805WB](#) [M28840/809WA](#) [M28840/815WA](#) [M28840/816WA](#) [627AS017M14](#)
[627MA124M14S](#) [655HS002NF11](#) [CW3899-000](#) [M85049/10-134S](#) [M85049/10-17S](#) [M85049/10-33S](#) [M85049/10-94W](#) [M85049/11-28N](#)
[M85049/11-37N](#) [M85049/11-53N](#) [M85049/11-63N](#) [M85049/124-23W](#) [M85049/1720N04B](#) [M85049/1821W05C](#) [M85049/1825W06C](#)
[M85049/1919N05](#) [M85049/23-74W](#) [M85049/24-71N](#) [M85049/25-47N](#) [M85049/25-94W](#) [M85049/27S12N](#) [M85049/39-11S](#) [M85049/39-17S](#)
[M85049/39-9S](#) [M85049/6-10B](#) [M85049/6-19N](#) [M85049/6-20B](#) [M85049/77-20W04](#) [M85049/78-11N03](#) [M85049/78-15W02](#) [M85049/78-](#)
[17N04](#) [M85049/78-19N05](#) [M85049/79-19N07](#) [M85049/79-25N04](#) [M85049/82-18N02](#) [M85049/82-22P02](#) [M85049/83-10W03](#) [M85049/84-](#)
[20N03](#) [M85049/8-48N](#) [M85049/85-24N01](#) [M85049/85-24P01](#) [M85049/86-16P03](#)