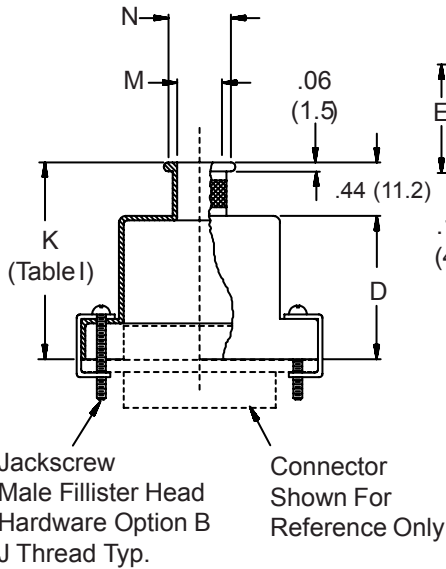
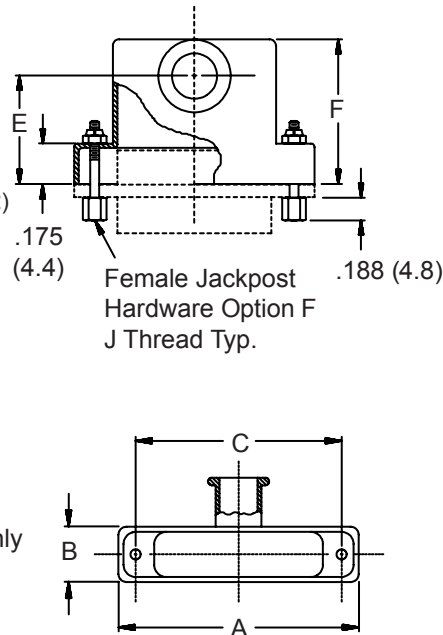


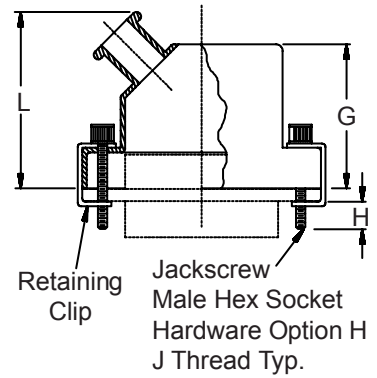
**STYLE T - TOP ENTRY**



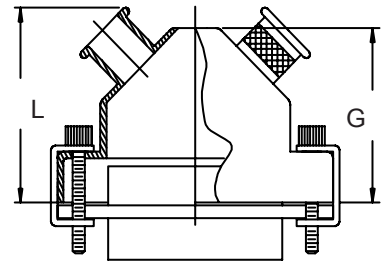
**STYLE S - SIDE ENTRY**



**STYLE E - 45° ENTRY**



**STYLE D - DUAL 45° ENTRY**



**Note:** It is easy to exceed the maximum allowable wire bundle diameter for the cable entry on these miniaturized backshells. Please see the table on C-3 for assistance, or chose an elliptical backshell entry design instead.

**HOW TO ORDER**

Series	Cable Entry Style	Basic Part Number	Shell Plating *	Shell Size (Table I)	Hardware Options *	Cable Entry (Table II)	Qwik-Ty Option	Band Option	
500	T - Top	010	C - Black Anodize	09	B - (2) male fillister head	04	S  (Omit for Standard)  	B  600-052 Band Supplied (Omit if Not Required)	
	S - Side		E - Chem. Film	15	E - (2) extended jackscrew	05			
	E - 45°		J - Gold Iridite Over	21	H - (2) male hex socket	06			
	D - Dual 45°			Cadmium Over	25	F - (2) female jackpost			07
				Electroless Nickel	31				08
				M - Electroless Nickel	37				09
				NF - Cadmium, Olive Drab Over Electroless Nickel	51				10
					100				11
									12
					Z2 - Gold				
	<b>Sample Part Number:</b>								
500	T	010	M	21	B	06	S	B	

\* SEE PAGE C-4 FOR COMPLETE INFORMATION

Metric dimensions (mm) are indicated in parentheses.

# 500-010 Standard Micro-D EMI/RFI Backshell



MIL-DTL-83513  
Micro-D

Series 500-010 EMI Backshells are intended for use on all standard metal shell Micro-D connectors conforming to MIL-DTL-83513. Shield termination is fast and reliable using EMI bands and banding tools, ordered separately.

**TABLE I: DIMENSIONS**

SHELL SIZE	A	B	C	D	E	F
09	.775 (19.7)	.36 (9.1)	.565 (14.4)	.32 (8.1)	.435 (11.0)	.607 (15.4)
15	.925 (23.5)	.36 (9.1)	.715 (18.2)	.44 (11.2)	.440 (11.2)	.643 (16.3)
21	1.075 (27.3)	.36 (9.1)	.865 (22.0)	.56 (14.2)	.458 (11.6)	.677 (17.2)
25	1.175 (29.8)	.36 (9.1)	.965 (24.5)	.62 (15.7)	.483 (12.3)	.718 (18.2)
31	1.325 (33.7)	.36 (9.1)	1.115 (28.3)	.68 (17.3)	.476 (12.1)	.726 (18.4)
37	1.475 (37.5)	.36 (9.1)	1.265 (32.1)	.72 (18.3)	.478 (12.2)	.744 (18.9)
51	1.425 (36.2)	.40 (10.2)	1.215 (30.9)	.75 (19.1)	.548 (13.9)	.829 (21.1)
100	2.160 (54.9)	.45 (11.4)	1.800 (45.7)	.81 (20.6)	.687 (17.4)	.984 (25.0)

SHELL SIZE	G	H REF	J THREAD	K ±.03 (0.8)	L MAX
09	.650 (16.5)	.154 (3.9)	2-56 UNC-2	.75 (19.1)	1.00 (25.4)
15	.700 (17.8)	.154 (3.9)	2-56 UNC-2	.88 (22.4)	1.03 (26.2)
21	.735 (18.7)	.154 (3.9)	2-56 UNC-2	1.00 (25.4)	1.05 (26.7)
25	.800 (20.3)	.154 (3.9)	2-56 UNC-2	1.06 (26.9)	1.09 (27.7)
31	.860 (21.8)	.154 (3.9)	2-56 UNC-2	1.12 (28.4)	1.13 (28.7)
37	.925 (23.5)	.154 (3.9)	2-56 UNC-2	1.16 (29.5)	1.23 (31.3)
51	.975 (24.8)	.154 (3.9)	2-56 UNC-2	1.19 (30.2)	1.25 (31.8)
100	1.050 (26.7)	.184 (4.7)	4-40 UNC-2	1.25 (31.8)	1.32 (33.5)

**TABLE II: CABLE ENTRY**

Cable Entry	Shell Size	M Entry Dia	N Dia
04	09 THRU 100	.125 (3.2)	.281 (7.1)
05	09 THRU 100	.156 (4.0)	.312 (7.9)
06	09 THRU 100	.188 (4.8)	.344 (8.7)
07	09 THRU 100	.219 (5.6)	.375 (9.5)
08	09 THRU 100	.250 (6.4)	.406 (10.3)
09	31 THRU 100	.281 (7.1)	.437 (11.1)
10	51 THRU 100	.312 (7.9)	.469 (11.9)
11	100 ONLY	.344 (8.7)	.500 (12.7)
12	100 ONLY	.375 (9.5)	.531 (13.5)

Metric dimensions (mm) are indicated in parentheses.

## X-ON Electronics

Largest Supplier of Electrical and Electronic Components

*Click to view similar products for [D-Sub Backshells](#) category:*

*Click to view products by [Glenair](#) manufacturer:*

Other Similar products are found below :

[600X51137X](#) [600X54009X](#) [66241-12A](#) [M85049/6-38N](#) [M85049/86-12N03](#) [M85049/90-13P03](#) [70.350.0636.4](#) [70.350.2435.1](#) [72.350.1035.2](#)  
[72.352.2435.1](#) [73.359.4035.3](#) [829472-1](#) [PCS-E20W](#) [970-015-040R011](#) [970-025-030R121](#) [971-009-030R121](#) [971-009-040R011](#) [971-015-](#)  
[040R011](#) [DPH-B-003](#) [1437013-9](#) [1484402-8](#) [156-3025-EX](#) [16-500800](#) [165X02659X](#) [165X03399A](#) [165X10259X](#) [165X11359X](#)  
[165X11689X](#) [165X11759X](#) [165X11889X](#) [165X11899X](#) [165X13019X](#) [165X13029X](#) [165X13169X](#) [165X13199X](#) [165X13239X](#)  
[165X13389X](#) [165X13489X](#) [165X14219X](#) [165X14429X](#) [165X14449X](#) [165X17409X](#) [165X17439X](#) [165X17569X](#) [165X17599X](#)  
[165X17609X](#) [165X17979X](#) [L171373](#) [971-025-030R121](#) [300X10989X](#)