

527-070
Solid Tag Ring® EMI/RFI Backshell
with Strain-Relief
for Cannon DPXA Series Connectors



ARINC
 Series 400
 (Cannon)

527-070 B L S T

Basic Part No. _____

Finish (Table I), Omit for Electroless Nickel _____

L = Strain Relief, _____
 Omit for Gland Nut

S = Side Entry _____
 Omit for Top

T = Shrink Boot (Series 77 Part No. 770-001S108) Provided, Omit for None _____

1. Metric dimensions (mm) are indicated in parentheses.
2. Material/Finish:
 Backshell, Tag Ring Body and Clamp = Al Alloy/Finish Per Part No. Development
 Tag Ring Nut = Al Alloy/Gold Iridite
 Tag Ring Spring = Beryllium Copper/Gold Plate
 Hardware = SST/Passivate
 RFI Gasket = Metalastic

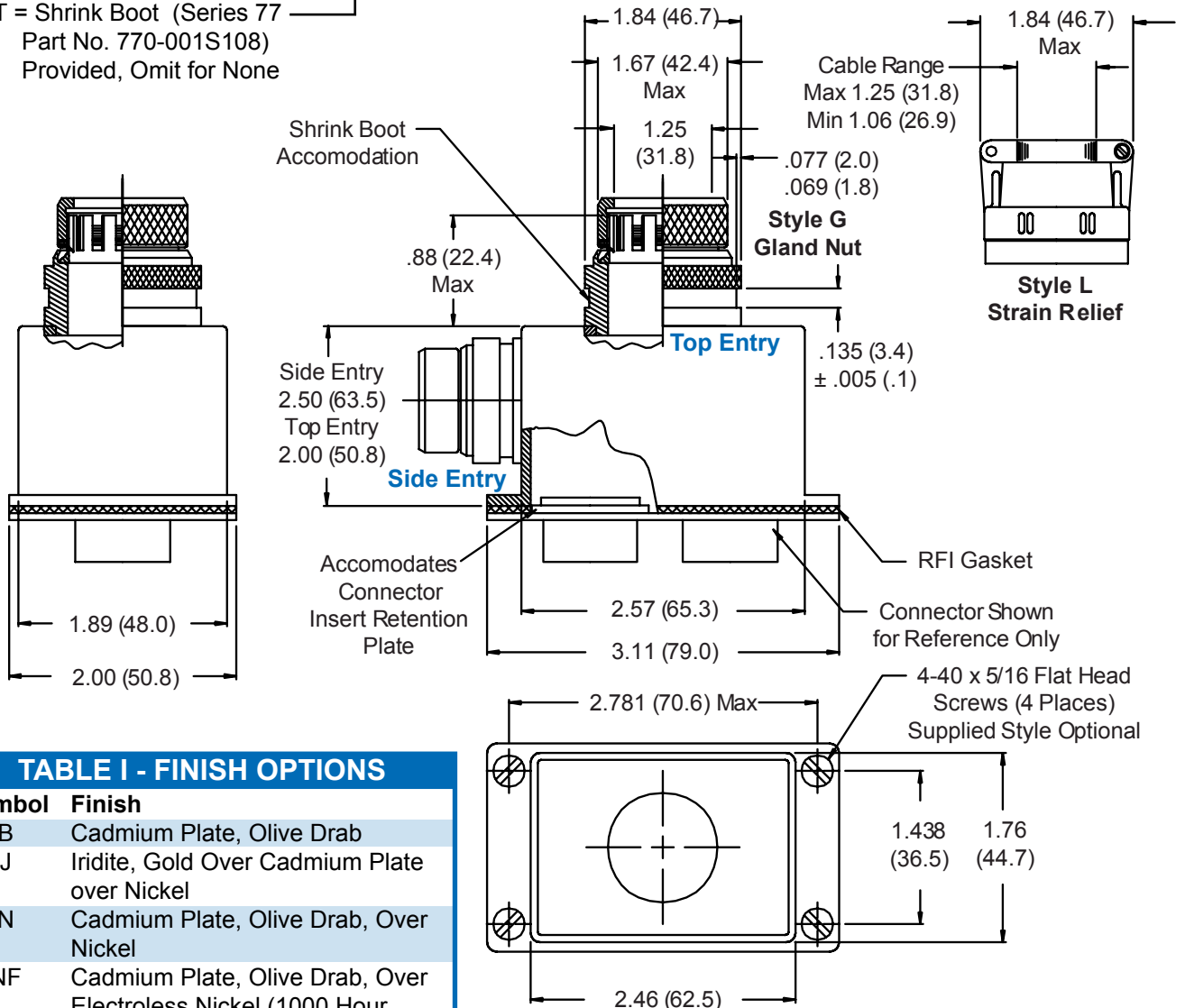


TABLE I - FINISH OPTIONS

Symbol	Finish
B	Cadmium Plate, Olive Drab
J	Iridite, Gold Over Cadmium Plate over Nickel
N	Cadmium Plate, Olive Drab, Over Nickel
NF	Cadmium Plate, Olive Drab, Over Electroless Nickel (1000 Hour Salt Spray)
T	Cadmium Plate, Bright Dip Over Nickel (500 Hour Salt Spray)

CONSULT FACTORY FOR OTHER AVAILABLE FINISHES

X-ON Electronics

Largest Supplier of Electrical and Electronic Components

Click to view similar products for [Rack & Panel Connectors](#) category:

Click to view products by [Glenair](#) manufacturer:

Other Similar products are found below :

[00171410002](#) [00171420202](#) [00171440002](#) [02-014-013-5200-000](#) [613467-000](#) [CTJ112E01E-513](#) [CTJ116E03A-513](#) [CTJ720E01B-513 L/C](#)
[66020-2](#) [CW8958-000](#) [699886-000](#) [D250-50632](#) [70.400.3240.0](#) [70.955.2453.3](#) [733753-000](#) [F22831-000](#) [780-522-DPX34RG8-02](#) [8660-501](#)
[87.060.0053.0](#) [900709N001](#) [928358-1](#) [D-659-0061](#) [DMC-MD 24 C-T](#) [1-445717-6](#) [1484469-2](#) [1604997-2](#) [MTC100-BF1-P31CS015](#)
[MTC100-KT2-0083](#) [MTC100-KT2-0123-003](#) [MTC100-YA1-005](#) [MTCPQKT1R2PGCA](#) [MTCR-103-04S](#) [MTCX1X-100-100CS025](#)
[1738331-1](#) [1757667-1](#) [1811481-1](#) [1883433-1](#) [201046-7](#) [202648-4](#) [213364-1](#) [226503-000](#) [937028-164](#) [1663130-2](#) [172305-4](#) [F36711-000](#)
[202355-2](#) [202356-2](#) [G16S-A](#) [G20S-AB](#) [CHA-0017-003](#)