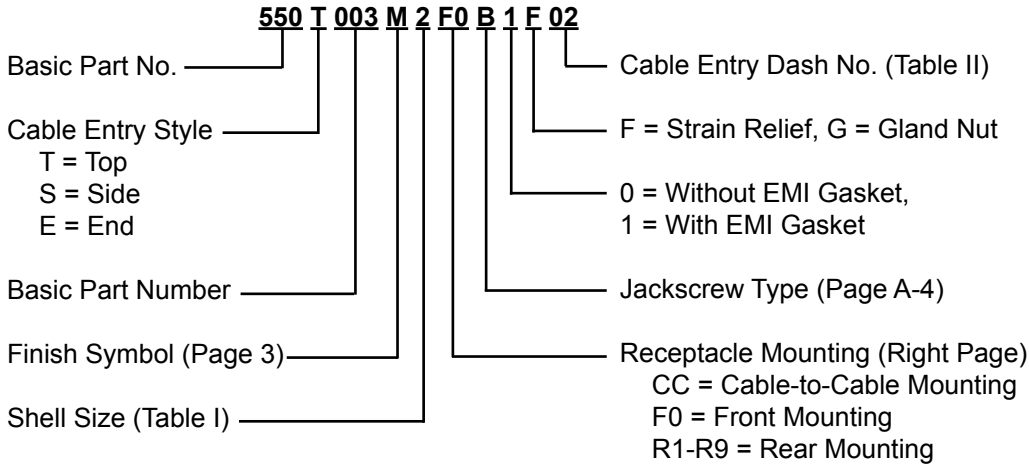
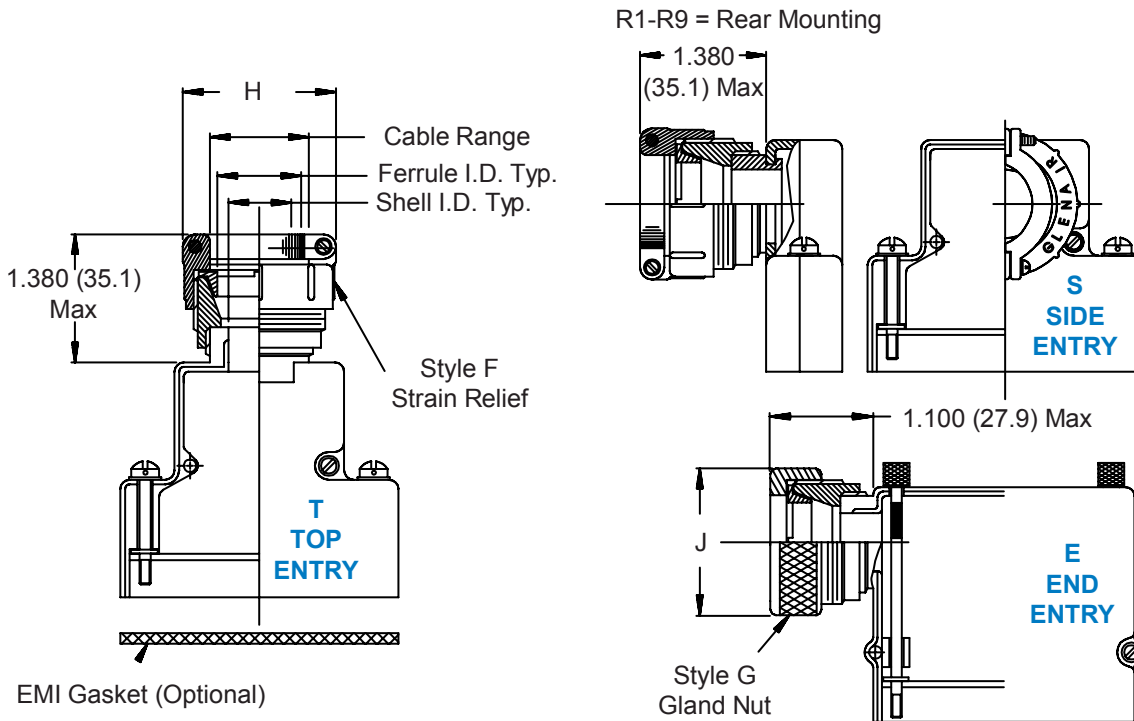




**550-003**  
**EMI/RFI D-Subminiature**  
**Strain-Relief Split Backshell**  
**for Individual and Overall Shielding**



1. Metric dimensions (mm) are indicated in parentheses.
2. **DO NOT USE CONNECTORS WITH FLOAT MOUNTINGS.**
3. Individual and overall shield. Thickness range: .031 (.8) to .188 (4.8).



**TABLE I: SHELL SIZE & ENTRY**

| Shell Size | Com'l Shell Size Ref | Entry Style T (Ref) | Entry Style E |
|------------|----------------------|---------------------|---------------|
|            |                      | Shell I.D.          | Shell I.D.    |
| 1          | E/09                 | .250 (6.4)          | .375 (9.5)    |
| 2          | A/15                 | .375 (9.5)          | .375 (9.5)    |
| 3          | B/25                 | .475 (12.1)         | .475 (12.1)   |
| 4          | C/37                 | .475 (12.1)         | .475 (12.1)   |
| 5          | D/50                 | .575 (14.6)         | .575 (14.6)   |
| 6*         | F/104                | 1.000 (25.4)        | n/a           |

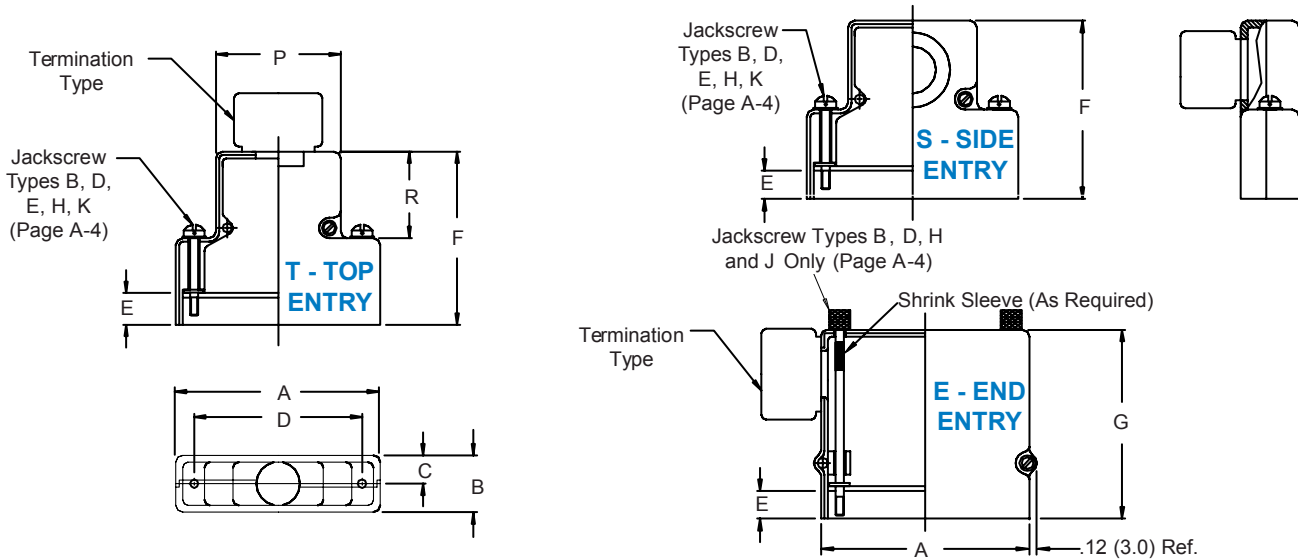
\* Shell Size 6 Available in Top Entry Only.

**TABLE II: BACKSHELL DIMENSIONS & CABLE ENTRY**

| Dash No. | H Max        | J Max        | Cable Range |              | Ferrule I.D. |
|----------|--------------|--------------|-------------|--------------|--------------|
|          |              |              | Min         | Max          |              |
| 02       | .968 (24.6)  | .781 (19.8)  | .125 (3.2)  | .250 (6.4)   | .125 (3.2)   |
| 03       | 1.046 (26.6) | .906 (23.0)  | .250 (6.4)  | .375 (9.5)   | .250 (6.4)   |
| 04       | 1.156 (29.4) | 1.031 (26.2) | .312 (7.9)  | .500 (12.7)  | .375 (9.5)   |
| 05       | 1.218 (30.9) | 1.156 (29.4) | .437 (11.1) | .625 (15.9)  | .500 (12.7)  |
| 06       | 1.343 (34.1) | 1.281 (32.5) | .562 (14.3) | .750 (19.1)  | .625 (15.9)  |
| 07*      | 1.468 (37.3) | 1.406 (35.7) | .687 (17.4) | .875 (22.2)  | .750 (19.1)  |
| 08*      | 1.593 (40.5) | 1.531 (38.9) | .812 (20.6) | 1.000 (25.4) | .875 (22.2)  |

\* Available in Shell Size 6 Only

# D-Subminiature Split Backshells Standard Dimensions



## COMMON CONNECTOR/SHELL INTERFACE & BACKSHELL DIMENSIONS

| Com'l Shell Size | Shell Ref | A Max        | B Max       | C Ref.      | D ±.005 (.1) | P            | R Ref        |
|------------------|-----------|--------------|-------------|-------------|--------------|--------------|--------------|
| 1                | E/09      | 1.393 (35.4) | .624 (15.8) | .312 (7.9)  | .984 (25.0)  | .730 (18.5)  | .719 (18.3)  |
| 2                | A/15      | 1.706 (43.3) | .624 (15.8) | .312 (7.9)  | 1.312 (33.3) | 1.050 (26.7) | .719 (18.3)  |
| 3                | B/25      | 2.265 (57.5) | .624 (15.8) | .312 (7.9)  | 1.852 (47.0) | 1.594 (40.5) | .938 (23.8)  |
| 4                | C/37      | 2.900 (73.7) | .624 (15.8) | .312 (7.9)  | 2.500 (63.5) | 2.240 (56.9) | .938 (23.8)  |
| 5                | D/50      | 2.800 (71.1) | .750 (19.1) | .375 (9.5)  | 2.406 (61.1) | 2.140 (54.4) | .938 (23.8)  |
| 6                | F/104     | 2.900 (73.7) | .844 (21.4) | .422 (10.7) | 2.500 (63.5) | 2.240 (56.9) | 1.094 (27.8) |

## CABLE MOUNTING AND BACKSHELL DIMENSIONS

| Dash No. | Panel Thickness | E          | F ± .031 (0.79) |              |              | G ± .031 (0.79) |              |
|----------|-----------------|------------|-----------------|--------------|--------------|-----------------|--------------|
|          |                 |            | Sizes 1 & 2     | Sizes 3 - 5  | Size 6       | Sizes 1 & 2     | Sizes 3 - 5  |
| CC       | n/a             | .174 (4.4) | 1.451 (36.9)    | 1.671 (42.4) | 1.820 (46.2) | 1.583 (40.2)    | 1.831 (46.5) |
| F0       | n/a             | .343 (8.7) | 1.625 (41.3)    | 1.844 (46.8) | 2.000 (50.8) | 1.750 (44.5)    | 2.000 (50.8) |
| R1       | .031 (.8)       | .247 (6.3) | 1.525 (38.7)    | 1.745 (44.3) | 1.890 (48.0) | 1.656 (42.1)    | 1.904 (48.4) |
| R2       | .047 (1.2)      | .231 (5.9) | 1.509 (38.3)    | 1.728 (43.9) | 1.875 (47.6) | 1.640 (41.7)    | 1.888 (48.0) |
| R3       | .062 (1.6)      | .216 (5.5) | 1.500 (38.1)    | 1.720 (43.7) | 1.860 (47.2) | 1.625 (41.3)    | 1.873 (47.6) |
| R4       | .093 (2.4)      | .185 (4.7) | 1.470 (37.3)    | 1.690 (42.9) | 1.829 (46.5) | 1.594 (40.5)    | 1.842 (46.8) |
| R5       | .104 (2.6)      | .174 (4.4) | 1.451 (36.9)    | 1.671 (42.4) | 1.820 (46.2) | 1.583 (40.2)    | 1.831 (46.5) |
| R6       | .125 (3.2)      | .153 (3.9) | 1.430 (36.3)    | 1.650 (41.9) | 1.798 (45.7) | 1.563 (39.7)    | 1.811 (46.0) |
| R7       | .156 (4.0)      | .125 (3.2) | 1.400 (35.6)    | 1.620 (41.1) | 1.767 (44.9) | 1.531 (38.9)    | 1.781 (45.2) |
| R8       | .135 (3.4)      | .140 (3.6) | 1.417 (36.0)    | 1.637 (41.6) | 1.805 (45.8) | 1.550 (39.4)    | 1.798 (45.7) |
| R9       | .188 (4.8)      | .094 (2.4) | 1.368 (34.7)    | 1.590 (40.4) | 1.740 (44.2) | 1.500 (38.1)    | 1.750 (44.5) |

Metric dimensions (mm) are indicated in parentheses.

## X-ON Electronics

Largest Supplier of Electrical and Electronic Components

*Click to view similar products for [D-Sub Backshells](#) category:*

*Click to view products by [Glenair](#) manufacturer:*

Other Similar products are found below :

[173114-0084](#) [173112-1658](#) [600X51137X](#) [600X54009X](#) [66241-12A](#) [M85049/48-1-2](#) [M85049/48-3-5F](#) [M85049/6-38N](#) [M85049/86-12N03](#)  
[70.350.0636.4](#) [70.350.2435.1](#) [72.350.1035.2](#) [72.352.2435.1](#) [73.359.4035.3](#) [799-015TMH07M](#) [799-015TMH08N](#) [FKH1RE](#) [829472-1](#) [F-](#)  
[PHG-1E](#) [F-PHG-3E](#) [F-PHG-4E](#) [F-PHR-4E](#) [PCS-E20W](#) [8655MHRA0901KLF](#) [8655MHRA2501KLF](#) [958-009-010R011](#) [970-015-040R011](#)  
[970-025-030R121](#) [970-025-040R011](#) [971-009-030R121](#) [971-009-040R011](#) [971-015-040R011](#) [971-025-040R011](#) [GS85049/38-25M](#) [975T009-](#)  
[020R121](#) [975T015-020R121](#) [1-21986-2](#) [1-21986-5](#) [DB-20962](#) [DE-C8-J9-F4-1R](#) [DE-C8-J9-F5-1R](#) [DPH-B-003](#) [1437013-9](#) [1484402-8](#)  
[MS3057-10A](#) [156-3025-EX](#) [MS3417-16C](#) [16-500800](#) [165X02659X](#) [165X03329A](#)