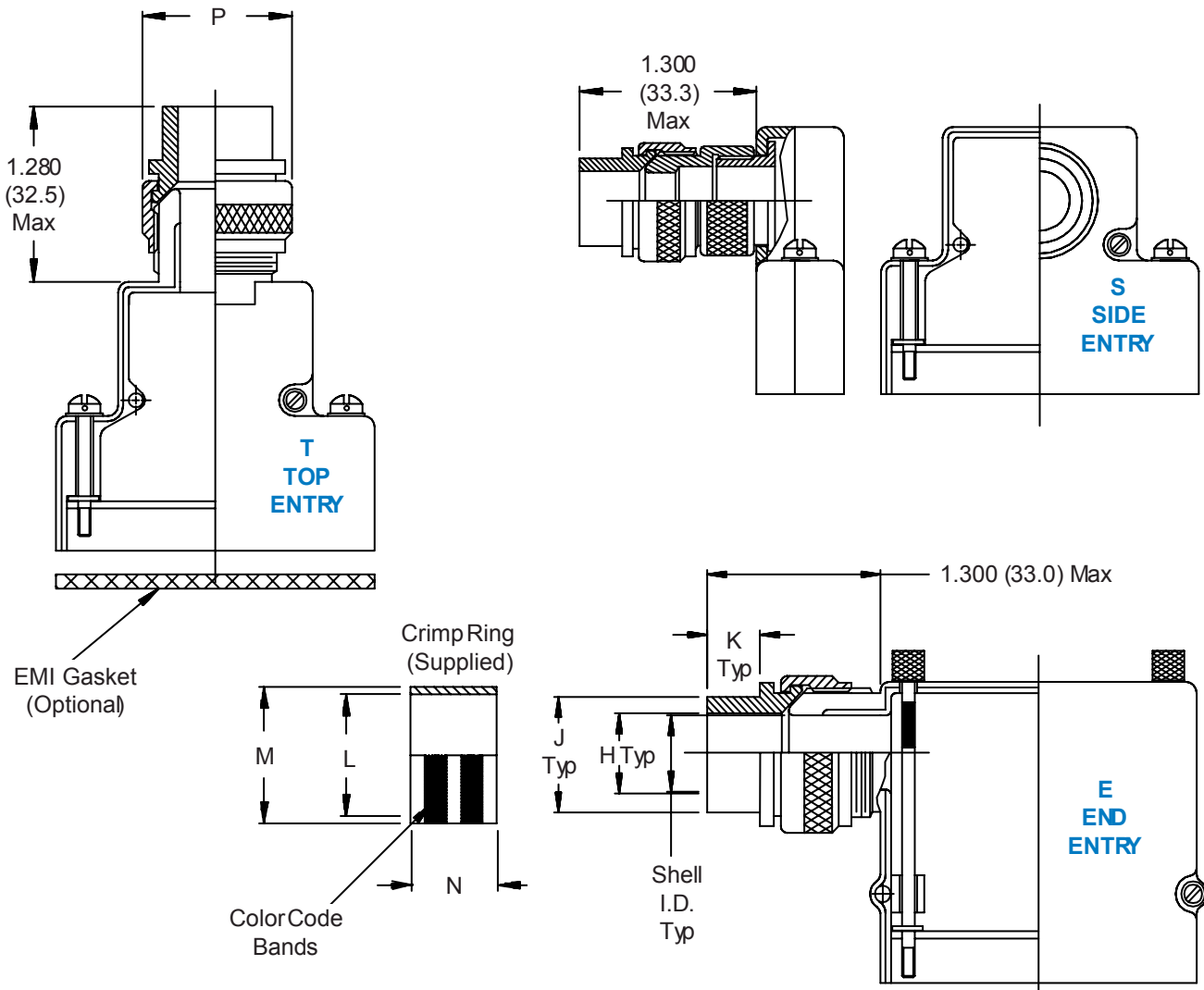
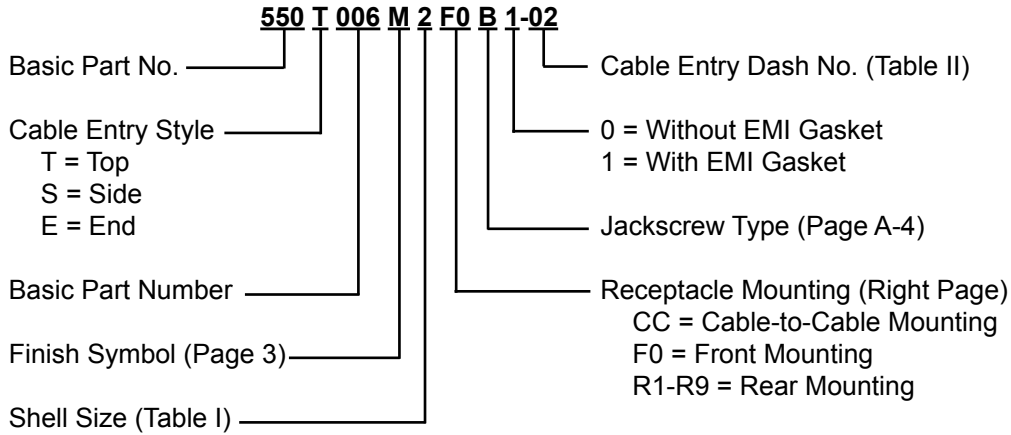




550-006 EMI/RFI D-Subminiature Split Backshell Crimp Ring Shield Termination



550-006
EMI/RFI D-Subminiature Split Backshell
Crimp Ring Shield Termination



MIL-DTL-24308
D-Subminiature

TABLE I: SHELL SIZE & ENTRY STYLE

Shell Size	Com'l Shell Size Ref	Style T	Style E	P Max
		Shell I.D.	Shell I.D.	
1	E/09	.250 (6.4)	.375 (9.5)	.940 (23.9)
2	A/15	.375 (9.5)	.375 (9.5)	.940 (23.9)
3	B/25	.475 (12.1)	.475 (12.1)	1.060 (26.9)
4	C/37	.475 (12.1)	.475 (12.1)	1.060 (26.9)
5	D/50	.575 (14.6)	.575 (14.6)	1.190 (30.2)
6*	F/104	.625 (15.9)	n/a	1.594 (40.5)

* Shell Size 6 Available in Top Entry Only.

TABLE II: BACKSHELL DIMENSIONS & CABLE ENTRY

Dash No.	H Dia		J Dia		K Dim		L Dia		M Dia		N Dim		Color Code
	±.005	(.1)	±.005	(.1)	±.015	(.4)	±.005	(.1)	±.010	(.3)	±.020	(.5)	
06	.090	(2.3)	.113	(2.9)	.525	(13.3)	.156	(4.0)	.194	(4.9)	.250	(6.4)	Yellow
10	.124	(3.1)	.145	(3.7)	.525	(13.3)	.187	(4.7)	.227	(5.8)	.250	(6.4)	Green
13	.149	(3.8)	.179	(4.5)	.525	(13.3)	.225	(5.7)	.256	(6.5)	.250	(6.4)	Tin
16	.175	(4.4)	.215	(5.5)	.525	(13.3)	.261	(6.6)	.297	(7.5)	.250	(6.4)	Yellow
20	.219	(5.6)	.250	(6.4)	.525	(13.3)	.297	(7.5)	.335	(8.5)	.250	(6.4)	Green
23	.250	(6.4)	.281	(7.1)	.525	(13.3)	.327	(8.3)	.372	(9.4)	.250	(6.4)	Tin
26	.275	(7.0)	.305	(7.7)	.525	(13.3)	.375	(9.5)	.406	(10.3)	.250	(6.4)	Yellow
29	.297	(7.5)	.335	(8.5)	.525	(13.3)	.405	(10.3)	.453	(11.5)	.250	(6.4)	Red
30	.312	(7.9)	.365	(9.3)	.525	(13.3)	.425	(10.8)	.473	(12.0)	.250	(6.4)	Tin
31	.375	(9.5)	.406	(10.3)	.525	(13.3)	.500	(12.7)	.560	(14.2)	.250	(6.4)	Green
32	.430	(10.9)	.500	(12.7)	.600	(15.2)	.590	(15.0)	.670	(17.0)	.440	(11.2)	Red
33	.550	(14.0)	.620	(15.7)	.600	(15.2)	.710	(18.0)	.790	(20.1)	.440	(11.2)	Blue

1. Metric dimensions (mm) are indicated in parentheses.
2. **DO NOT USE CONNECTORS WITH FLOAT MOUNTINGS.**
3. Overall shield thickness range: .020 (.5) to .050 (1.3).
4. Crimp Ring Material: Tinned Copper per ASTM B188

X-ON Electronics

Largest Supplier of Electrical and Electronic Components

Click to view similar products for [D-Sub Backshells](#) category:

Click to view products by [Glenair](#) manufacturer:

Other Similar products are found below :

[600X51137X](#) [600X54009X](#) [66241-12A](#) [M85049/6-38N](#) [M85049/86-12N03](#) [M85049/90-13P03](#) [70.350.0636.4](#) [70.350.2435.1](#) [72.350.1035.2](#)
[72.352.2435.1](#) [73.359.4035.3](#) [829472-1](#) [PCS-E20W](#) [970-015-040R011](#) [971-009-030R121](#) [971-009-040R011](#) [971-015-040R011](#) [DPH-B-003](#)
[1437013-9](#) [1484402-8](#) [156-3025-EX](#) [16-500800](#) [165X02659X](#) [165X03399A](#) [165X10259X](#) [165X11359X](#) [165X11689X](#) [165X11759X](#)
[165X11889X](#) [165X11899X](#) [165X13019X](#) [165X13029X](#) [165X13169X](#) [165X13199X](#) [165X13239X](#) [165X13389X](#) [165X13489X](#)
[165X14219X](#) [165X14429X](#) [165X14449X](#) [165X17409X](#) [165X17439X](#) [165X17569X](#) [165X17599X](#) [165X17609X](#) [165X17979X](#) [L171373](#)
[971-025-030R121](#) [300X10989X](#) [165X02609X](#)