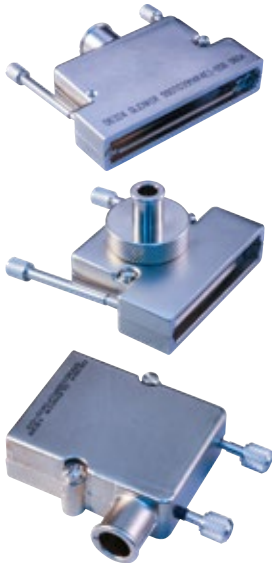


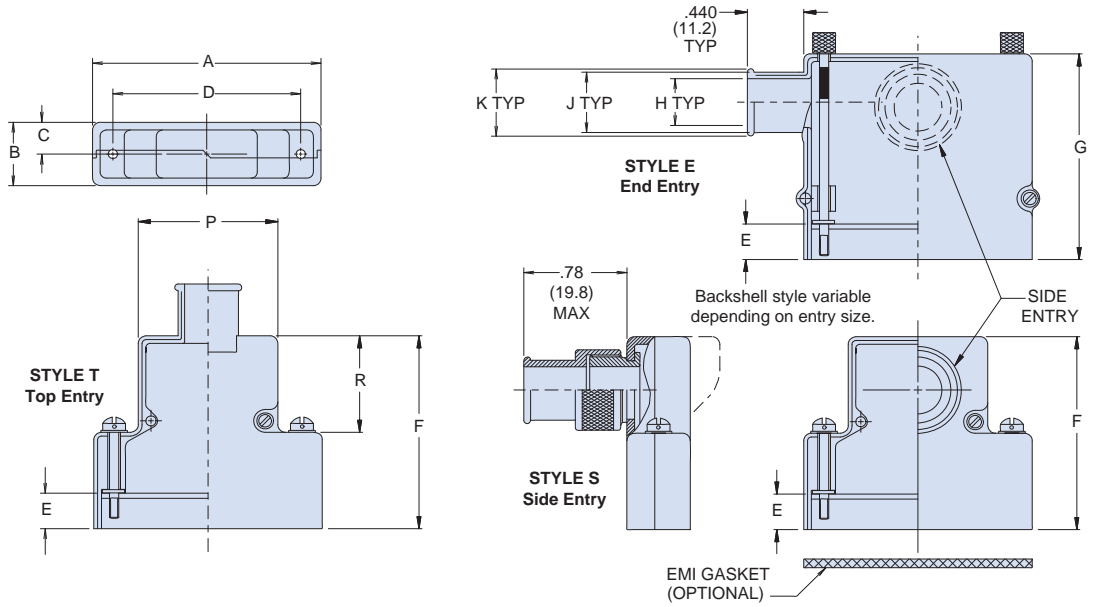
SPACE-GRADE MIL-DTL-24308 D-SUB BACKSHELLS EMI/RFI Split Backshell with Banding Porch for Panel and Cable Mounted Connectors



Split shell, top, side, and end cable entry · 550-039



How To Order									
Sample Part Number	550T039 M 2 F0 B 1 -02 B								
Series	550T039 = Top entry 550S039 = Side entry 550E039 = End entry								
Finish Symbol	M = Electroless Nickel ZZ = Gold Plate								
Shell Size	1, 2, 3, 4, 5, 6 (Table I)								
Receptacle Mounting	F0 = Front mount R1-R9 = Rear mount CC = Cable-to-cable (see Table III)								
Jackscrew Type	A, B, D, E, H, K, J, F, L, M, N, P, R (see diagrams)								
EMI Gasket	1 = With EMI gasket 0 = Without EMI gasket								
Cable Entry	01, 02, 03, 04, 05, 06, 07, 08, 09, 10, 11, 12, 13, 14 (Table II)								
Band Option	B = Band Supplied (600-052) Omit for none								



Shell Size	Com'l Shell Size Ref.	A Max.		B Max.		C		D ±.005 (.13)		P		R Ref.		Max Entry (Styles T and E)
		In.	mm	In.	mm	In.	mm	In.	mm	In.	mm	In.	mm	
1	E/09	1.393	35.4	.624	15.8	.312	7.9	.984	25.0	.730	18.5	.719	18.3	05
2	A/15	1.706	43.3	.624	15.8	.312	7.9	1.312	33.3	1.050	26.7	.719	18.3	05
3	B/25	2.265	57.5	.624	15.8	.312	7.9	1.852	47.0	1.594	40.5	.938	23.8	05
4	C/37	2.900	73.7	.624	15.8	.312	7.9	2.500	63.5	2.240	56.9	.938	23.8	08*
5	D/50	2.800	71.1	.750	19.1	.375	9.5	2.406	61.1	2.140	54.4	.938	23.8	08
6	F/104	2.900	73.7	.844	21.4	.422	10.7	2.500	63.5	2.240	56.9	1.094	27.8	14

*Max entry 08 for style "E" backshell

MATERIALS
Backshell: Aluminum alloy
Jackscrews: CRES / passivated
Gasket: Metex

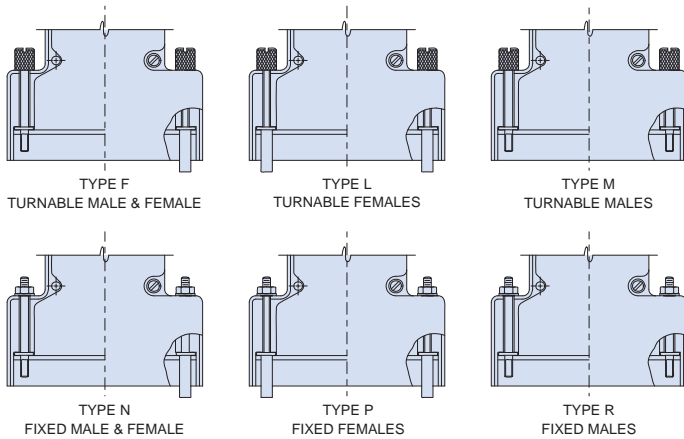
SPACE-GRADE MIL-DTL-24308 D-SUB BACKSHELLS EMI/RFI Split Backshell with Banding Porch for Panel and Cable Mounted Connectors



Split shell, top, side, and end cable entry · 550-039

Entry Size	H Dia		J Dia		K Dia	
	In.	mm	In.	mm	In.	mm
	01	.125	3.18	.250	6.35	.312
02	.250	6.35	.375	9.52	.438	11.13
03	.312	7.92	.438	11.13	.500	12.70
04	.395	10.03	.500	12.70	.562	14.27
05	.438	11.13	.562	14.27	.625	15.88
06	.500	12.70	.625	15.88	.688	17.48
07	.562	14.27	.688	17.48	.750	19.05
08	.624	15.85	.750	19.05	.812	20.62
09	.688	17.48	.812	20.62	.875	22.23
10	.780	19.81	.875	22.23	.937	23.80
11	.812	20.62	.937	23.80	1.000	25.40
12	.875	22.23	1.000	25.40	1.125	28.58
13	.937	23.80	1.062	26.97	1.187	30.15
14	1.000	25.40	1.125	28.58	1.250	31.75

POLARIZING JACKSCREW OPTIONS



MALE JACKSCREW OPTIONS

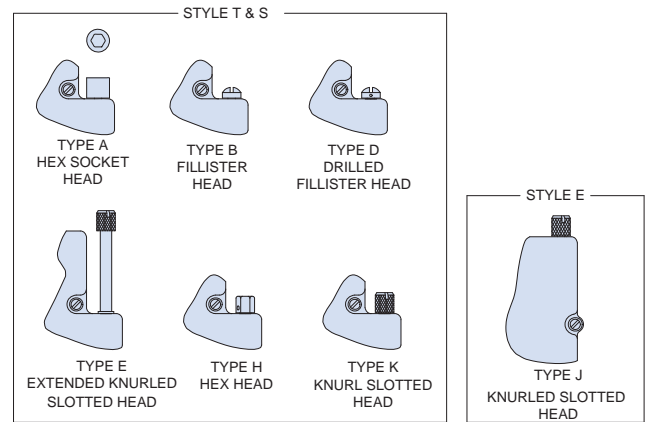


Table III: Cable Mounting and Backshell Dimensions

Dash No.	Panel Thickness		E		F						G			
	In.	mm	In.	mm	Size 1 and 2		Size 3-5		Size 6		Size 1 and 2		Size 3-6	
					In.	mm	In.	mm	In.	mm	In.	mm	In.	mm
CC	N/A		.185	4.7	1.467	37.3	1.686	42.8	1.842	46.8	1.592	40.4	1.842	46.8
F0	N/A		.343	8.7	1.625	41.3	1.844	46.8	2.000	50.8	1.750	44.5	2.000	50.8
R1	.031	0.79	.247	6.3	1.529	38.8	1.748	44.4	1.904	48.4	1.654	42.0	1.904	48.4
R2	.047	1.19	.231	5.9	1.513	38.4	1.732	44.0	1.888	48.0	1.638	41.6	1.888	48.0
R3	.062	1.57	.216	5.5	1.498	38.0	1.717	43.6	1.873	47.6	1.623	41.2	1.873	47.6
R4	.093	2.36	.185	4.7	1.467	37.3	1.686	42.8	1.842	46.8	1.592	40.4	1.842	46.8
R5	.104	2.64	.174	4.4	1.456	37.0	1.675	42.5	1.831	46.5	1.581	40.2	1.831	46.5
R6	.125	3.18	.153	3.9	1.435	36.4	1.654	42.0	1.810	46.0	1.560	39.6	1.810	46.0
R7	.156	3.96	.125	3.2	1.407	35.7	1.626	41.3	1.782	45.3	1.532	38.9	1.782	45.3
R8	.135	3.43	.140	3.6	1.422	36.1	1.641	41.7	1.797	45.7	1.547	39.3	1.797	45.7
R9	.188	4.78	.094	2.4	1.376	34.9	1.595	40.5	1.751	44.5	1.501	38.1	1.751	44.5

Note: accurate panel thickness specification for panel-mounted connectors ensures backshell shroud will completely envelop connector for electromagnetic compatibility. Glenair recommends optional EMI/RFI gaskets for all panel-mount EMC applications.

X-ON Electronics

Largest Supplier of Electrical and Electronic Components

Click to view similar products for [D-Sub Backshells](#) category:

Click to view products by [Glenair](#) manufacturer:

Other Similar products are found below :

[173114-0084](#) [173112-1658](#) [600X51137X](#) [600X54009X](#) [66241-12A](#) [M85049/48-1-2](#) [M85049/48-3-5F](#) [M85049/6-38N](#) [M85049/86-12N03](#)
[70.350.0636.4](#) [70.350.2435.1](#) [72.350.1035.2](#) [72.352.2435.1](#) [73.359.4035.3](#) [799-015TMH07M](#) [799-015TMH08N](#) [FKH1RE](#) [829472-1](#) [F-](#)
[PHG-1E](#) [F-PHG-3E](#) [F-PHG-4E](#) [F-PHR-4E](#) [PCS-E20W](#) [8655MHRA0901KLF](#) [8655MHRA2501KLF](#) [958-009-010R011](#) [970-015-040R011](#)
[970-025-030R121](#) [970-025-040R011](#) [971-009-030R121](#) [971-009-040R011](#) [971-015-040R011](#) [971-025-040R011](#) [GS85049/38-25M](#) [975T009-](#)
[020R121](#) [975T015-020R121](#) [1-21986-2](#) [1-21986-5](#) [DB-20962](#) [DE-C8-J9-F4-1R](#) [DE-C8-J9-F5-1R](#) [DPH-B-003](#) [1437013-9](#) [1484402-8](#)
[MS3057-10A](#) [156-3025-EX](#) [MS3417-16C](#) [16-500800](#) [165X02659X](#) [165X03329A](#)