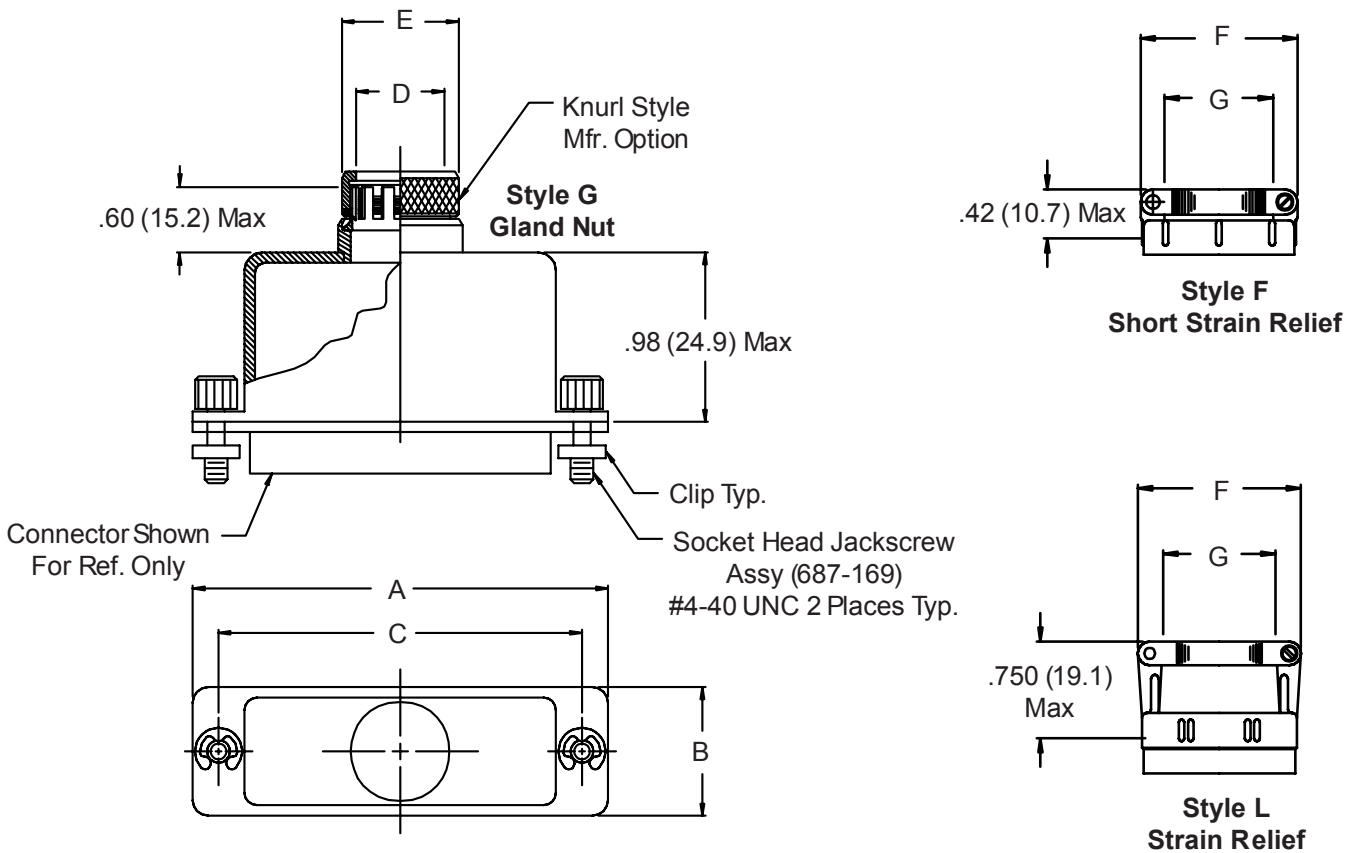


557-130
D-Subminiature TAG Ring®
Solid Backshell

557-130 M 2 02 G

Basic Part No. ————
 Finish Symbol ————
 (Page 3)
 Shell Size (Table I) ————

F = Short Strain Relief
 G = Gland Nut
 L = Strain Relief
 Cable Entry (Table II)



1. Metric dimensions (mm) are indicated in parentheses.
2. TAG Ring® nut is aluminum with gold iridite finish. TAG Ring® spring is beryllium copper with gold plating.

557-130
D-Subminiature TAG Ring®
 Solid Backshell



MIL-DTL-24308
 D-Subminiature

TABLE I: SHELL SIZE & CONNECTOR INTERFACE DIMENSIONS

Shell Size	A Max	B Max	C ±.005 (.1)	Max Dash No. Table II
1	1.25 (31.8)	.53 (13.5)	.984 (25.0)	03
2	1.58 (40.1)	.53 (13.5)	1.312 (33.3)	03
3	2.13 (54.1)	.53 (13.5)	1.852 (47.0)	03
4	2.77 (70.4)	.53 (13.5)	2.500 (63.5)	03
5	2.68 (68.1)	.66 (16.8)	2.406 (61.1)	04
6	2.77 (70.4)	.73 (18.5)	2.500 (63.5)	05

TABLE II: CABLE ENTRY

Dash No.	D Entry	E Dia Max	F Max	G - Cable Range	
				Min	Max
02	.25 (6.4)	.55 (14.0)	.97 (24.6)	.125 (3.2)	.250 (6.4)
03	.37 (9.4)	.67 (17.0)	1.05 (26.7)	.250 (6.4)	.375 (9.5)
04	.50 (12.7)	.80 (20.3)	1.16 (29.5)	.250 (6.4)	.438 (11.1)
05	.62 (15.7)	.92 (23.4)	1.22 (31.0)	.375 (9.5)	.625 (15.9)

Metric dimensions (mm) are indicated in parentheses.

X-ON Electronics

Largest Supplier of Electrical and Electronic Components

Click to view similar products for [D-Sub Backshells](#) category:

Click to view products by [Glenair](#) manufacturer:

Other Similar products are found below :

[173114-0084](#) [173112-1658](#) [600X51137X](#) [600X54009X](#) [66241-12A](#) [M85049/48-1-2](#) [M85049/48-3-5F](#) [M85049/6-38N](#) [M85049/86-12N03](#)
[70.350.0636.4](#) [70.350.2435.1](#) [72.350.1035.2](#) [72.352.2435.1](#) [73.359.4035.3](#) [799-015TMH07M](#) [799-015TMH08N](#) [FKH1RE](#) [829472-1](#) [F-](#)
[PHG-1E](#) [F-PHG-3E](#) [F-PHG-4E](#) [F-PHR-4E](#) [PCS-E20W](#) [8655MHRA0901KLF](#) [8655MHRA2501KLF](#) [958-009-010R011](#) [970-015-040R011](#)
[970-025-030R121](#) [970-025-040R011](#) [971-009-030R121](#) [971-009-040R011](#) [971-015-040R011](#) [971-025-040R011](#) [GS85049/38-25M](#) [975T009-](#)
[020R121](#) [975T015-020R121](#) [1-21986-2](#) [1-21986-5](#) [DB-20962](#) [DE-C8-J9-F4-1R](#) [DE-C8-J9-F5-1R](#) [DPH-B-003](#) [1437013-9](#) [1484402-8](#)
[MS3057-10A](#) [156-3025-EX](#) [MS3417-16C](#) [16-500800](#) [165X02659X](#) [165X03329A](#)