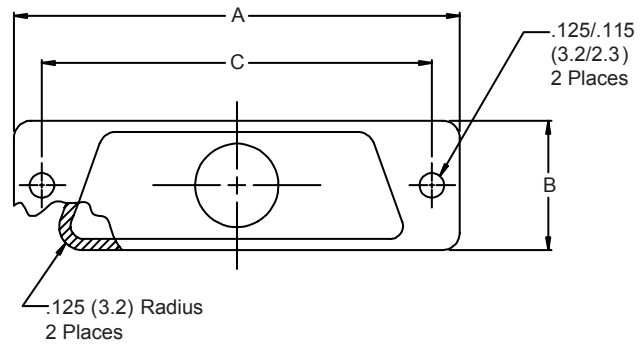
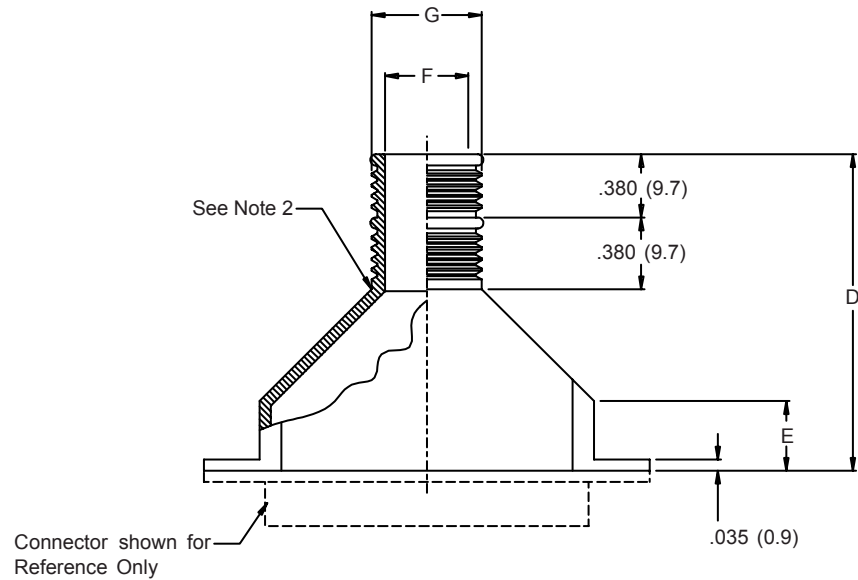
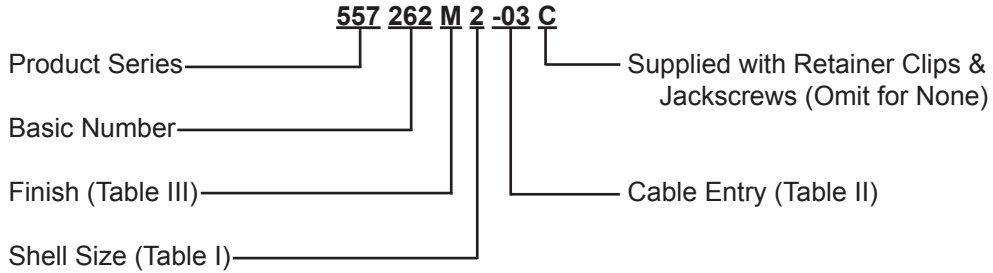


557-262 EMI/RFI Banding Backshell Assembly for MIL-C-24308 Connectors



NOTES:

1. Metric dimensions (mm) are indicated in parentheses.
2. End Fitting may be brazed on per MIL-B-7883B, Type V, Grade B.

557-262
EMI/RFI Banding Backshell Assembly
for MIL-C-24308 Connectors



MIL-DTL-24308
D-Subminiature

TABLE I: BACKSHELL & CONNECTOR INTERFACE DIMENSIONS

| Shell Size | A | B | C ±.005 (0.1) | D | E | Max Entry Size |
|------------|--------------|-------------|------------------|--------------|-------------|----------------|
| 1 | 1.203 (30.6) | .500 (12.7) | .984 (25.0) | 1.570 (39.9) | .440 (11.2) | 06 |
| 2 | 1.531 (38.9) | .500 (12.7) | 1.312 (33.3) | 1.650 (41.9) | .440 (11.2) | 06 |
| 3 | 2.078 (52.8) | .500 (12.7) | 1.852 (47.0) | 1.930 (49.0) | .500 (12.7) | 06 |
| 4 | 2.718 (69.0) | .500 (12.7) | 2.500 (63.5) | 2.070 (52.6) | .500 (12.7) | 06 |
| 5 | 2.625 (66.7) | .609 (15.5) | 2.406 (61.1) | 2.050 (52.1) | .440 (11.2) | 08 |

TABLE II: CABLE ENTRY

| Entry Size | F | G |
|------------|-------------|-------------|
| 01 | .125 (3.2) | .205 (5.2) |
| 02 | .187 (4.7) | .267 (6.8) |
| 03 | .265 (6.7) | .360 (9.1) |
| 04 | .312 (7.9) | .392 (10.0) |
| 05 | .390 (9.9) | .485 (12.3) |
| 06 | .415 (10.5) | .510 (13.0) |
| 07 | .500 (12.7) | .580 (14.7) |
| 08 | .525 (13.3) | .620 (15.7) |

**TABLE III:
FINISH OPTIONS**

| Symbol | Finish |
|--------|---|
| B | Cadmium Plate/Olive Drab |
| C* | Black Anodize |
| G* | Anodic Hard Coat |
| J | Gold Iridite over Cadmium Plate over Electroless Nickel |
| LF | Cadmium Plate/Bright over Electroless Nickel |
| M | Electroless Nickel |
| N | Cadmium Plate/Olive Drab over Electroless Nickel |
| NC | Zinc Cobalt/Dark Olive Drab |
| NF | Cadmium Plate/Olive Drab over Electroless Nickel |
| T | Cadmium Plate/Bright over Electroless Nickel |
| U** | Cadmium Plate/Black |
| ZN | Zinc-Nickel Alloy/Olive Drab |

*Anodize finish is not suitable for EMI shielding or grounding applications.

**Applicable to corrosion resisting steel backshells and accessories. Consult factory for other available finishes.

Metric dimensions (mm) are indicated in parentheses

X-ON Electronics

Largest Supplier of Electrical and Electronic Components

Click to view similar products for [I/O Connectors](#) category:

Click to view products by [Glenair](#) manufacturer:

Other Similar products are found below :

[571763P](#) [58098-0628](#) [61-168618-12P](#) [D38999/20FJ29SB L/C](#) [72.250.1628.2](#) [72.250.2428.2](#) [74720-0505](#) [747680210](#) [76.350.0729.0](#) [76871-1403](#) [FCN-244F080-G/1](#) [FCN-260A9920](#) [FCN-268D024-G/2F#10X-R10](#) [MP-5T180MUNNA-005](#) [MP-5XRJ45UNNB-003](#) [PCS-E50FA](#) [PCS-XE26LKA](#) [PCS-XE26MA+](#) [PCS-XES68MS+](#) [G38A71314B](#) [91-569719-35R](#) [9776-18-6](#) [DX40-50P\(55\)](#) [1571250010](#) [157-22500-3](#) [MS3471L14-19P L/C](#) [171224-6031](#) [1888020-8](#) [91-569786-35H](#) [91-569786-35M](#) [91-644626-35P](#) [172501-4002](#) [172501-6002](#) [FCN-260C008-A/L0](#) [FCN-260C024-AL0](#) [FCN-268D008-G/1K](#) [2000314-1](#) [200331-1](#) [2007498-2](#) [PCR-E28LMDAG1+](#) [PCR-E36FC+](#) [PCS-E28FS+](#) [PCS-XE26SLFD+](#) [PCS-XE26SLFDT+](#) [G38A71214B](#) [HDRA-E68W1LFDTC-SL+](#) [HDR-E14MSG1+](#) [R88A-CNK81S](#) [CRT1-ATT02](#) [54182-0605](#)