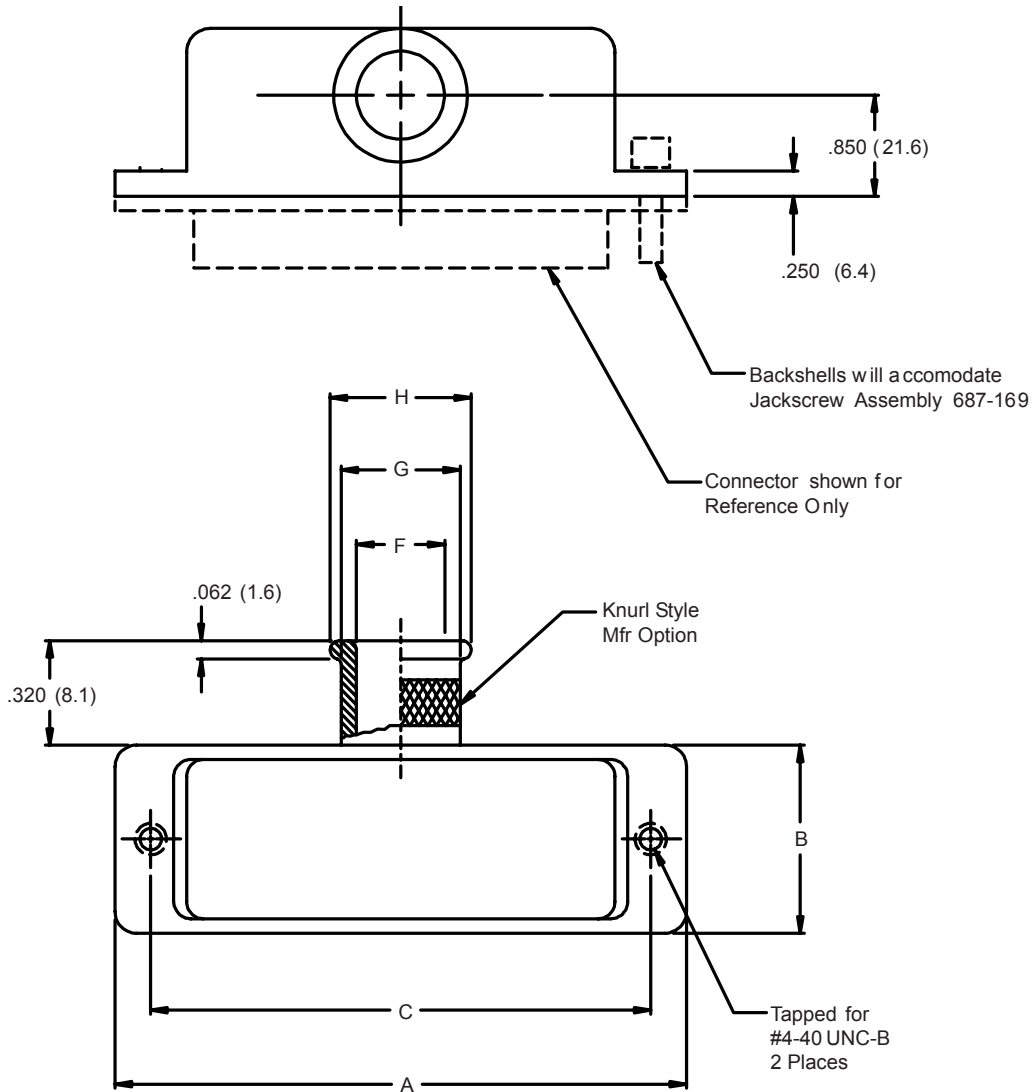
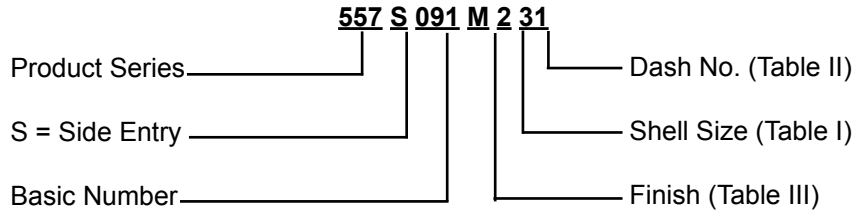




557-091

EMI/RFI Banding Backshell Assembly for MIL-C-24308 Connectors



Metric dimensions (mm) are indicated in parentheses

557-091
EMI/RFI Banding Backshell Assembly
for MIL-C-24308 Connectors



MIL-DTL-24308
D-Subminiature

TABLE I: CONNECTOR INTERFACE DIMS

| Shell Size | A Max | B | C ±.005 (0.1) |
|------------|--------------|-------------|---------------|
| 1 | 1.250 (31.8) | .530 (13.5) | .984 (25.0) |
| 2 | 1.580 (40.1) | .530 (13.5) | 1.312 (33.3) |
| 3 | 2.130 (54.1) | .530 (13.5) | 1.852 (47.0) |
| 4 | 2.770 (70.5) | .530 (13.5) | 2.500 (63.5) |
| 5 | 2.680 (68.1) | .660 (16.8) | 2.406 (61.1) |

TABLE II: CABLE ENTRY

| Dash No. | F Dia | G Dia | H Dia |
|----------|-------------|-------------|-------------|
| 16 | .175 (4.4) | .300 (7.6) | .362 (9.2) |
| 23 | .250 (6.4) | .375 (9.5) | .437 (11.1) |
| 30 | .312 (7.9) | .437 (11.1) | .500 (12.7) |
| 31 | .375 (9.5) | .500 (12.7) | .562 (14.3) |
| 32 | .430 (10.9) | .555 (14.1) | .617 (15.7) |
| 33 | .550 (14.0) | .675 (17.1) | .737 (18.7) |

**TABLE III:
FINISH OPTIONS**

| Symbol | Finish |
|--------|---|
| B | Cadmium Plate/Olive Drab |
| C* | Black Anodize |
| G* | Anodic Hard Coat |
| J | Gold Iridite over Cadmium Plate over Electroless Nickel |
| LF | Cadmium Plate/Bright over Electroless Nickel |
| M | Electroless Nickel |
| N | Cadmium Plate/Olive Drab over Electroless Nickel |
| NC | Zinc Cobalt/Dark Olive Drab |
| NF | Cadmium Plate/Olive Drab over Electroless Nickel |
| T | Cadmium Plate/Bright over Electroless Nickel |
| U** | Cadmium Plate/Black |
| ZN | Zinc-Nickel Alloy/Olive Drab |

*Anodize finish is not suitable for EMI shielding or grounding applications.

**Applicable to corrosion resisting steel backshells and accessories. Consult factory for other available finishes.

Metric dimensions (mm) are indicated in parentheses

X-ON Electronics

Largest Supplier of Electrical and Electronic Components

Click to view similar products for [D-Sub Backshells](#) category:

Click to view products by [Glenair](#) manufacturer:

Other Similar products are found below :

[600X51137X](#) [600X54009X](#) [66241-12A](#) [M85049/6-38N](#) [M85049/86-12N03](#) [M85049/90-13P03](#) [70.350.0636.4](#) [70.350.2435.1](#) [72.350.1035.2](#)
[72.352.2435.1](#) [73.359.4035.3](#) [829472-1](#) [PCS-E20W](#) [970-015-040R011](#) [971-009-030R121](#) [971-009-040R011](#) [971-015-040R011](#) [DPH-B-003](#)
[1437013-9](#) [1484402-8](#) [156-3025-EX](#) [16-500800](#) [165X02659X](#) [165X03399A](#) [165X10259X](#) [165X11359X](#) [165X11689X](#) [165X11759X](#)
[165X11889X](#) [165X11899X](#) [165X13019X](#) [165X13029X](#) [165X13169X](#) [165X13199X](#) [165X13239X](#) [165X13389X](#) [165X13489X](#)
[165X14219X](#) [165X14429X](#) [165X14449X](#) [165X17409X](#) [165X17439X](#) [165X17569X](#) [165X17599X](#) [165X17609X](#) [165X17979X](#) [L171373](#)
[971-025-030R121](#) [300X10989X](#) [165X02609X](#)