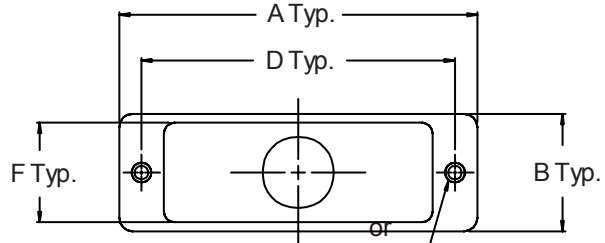
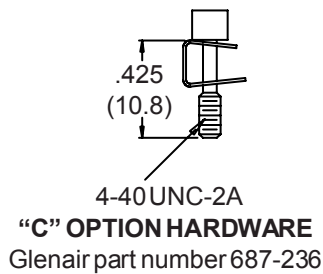
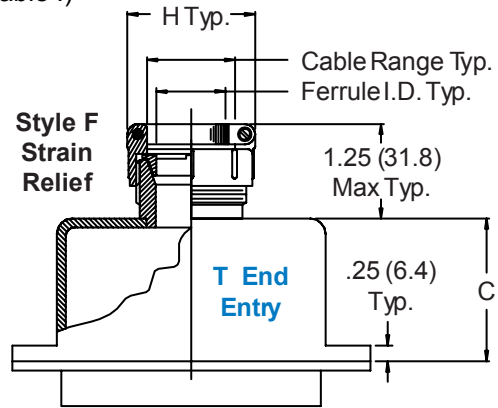
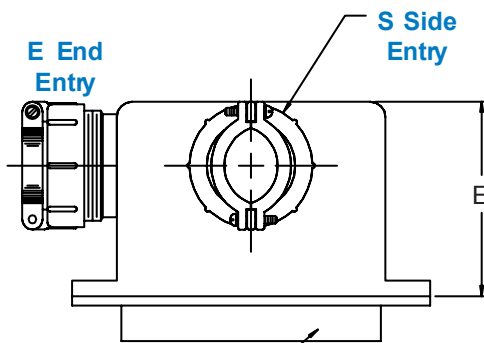
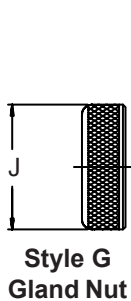
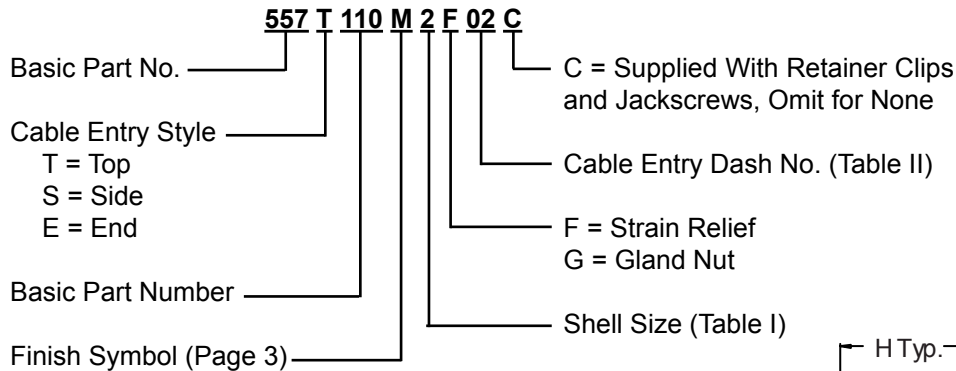




557-110 EMI/RFI D-Subminiature Solid Backshell for Individual and Overall Shielding with Strain-Relief



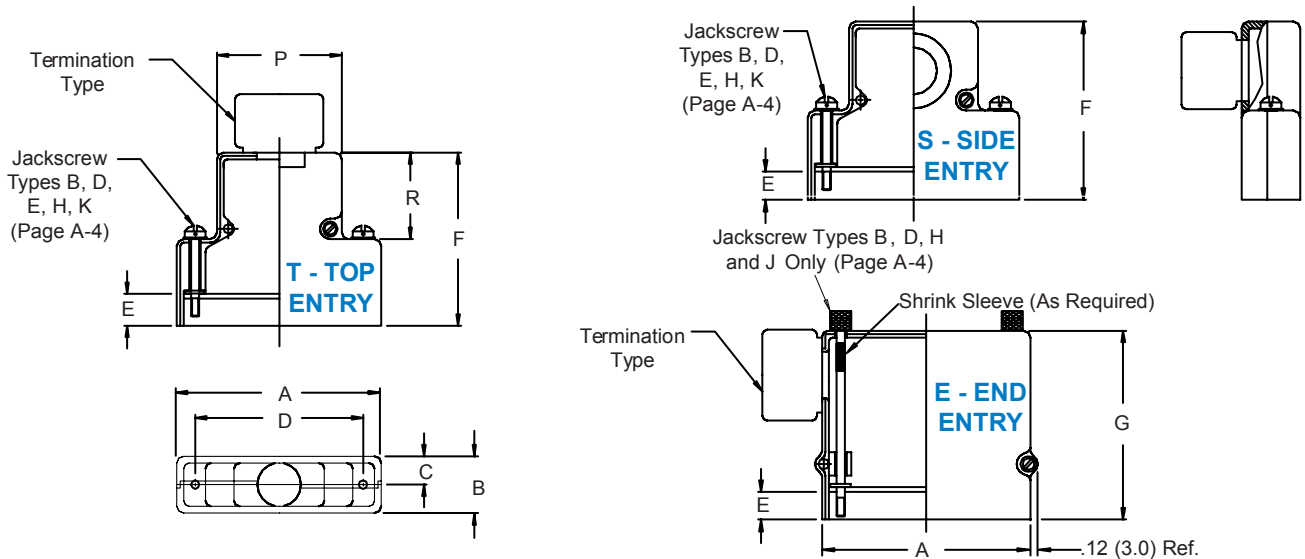
Tapped f 4-40UNC-2B
(2 places). When C option
is ordered, two cleared holes
are supplied.

Metric dimensions (mm) are
indicated in parentheses.

Dash No.	H Max	J Max	Cable Range		Ferrule I.D.
			Min	Max	
02	.968 (24.6)	.781 (19.8)	.125 (3.2)	.250 (6.4)	.125 (3.2)
03	1.046 (26.6)	.906 (23.0)	.250 (6.4)	.375 (9.5)	.250 (6.4)
04	1.156 (29.4)	1.031 (26.2)	.312 (7.9)	.500 (12.7)	.375 (9.5)
05	1.218 (30.9)	1.156 (29.4)	.375 (9.5)	.625 (15.9)	.500 (12.7)

Shell Size	Com'l Shell Size Ref	D				E	F	Max Dash No. Table II
		A	B	C	±.005 (.1)			
1	E/09	1.25 (31.8)	.53 (13.5)	.75 (19.1)	.984 (25.0)	1.88 (47.8)	.43 (10.9)	04
2	A/15	1.58 (40.1)	.53 (13.5)	.75 (19.1)	1.312 (33.3)	1.88 (47.8)	.43 (10.9)	04
3	B/25	2.13 (54.1)	.53 (13.5)	1.00 (25.4)	1.852 (47.0)	1.88 (47.8)	.43 (10.9)	04
4	C/37	2.77 (70.4)	.53 (13.5)	1.00 (25.4)	2.500 (63.5)	1.88 (47.8)	.43 (10.9)	04
5	D/50	2.68 (68.1)	.66 (16.8)	1.25 (31.8)	2.406 (61.1)	2.13 (54.1)	.56 (14.2)	04
6	F/104	2.77 (70.4)	.73 (18.5)	1.25 (31.8)	2.500 (63.5)	2.13 (54.1)	.63 (16.0)	05

D-Subminiature Split Backshells Standard Dimensions



COMMON CONNECTOR/SHELL INTERFACE & BACKSHELL DIMENSIONS

Shell Size	Com'l Shell Ref	Com'l Shell Size							
		A Max	B Max	C Ref.	D ±.005 (.1)	P	R Ref		
1	E/09	1.393 (35.4)	.624 (15.8)	.312 (7.9)	.984 (25.0)	.730 (18.5)	.719 (18.3)		
2	A/15	1.706 (43.3)	.624 (15.8)	.312 (7.9)	1.312 (33.3)	1.050 (26.7)	.719 (18.3)		
3	B/25	2.265 (57.5)	.624 (15.8)	.312 (7.9)	1.852 (47.0)	1.594 (40.5)	.938 (23.8)		
4	C/37	2.900 (73.7)	.624 (15.8)	.312 (7.9)	2.500 (63.5)	2.240 (56.9)	.938 (23.8)		
5	D/50	2.800 (71.1)	.750 (19.1)	.375 (9.5)	2.406 (61.1)	2.140 (54.4)	.938 (23.8)		
6	F/104	2.900 (73.7)	.844 (21.4)	.422 (10.7)	2.500 (63.5)	2.240 (56.9)	1.094 (27.8)		

CABLE MOUNTING AND BACKSHELL DIMENSIONS

Dash No.	Panel Thickness	E	F ± .031 (0.79)			G ± .031 (0.79)	
			Sizes 1 & 2	Sizes 3 - 5	Size 6	Sizes 1 & 2	Sizes 3 - 5
CC	n/a	.174 (4.4)	1.451 (36.9)	1.671 (42.4)	1.820 (46.2)	1.583 (40.2)	1.831 (46.5)
F0	n/a	.343 (8.7)	1.625 (41.3)	1.844 (46.8)	2.000 (50.8)	1.750 (44.5)	2.000 (50.8)
R1	.031 (.8)	.247 (6.3)	1.525 (38.7)	1.745 (44.3)	1.890 (48.0)	1.656 (42.1)	1.904 (48.4)
R2	.047 (1.2)	.231 (5.9)	1.509 (38.3)	1.728 (43.9)	1.875 (47.6)	1.640 (41.7)	1.888 (48.0)
R3	.062 (1.6)	.216 (5.5)	1.500 (38.1)	1.720 (43.7)	1.860 (47.2)	1.625 (41.3)	1.873 (47.6)
R4	.093 (2.4)	.185 (4.7)	1.470 (37.3)	1.690 (42.9)	1.829 (46.5)	1.594 (40.5)	1.842 (46.8)
R5	.104 (2.6)	.174 (4.4)	1.451 (36.9)	1.671 (42.4)	1.820 (46.2)	1.583 (40.2)	1.831 (46.5)
R6	.125 (3.2)	.153 (3.9)	1.430 (36.3)	1.650 (41.9)	1.798 (45.7)	1.563 (39.7)	1.811 (46.0)
R7	.156 (4.0)	.125 (3.2)	1.400 (35.6)	1.620 (41.1)	1.767 (44.9)	1.531 (38.9)	1.781 (45.2)
R8	.135 (3.4)	.140 (3.6)	1.417 (36.0)	1.637 (41.6)	1.805 (45.8)	1.550 (39.4)	1.798 (45.7)
R9	.188 (4.8)	.094 (2.4)	1.368 (34.7)	1.590 (40.4)	1.740 (44.2)	1.500 (38.1)	1.750 (44.5)

Metric dimensions (mm) are indicated in parentheses.

X-ON Electronics

Largest Supplier of Electrical and Electronic Components

Click to view similar products for [D-Sub MIL Spec Connectors](#) category:

Click to view products by [Glenair](#) manufacturer:

Other Similar products are found below :

[M85049/50-5F](#) [D38999/24WG11PB-LC](#) [MDM-21PH003L-K139](#) [MDM-9SH006A](#) [1218697-4](#) [D38999/26WJ61PC L/C](#) [DA-59-20](#) [1484349-1](#) [17D25HV](#) [1996840-1](#) [243082-15](#) [1757682-1](#) [17D-E51218-1](#) [17SDA15S](#) [1883533-1](#) [1883886-1](#) [1883889-1](#) [192900-0377](#) [M24308/8-347](#) [M83513/03-E09C](#) [D38999/24WG11SB-LC](#) [443961-3](#) [5-1218949-1](#) [550-031NF1R6K](#) [3-1236089-2](#) [550E001NF1R3J0L](#) [550T001NF1R6K0L](#) [557T283NF5B08](#) [DB121073-56](#) [DC121073157](#) [443869-3](#) [443869-4](#) [443869-5](#) [550S004NF1R1B0F03](#) [557E283NF1A06](#) [527-019NF0303R2K1F](#) [550-031NF1R2E](#) [550E003M2R9J0F04](#) [550E003M3R9J0F05](#) [550E024M104R9J0](#) [550E024NF102R3J0B](#) [550E039NF1R3J1-02](#) [550S003M3R9B0F05](#) [550S004M4R7M0F04](#) [550S004NF1R1B1F02](#) [550S008M3F0K0F04](#) [550S086M5R3J0L](#) [550S100NF3F0E](#) [550T001M2R7E0L](#) [550T001NF1F0B1L](#)