

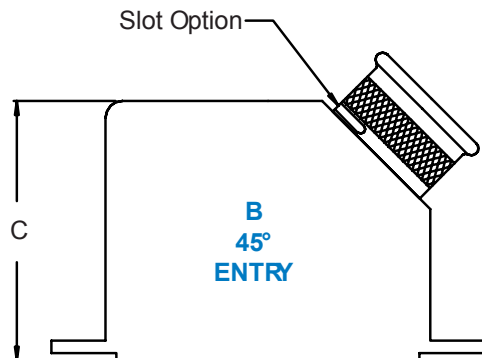
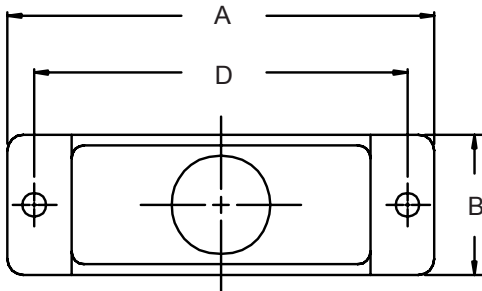
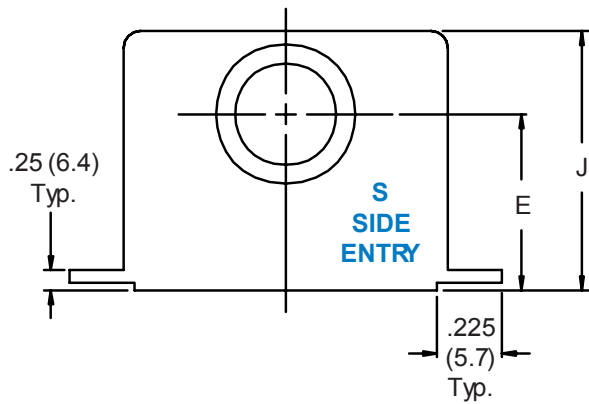
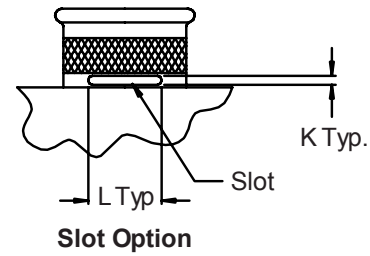
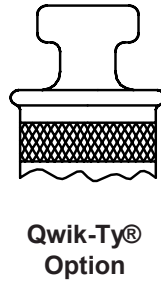
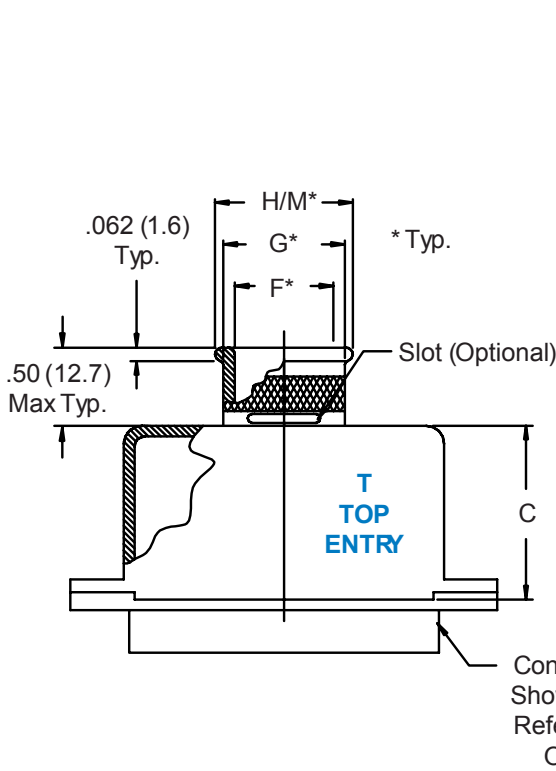


# 557-071 D-Subminiature Solid Banding Backshell with Qwik-Ty® and Slot Options

**557 T 071 M 2 31 S C T B -32**

Basic Part No. ————  
 Cable Entry Style ————  
     T = Top  
     S = Side  
     B = 45°  
 Basic Part Number ————  
 Finish Symbol (Page 3) ————  
 Shell Size (Table I) ————

————— -32 = Band Platform Length of .32 and M Dia  
 (Omit for Standard .50 Length)  
 ———— B = Band Supplied (600-052), Omit for None.  
 (Note: Band 600-057 Supplied If -32 Option)  
 ———— Qwik-Ty Option (Omit for None)  
 ———— Optional Retainer (Omit for Standard)  
 ———— Slot (Omit for None)  
 ———— Dash No. (Table II)



**557-071**  
**D-Subminiature Solid Banding Backshell**  
**with Qwik-Ty® and Slot Options**



MIL-DTL-24308  
D-Subminiature

**TABLE I: SHELL SIZE & BACKSHELL DIMENSIONS**

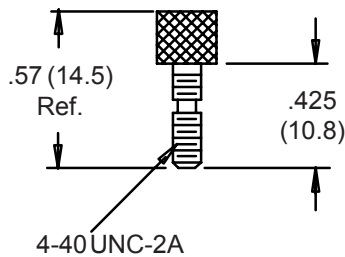
Shell Size	A Max	B	C	D ±.005 (.1)	E	J
1	1.25 (31.8)	.53 (13.5)	1.50 (38.1)	.984 (25.0)	1.25 (31.8)	1.68 (42.7)
2	1.58 (40.1)	.53 (13.5)	1.50 (38.1)	1.312 (33.3)	1.25 (31.8)	1.68 (42.7)
3	2.13 (54.1)	.53 (13.5)	1.50 (38.1)	1.852 (47.0)	1.25 (31.8)	1.68 (42.7)
4	2.77 (70.4)	.53 (13.5)	1.50 (38.1)	2.500 (63.5)	1.25 (31.8)	1.68 (42.7)
5	2.68 (68.1)	.66 (16.8)	1.50 (38.1)	2.406 (61.1)	1.38 (35.1)	1.81 (46.0)

**TABLE II: CABLE ENTRY**

Dash No.	F Dia	G Dia	H Dia	K Dim	L Dim	M Dia **
16	.175 (4.4)	.300 (7.6)	.412 (10.5)	.08 (2.0)	.19 (4.8)	.362 (9.2)
23	.250 (6.4)	.375 (9.5)	.487 (12.4)	.08 (2.0)	.22 (5.6)	.437 (11.1)
30	.312 (7.9)	.437 (11.1)	.550 (14.0)	.08 (2.0)	.25 (6.4)	.500 (12.7)
31	.375 (9.5)	.500 (12.7)	.612 (15.5)	.08 (2.0)	.28 (7.1)	.562 (14.3)
32	.430 (10.9)	.555 (14.1)	.667 (16.9)	.08 (2.0)	.31 (7.9)	.617 (15.7)
33*	.550 (14.0)	.675 (17.1)	.787 (20.0)	.08 (2.0)	.38 (9.7)	.737 (18.7)

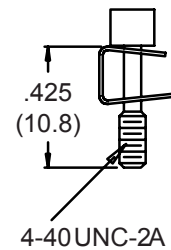
\* Available in Shell Size 5 only.      \*\* Dia with -32 optional band platform length.

1. Metric dimensions (mm) are indicated in parentheses.
2. **DO NOT USE CONNECTORS WITH FLOAT.**



**STANDARD HARDWARE SUPPLIED**

2 Socket Head Jackscrews with  
 "E" rings (Ref. MS16633-4011)  
 supplied unassembled.  
 Glenair part number 687-172



**"C" OPTION  
 HARDWARE**

Glenair part number  
 687-236

## X-ON Electronics

Largest Supplier of Electrical and Electronic Components

*Click to view similar products for [D-Sub Backshells](#) category:*

*Click to view products by [Glenair](#) manufacturer:*

Other Similar products are found below :

[600X51137X](#) [600X54009X](#) [66241-12A](#) [M85049/6-38N](#) [M85049/86-12N03](#) [M85049/90-13P03](#) [70.350.0636.4](#) [70.350.2435.1](#) [72.350.1035.2](#)  
[72.352.2435.1](#) [73.359.4035.3](#) [829472-1](#) [PCS-E20W](#) [970-015-040R011](#) [971-009-030R121](#) [971-009-040R011](#) [971-015-040R011](#) [DPH-B-003](#)  
[1437013-9](#) [1484402-8](#) [156-3025-EX](#) [16-500800](#) [165X02659X](#) [165X03399A](#) [165X10259X](#) [165X11359X](#) [165X11689X](#) [165X11759X](#)  
[165X11889X](#) [165X11899X](#) [165X13019X](#) [165X13029X](#) [165X13169X](#) [165X13199X](#) [165X13239X](#) [165X13389X](#) [165X13489X](#)  
[165X14219X](#) [165X14429X](#) [165X14449X](#) [165X17409X](#) [165X17439X](#) [165X17569X](#) [165X17599X](#) [165X17609X](#) [165X17979X](#) [L171373](#)  
[971-025-030R121](#) [300X10989X](#) [165X02609X](#)