



557-110 EMI/RFI D-Subminiature Solid Backshell for Individual and Overall Shielding with Strain-Relief

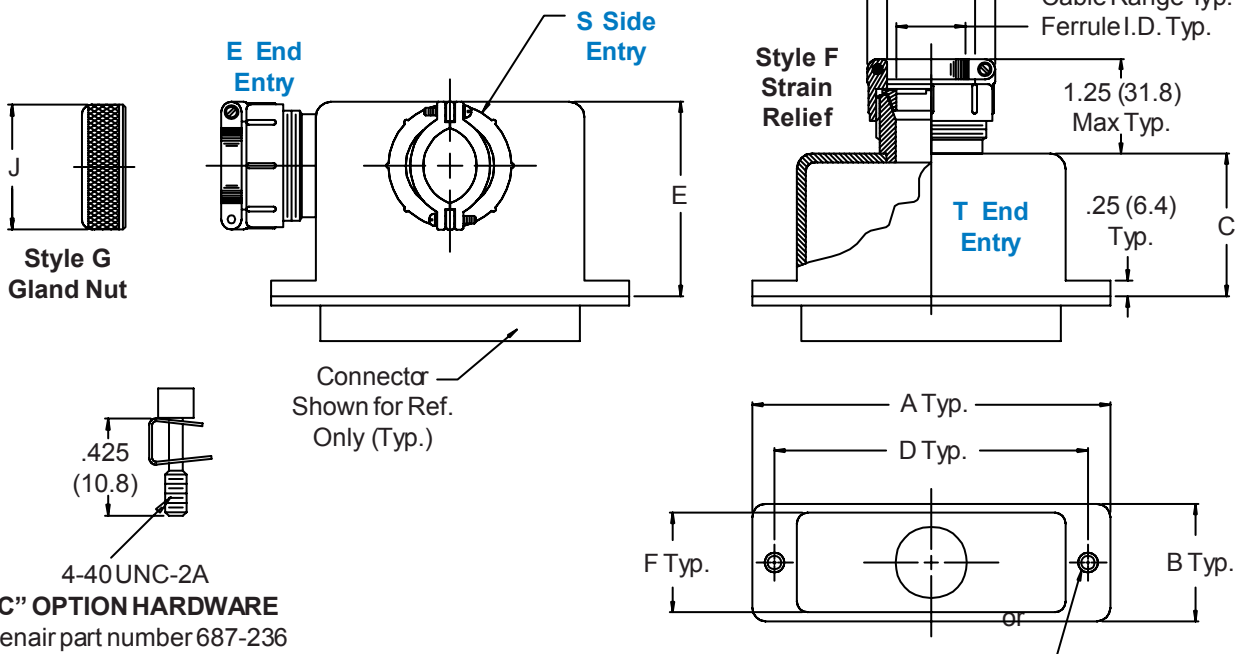
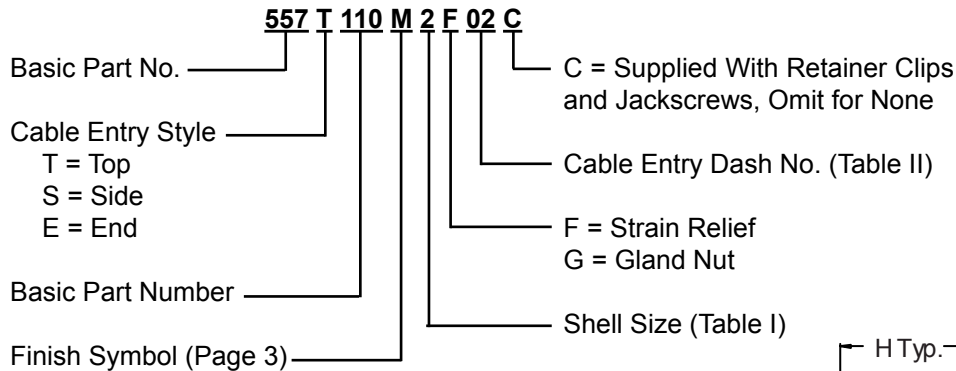


TABLE II: CABLE ENTRY

Dash No.	H Max	J Max	Cable Range		Ferrule I.D.
			Min	Max	
02	.968 (24.6)	.781 (19.8)	.125 (3.2)	.250 (6.4)	.125 (3.2)
03	1.046 (26.6)	.906 (23.0)	.250 (6.4)	.375 (9.5)	.250 (6.4)
04	1.156 (29.4)	1.031 (26.2)	.312 (7.9)	.500 (12.7)	.375 (9.5)
05	1.218 (30.9)	1.156 (29.4)	.375 (9.5)	.625 (15.9)	.500 (12.7)

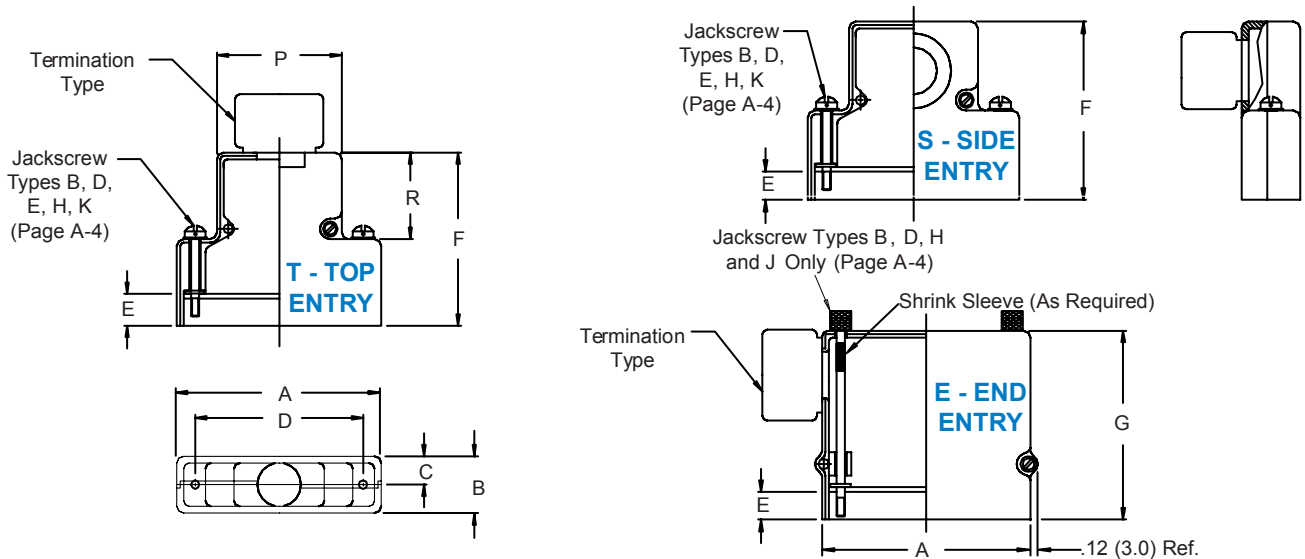
Tapped f 4-40UNC-2B (2 places). When C option is ordered, two cleared holes are supplied.

Metric dimensions (mm) are indicated in parentheses.

TABLE I: CONNECTOR/SHELL INTERFACE & BACKSHELL DIMENSIONS

Shell Size	Com'l Shell Size Ref	D				E	F	Max Dash No. Table II
		A	B	C	±.005 (.1)			
1	E/09	1.25 (31.8)	.53 (13.5)	.75 (19.1)	.984 (25.0)	1.88 (47.8)	.43 (10.9)	04
2	A/15	1.58 (40.1)	.53 (13.5)	.75 (19.1)	1.312 (33.3)	1.88 (47.8)	.43 (10.9)	04
3	B/25	2.13 (54.1)	.53 (13.5)	1.00 (25.4)	1.852 (47.0)	1.88 (47.8)	.43 (10.9)	04
4	C/37	2.77 (70.4)	.53 (13.5)	1.00 (25.4)	2.500 (63.5)	1.88 (47.8)	.43 (10.9)	04
5	D/50	2.68 (68.1)	.66 (16.8)	1.25 (31.8)	2.406 (61.1)	2.13 (54.1)	.56 (14.2)	04
6	F/104	2.77 (70.4)	.73 (18.5)	1.25 (31.8)	2.500 (63.5)	2.13 (54.1)	.63 (16.0)	05

D-Subminiature Split Backshells Standard Dimensions



COMMON CONNECTOR/SHELL INTERFACE & BACKSHELL DIMENSIONS

Shell Size	Com'l Shell Size Ref	A		B		C Ref.		D		P	R Ref		
		Max	(mm)	Max	(mm)		(mm)	$\pm .005$	(mm)				
1	E/09	1.393	(35.4)	.624	(15.8)	.312	(7.9)	.984	(25.0)	.730	(18.5)	.719	(18.3)
2	A/15	1.706	(43.3)	.624	(15.8)	.312	(7.9)	1.312	(33.3)	1.050	(26.7)	.719	(18.3)
3	B/25	2.265	(57.5)	.624	(15.8)	.312	(7.9)	1.852	(47.0)	1.594	(40.5)	.938	(23.8)
4	C/37	2.900	(73.7)	.624	(15.8)	.312	(7.9)	2.500	(63.5)	2.240	(56.9)	.938	(23.8)
5	D/50	2.800	(71.1)	.750	(19.1)	.375	(9.5)	2.406	(61.1)	2.140	(54.4)	.938	(23.8)
6	F/104	2.900	(73.7)	.844	(21.4)	.422	(10.7)	2.500	(63.5)	2.240	(56.9)	1.094	(27.8)

CABLE MOUNTING AND BACKSHELL DIMENSIONS

Dash No.	Panel Thickness	E	F $\pm .031$ (0.79)			G $\pm .031$ (0.79)	
			Sizes 1 & 2	Sizes 3 - 5	Size 6	Sizes 1 & 2	Sizes 3 - 5
CC	n/a	.174 (4.4)	1.451 (36.9)	1.671 (42.4)	1.820 (46.2)	1.583 (40.2)	1.831 (46.5)
F0	n/a	.343 (8.7)	1.625 (41.3)	1.844 (46.8)	2.000 (50.8)	1.750 (44.5)	2.000 (50.8)
R1	.031 (.8)	.247 (6.3)	1.525 (38.7)	1.745 (44.3)	1.890 (48.0)	1.656 (42.1)	1.904 (48.4)
R2	.047 (1.2)	.231 (5.9)	1.509 (38.3)	1.728 (43.9)	1.875 (47.6)	1.640 (41.7)	1.888 (48.0)
R3	.062 (1.6)	.216 (5.5)	1.500 (38.1)	1.720 (43.7)	1.860 (47.2)	1.625 (41.3)	1.873 (47.6)
R4	.093 (2.4)	.185 (4.7)	1.470 (37.3)	1.690 (42.9)	1.829 (46.5)	1.594 (40.5)	1.842 (46.8)
R5	.104 (2.6)	.174 (4.4)	1.451 (36.9)	1.671 (42.4)	1.820 (46.2)	1.583 (40.2)	1.831 (46.5)
R6	.125 (3.2)	.153 (3.9)	1.430 (36.3)	1.650 (41.9)	1.798 (45.7)	1.563 (39.7)	1.811 (46.0)
R7	.156 (4.0)	.125 (3.2)	1.400 (35.6)	1.620 (41.1)	1.767 (44.9)	1.531 (38.9)	1.781 (45.2)
R8	.135 (3.4)	.140 (3.6)	1.417 (36.0)	1.637 (41.6)	1.805 (45.8)	1.550 (39.4)	1.798 (45.7)
R9	.188 (4.8)	.094 (2.4)	1.368 (34.7)	1.590 (40.4)	1.740 (44.2)	1.500 (38.1)	1.750 (44.5)

Metric dimensions (mm) are indicated in parentheses.

X-ON Electronics

Largest Supplier of Electrical and Electronic Components

Click to view similar products for [D-Sub Backshells](#) category:

Click to view products by [Glenair](#) manufacturer:

Other Similar products are found below :

[600X54009X](#) [600X56025X](#) [M85049/86-12N03](#) [70.350.0636.4](#) [70.350.2435.1](#) [72.350.1035.2](#) [72.352.2435.1](#) [73.359.4035.3](#) [829472-1](#) [PCS-E20W](#) [971-009-040R011](#) [971-015-040R011](#) [975T015-020R121](#) [DD19678-4](#) [DD-C4-J13-S1](#) [DPH-B-003](#) [165X02659X](#) [165X10899X](#)
[165X11359X](#) [165X11689X](#) [165X13169X](#) [165X13199X](#) [165X13449X](#) [165X14219X](#) [165X14449X](#) [L171373](#) [971-037-040R011](#)
[300X11139X](#) [975T025-020R121](#) [165X00809X](#) [165X11279X](#) [165X11629XE](#) [165X11699X](#) [165X11789X](#) [165X14029X](#) [165X17189X](#)
[165X17559X](#) [300X10179X](#) [500-047M37H](#) [500E012J37H](#) [500S010M37H09](#) [500S010M51H10](#) [500T010E15B07](#) [500T010J09H05](#)
[500T010J21H08](#) [500T010M09B07](#) [500T010M09F08B](#) [500T010M15E08B](#) [500T010M15F05B](#) [500T010M15H08L](#)