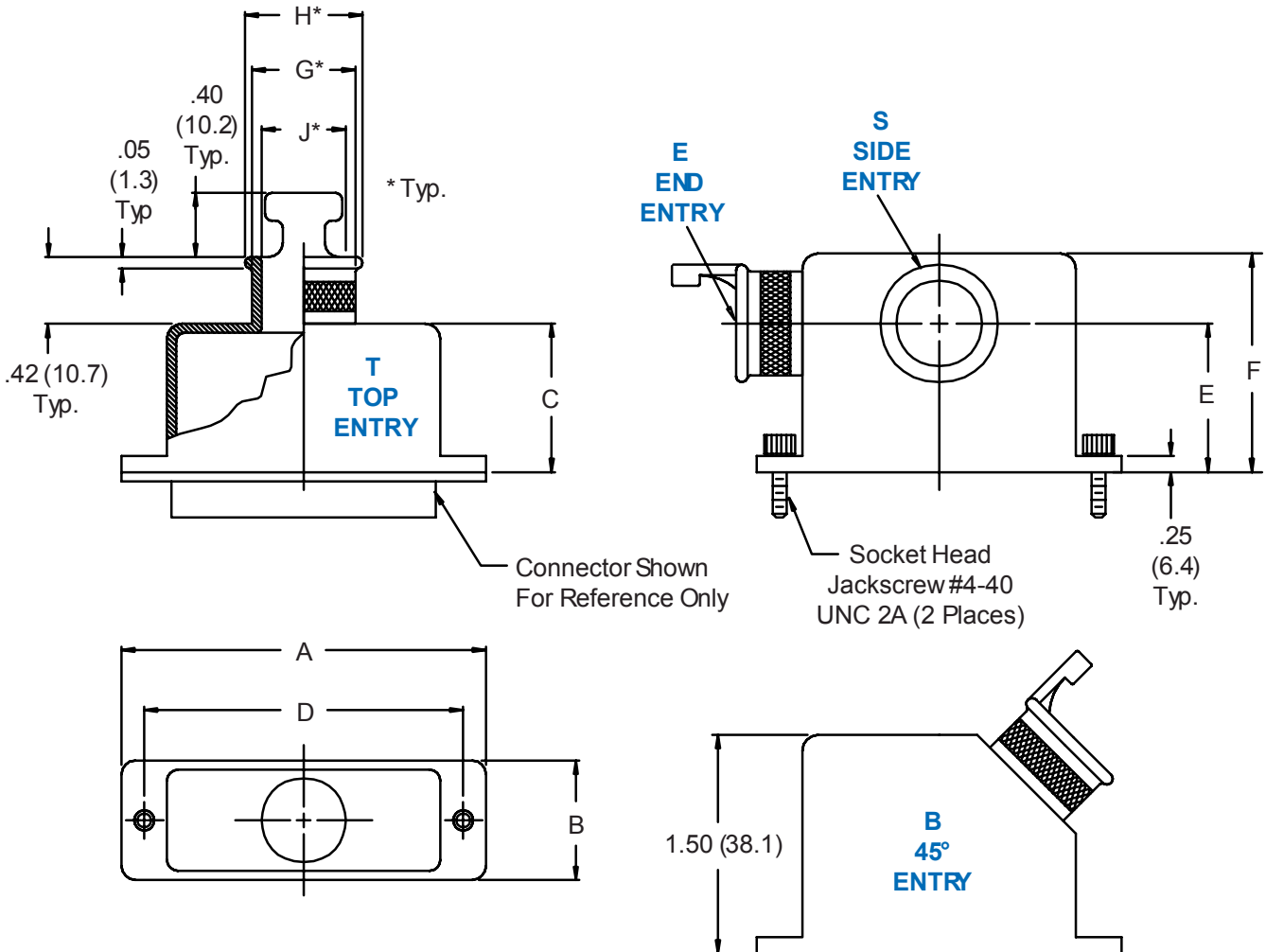


**557-113**  
**D-Subminiature Solid**  
**Banding Backshell With Qwik-Ty®**

**557 T 113 M 2 31 B**

Basic Part No. | B = Band Supplied (600-052), Omit for None  
 Cable Entry Style | Cable Entry (Table II)  
 T = Top | Shell Size (Table I)  
 S = Side | Finish Symbol (Page 3)  
 B = 45° | Basic Part Number



**557-113**  
**D-Subminiature Solid**  
**Banding Backshell With Qwik-Ty®**



MIL-DTL-24308  
D-Subminiature

**TABLE I: SHELL SIZE, BACKSHELL & CONNECTOR INTERFACE DIMENSIONS**

Shell Size	A Max	B	C	D		E	F
				±.005	(.1)		
1	1.25 (31.8)	.53 (13.5)	.75 (19.1)	.984 (25.0)		1.25 (31.8)	1.88 (47.8)
2	1.58 (40.1)	.53 (13.5)	.75 (19.1)	1.312 (33.3)		1.25 (31.8)	1.88 (47.8)
3	2.13 (54.1)	.53 (13.5)	1.00 (25.4)	1.852 (47.0)		1.25 (31.8)	1.88 (47.8)
4	2.77 (70.4)	.53 (13.5)	1.00 (25.4)	2.500 (63.5)		1.25 (31.8)	1.88 (47.8)
5	2.68 (68.1)	.66 (16.8)	1.25 (31.8)	2.406 (61.1)		1.38 (35.1)	2.13 (54.1)

**TABLE II: CABLE ENTRY**

Dash No.	G Dia	H Dia	J Dia
16	.268 (6.8)	.299 (7.6)	.188 (4.8)
23	.330 (8.4)	.361 (9.2)	.250 (6.4)
30	.392 (10.0)	.423 (10.7)	.312 (7.9)
31	.455 (11.6)	.486 (12.3)	.375 (9.5)
32	.517 (13.1)	.548 (13.9)	.438 (11.1)
33*	.642 (16.3)	.673 (17.1)	.562 (14.3)

\* Available in Shell Size 5 only.

Metric dimensions (mm) are indicated in parentheses.

## X-ON Electronics

Largest Supplier of Electrical and Electronic Components

*Click to view similar products for [D-Sub Backshells](#) category:*

*Click to view products by [Glenair](#) manufacturer:*

Other Similar products are found below :

[600X51137X](#) [600X54009X](#) [66241-12A](#) [M85049/6-38N](#) [M85049/86-12N03](#) [M85049/90-13P03](#) [70.350.0636.4](#) [70.350.2435.1](#) [72.350.1035.2](#)  
[72.352.2435.1](#) [73.359.4035.3](#) [829472-1](#) [PCS-E20W](#) [970-015-040R011](#) [971-009-030R121](#) [971-009-040R011](#) [971-015-040R011](#) [DPH-B-003](#)  
[1437013-9](#) [1484402-8](#) [156-3025-EX](#) [16-500800](#) [165X02659X](#) [165X03399A](#) [165X10259X](#) [165X11359X](#) [165X11689X](#) [165X11759X](#)  
[165X11889X](#) [165X11899X](#) [165X13019X](#) [165X13029X](#) [165X13169X](#) [165X13199X](#) [165X13239X](#) [165X13389X](#) [165X13489X](#)  
[165X14219X](#) [165X14429X](#) [165X14449X](#) [165X17409X](#) [165X17439X](#) [165X17569X](#) [165X17599X](#) [165X17609X](#) [165X17979X](#) [L171373](#)  
[971-025-030R121](#) [300X10989X](#) [165X02609X](#)