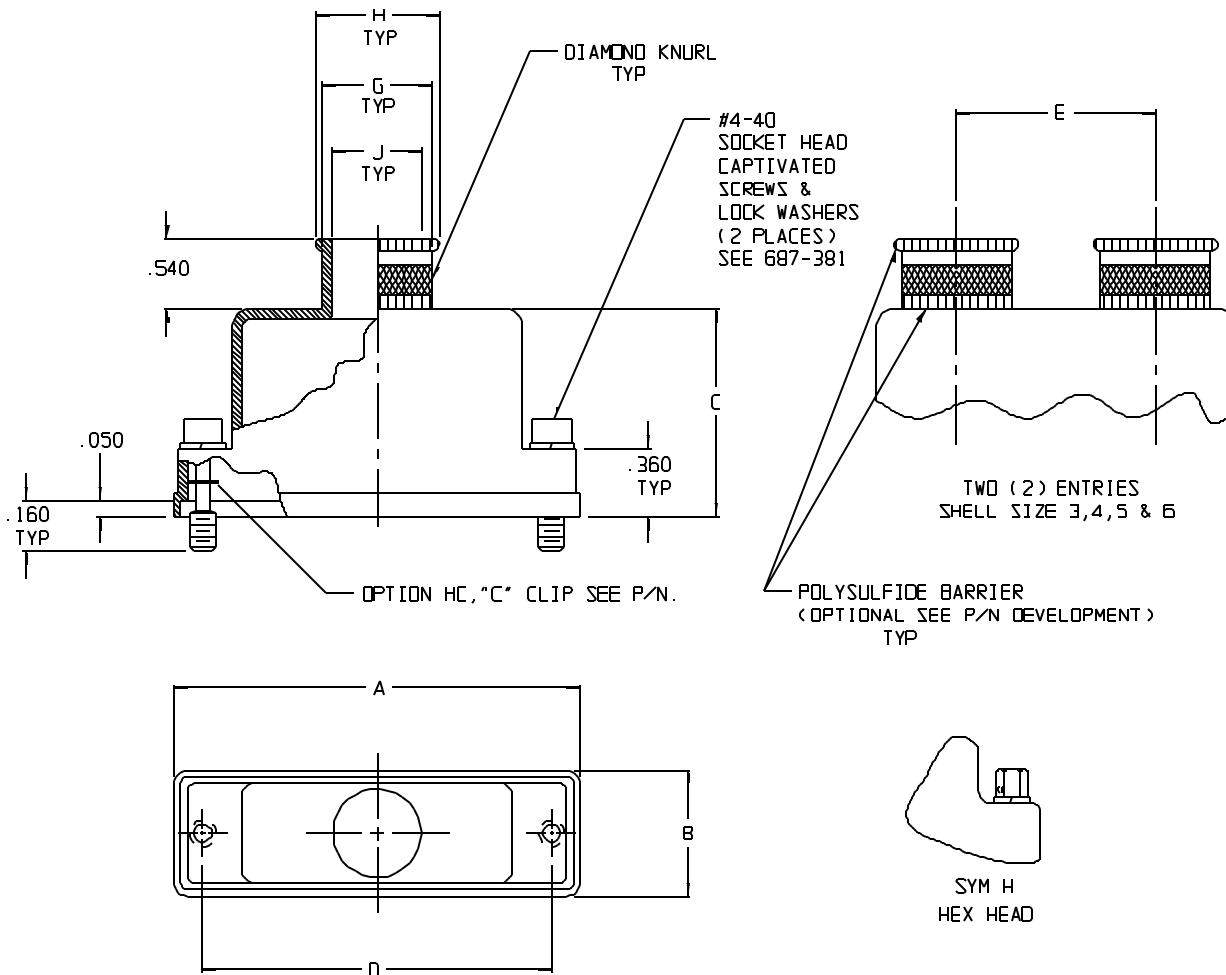
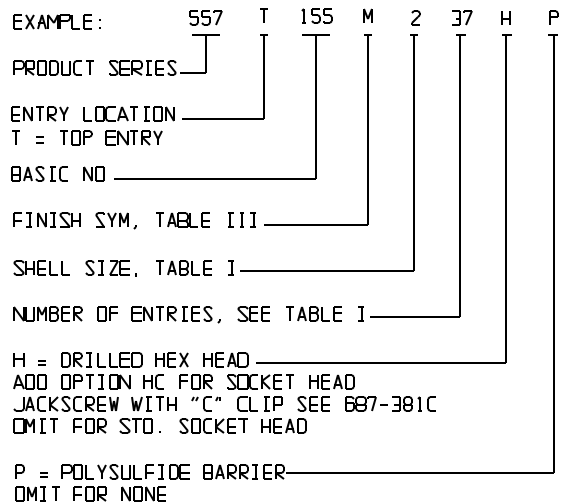


SHELL SIZE	A	B	C	D ± .005	E DIA	MAX DASH NO
1	1.328	.610	.75	.984	/	45
2	1.656	.610	.75	1.312	/	45
3	2.196	.610	1.00	1.852	1.000	45
4	2.844	.610	1.00	2.500	1.250	45
5	2.750	.720	1.25	2.406	1.200	60
6	2.844	.784	1.25	2.500	1.200	60

SYM	FINISH DESCRIPTION	SYM	DESCRIPTION	DATE	APPROVED
M	ELECTROLESS NICKEL	4	PRELIMINARY	11/28/00	

DASH NO	G DIA	H DIA	J DIA
37	.445	.485	.375
45	.520	.560	.450
60	.670	.710	.600

PART NUMBER DEVELOPMENT



NOTES:

- ASSEMBLY IDENTIFIED WITH MANUFACTURER'S NAME AND P/N, SPACE PERMITTING.
- MATERIAL/FINISH:  
BACKSHELL - AL ALLOY/SEE TABLE III  
HARDWARE - CRES/PASSIVATE

UNLESS OTHERWISE SPECIFIED DIMENSIONS ARE IN INCHES TOLERANCES: FRACTIONS ± 1/16 DECIMALS .XX ± .03 .XXX ± .015 ANGLES ± 2°	DRAWN T. LE 08/19/95	<b>GLENAIR, INC.</b> CAD 1995 <sup>©</sup> 1211 AIR WAY - GLENDALE - CALIFORNIA 91201		
	CHECK P. DAKES 08/19/95			
	ENGR R. PAINTER 08/19/95	BACKSHELL, RFI/EMI, SPECIAL PURPOSE FOR MIL-C-24308 CONNECTORS		
DO NOT SCALE THIS DRAWING	RELEASE DATE 08/20/96 ORIGINAL RELEASE DATE	CODE IDENT. NO. 06324	SIZE C	REV. 4
B/F 3132 P/C 557	NON REPARABLE COMMERCIAL ITEM	SCALE N/A	WEIGHT N/A	SHEET 1 OF 1

## X-ON Electronics

Largest Supplier of Electrical and Electronic Components

*Click to view similar products for [D-Sub Backshells](#) category:*

*Click to view products by [Glenair](#) manufacturer:*

Other Similar products are found below :

[600X51137X](#) [600X54009X](#) [66241-12A](#) [M85049/6-38N](#) [M85049/86-12N03](#) [M85049/90-13P03](#) [70.350.0636.4](#) [70.350.2435.1](#) [72.350.1035.2](#)  
[72.352.2435.1](#) [73.359.4035.3](#) [829472-1](#) [PCS-E20W](#) [970-015-040R011](#) [971-009-030R121](#) [971-009-040R011](#) [971-015-040R011](#) [DPH-B-003](#)  
[1437013-9](#) [1484402-8](#) [156-3025-EX](#) [16-500800](#) [165X02659X](#) [165X03399A](#) [165X10259X](#) [165X11359X](#) [165X11689X](#) [165X11759X](#)  
[165X11889X](#) [165X11899X](#) [165X13019X](#) [165X13029X](#) [165X13169X](#) [165X13199X](#) [165X13239X](#) [165X13389X](#) [165X13489X](#)  
[165X14219X](#) [165X14429X](#) [165X14449X](#) [165X17409X](#) [165X17439X](#) [165X17569X](#) [165X17599X](#) [165X17609X](#) [165X17979X](#) [L171373](#)  
[971-025-030R121](#) [300X10989X](#) [165X02609X](#)